

# OONO<sup>®</sup>

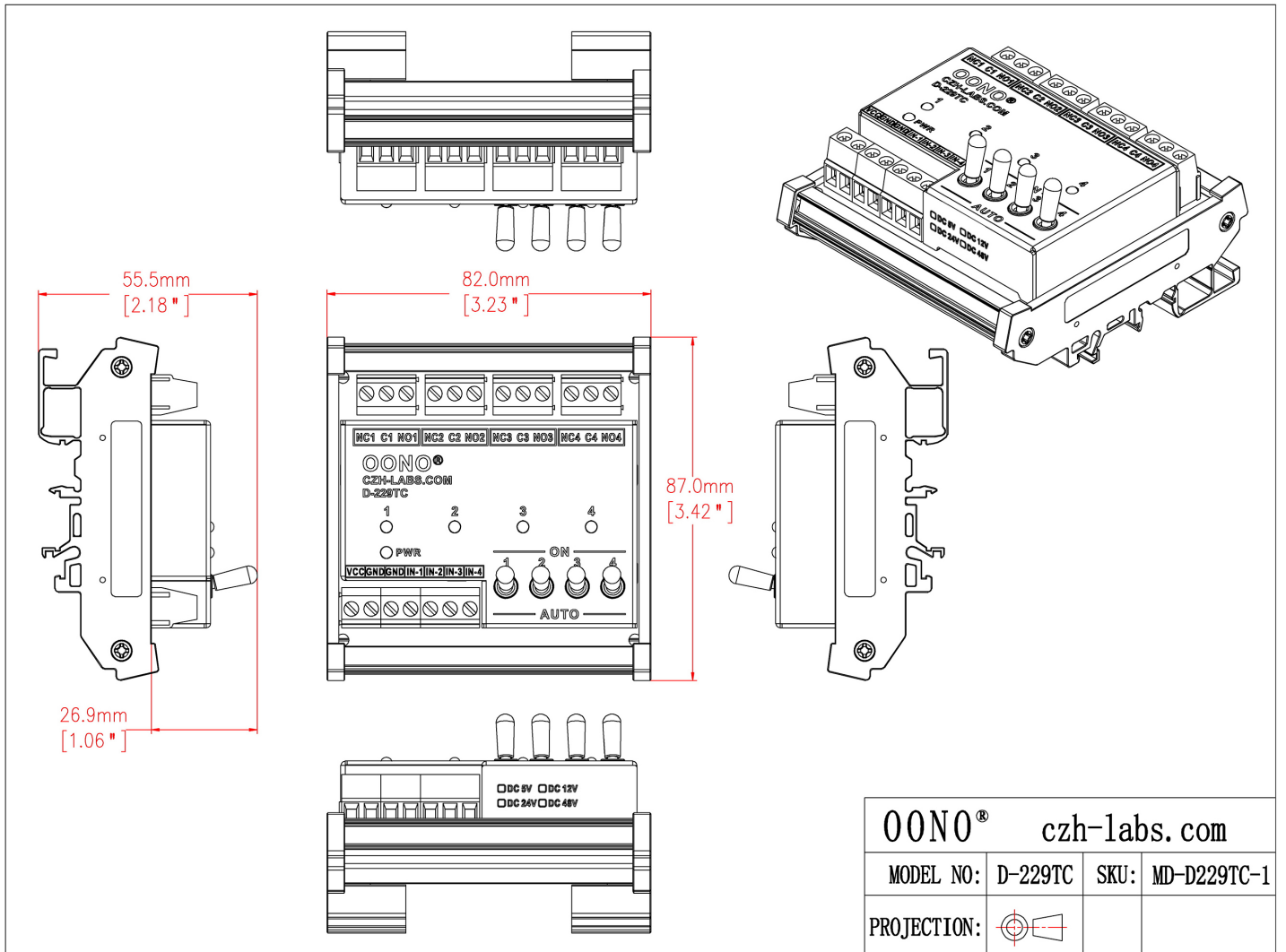
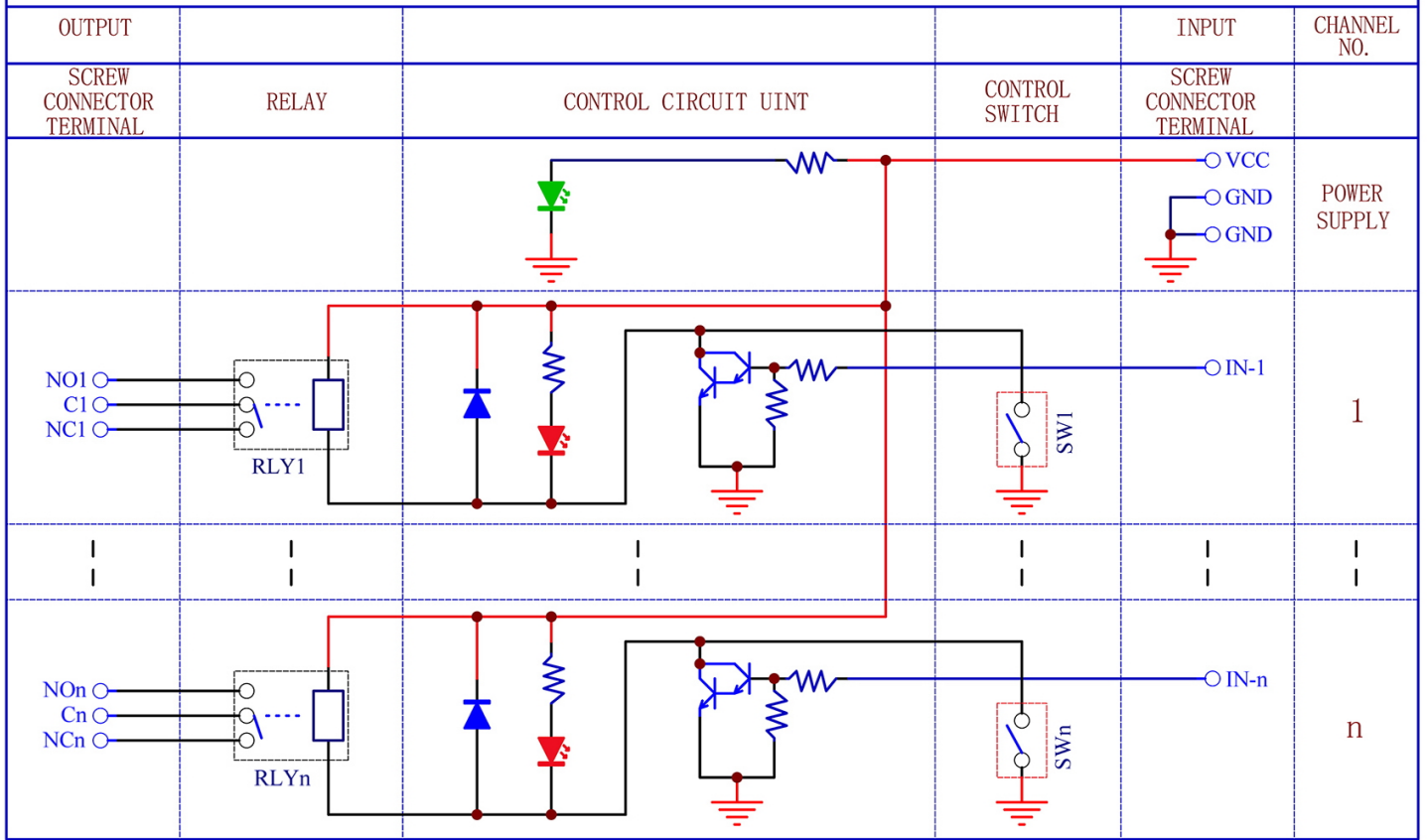
## CZH-LABS.com

**DIN Rail Mount 4 Channel SPDT 10 Amp  
Power Relay Module, with Direct Control Switches**

**Model: D-229TC Series**



# SCHEMATIC



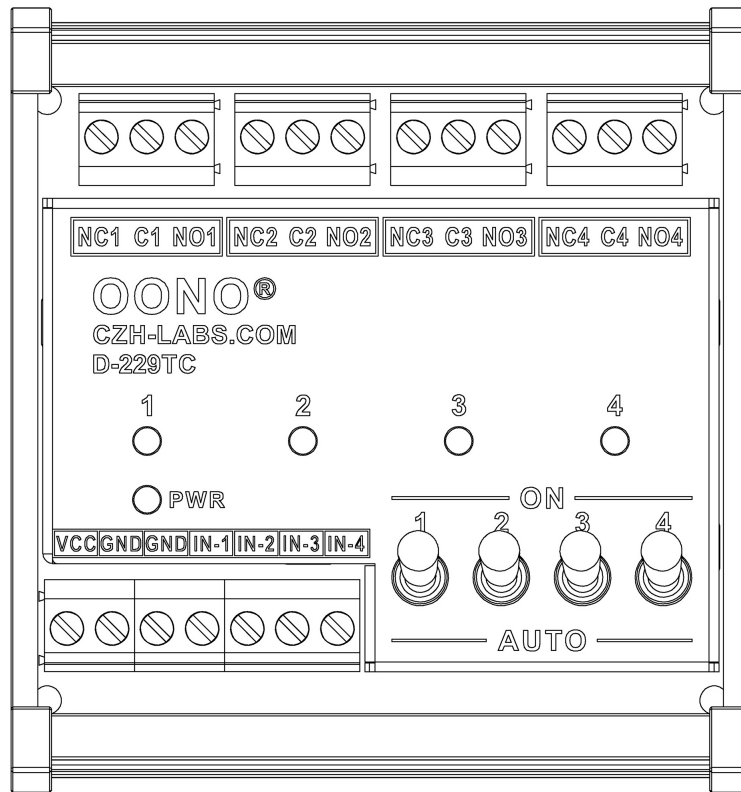
## Features:

- DIN rail mount 4 channel SPDT 10Amp power relay module. Supports control by Raspberry-Pi, Arduino, ESP32, STM32, MCU, DSP, PLC etc.
- Each channel has a direct control switch. Even without a controller, the relay can be controlled by these toggle switches. When the switch is set to ON, the relay action. When the switch is set to AUTO, the relay no action. If an external controller is connected, setting the switch to AUTO will accept GPIO control from the external controller.
- Each channel has a relay status indicator light, and the green PWR indicator light indicates the power supply VCC. This module must be connected to the power supply VCC (version DC 5V, 12V, 24V or 48V), otherwise any control will be invalid.
- Terminal blocks: Pitch 5.0mm/0.197", Wire range 26AWG - 12AWG / 2.5mm square. Rated current 16 Amp. Strip length 7mm. Screws M2.5
- High quality fireproof nylon material DIN rail mount carrier, can support width 35mm, 32mm or 15mm rail.
- Aluminum top cover and laser marking. If you buy in bulk, we can support marking custom logo and other content.
- UL CE CQC certified terminal blocks. UL 94-V0 certified PCB, and UL CE certified DIN rail mount carrier.

## Characteristic Parameters:

Version / SKU	D-229TC/5V	D-229TC/12V	D-229TC/24V	D-229TC/48V
Operating voltage (VCC)	4 - 6.5VDC	10 - 15VDC	20 - 30VDC	40 - 60VDC
Operating current (relay all action)	350mA	200mA	120mA	40mA
Operating current (relay all no action)	0.04mA	0.08mA	0.16mA	0.32mA
<b>Control signal input</b>				
Low level (Relay no action)	0V - 0.5V			
High level (Relay action)	2.5V - 32V			
High level current	0.1mA at 2.5V 0.4mA at 5V 1.1mA at 12V 2.2mA at 24V		0.4mA at 2.5V 1.0mA at 5V 2.4mA at 12V 5.0mA at 24V	
<b>Output (relay switch) contact rating</b>				
For AC	Rated voltage 277V. Rated current 10Amp (N/O), 5Amp (N/C)			
For DC	Rated voltage 28V. Rated current 10Amp (N/O), 5Amp (N/C)			

## Wire Connect:



**VCC:** Operating power supply input (V+).

**GND:** Operating power supply 0V(ground), and Control signal input 0V(ground).

**IN-x:** Control signals input.

**NOx:** Relay switch normally open terminal.

**NCx:** Relay switch normally close terminal.

**Cx:** Relay switch common terminal.

## Terminal Block:

Pitch 5.0mm/0.197" screw terminal block.

Wire range 24AWG - 12AWG / 2.5mm<sup>2</sup>

Strip length 7mm.

Screws - M2.5, steel, Cr3+ Zn plated.

Pin header and Cage - Brass.