

HCDC®
xikentech.com

Automatic Vacuum Switch
Automatic Dust Control Switch

Model: HD059



IMPORTANT !

- THIS MODULE OPERATES ON A HAZARDOUS VOLTAGE !
- DISCONNECT AC POWER DURING INSTALLATION !
- Installation must be done according to local regulations and standards. If any doubt, consult a licensed technician.
- This module is not suited for portable applications.

FEATURES:

- Automatically turn on and turn off the power of the dust collector, allowing you to focus on your work without having to repeatedly manually operate the power switch. The design is based on a microcontroller and a sophisticated power detection IC, making the product more intelligent and friendly. This product has the power-on self-test, and the power-down memory function of triggering power and delay time settings, avoid resetting each time in the future. When you start to use the tool, the dust collector will turn on with a delay of 1 second to avoid overloading and tripping of the power circuit.
- Operating voltage AC 100 to 130V(60Hz). Maximum current 15 Amp. Maximum load 1800 Watts. Length 19 inch (0.5 meter) power cable, UL-certified American Standard 14AWG (2.08 square millimeter) x 3 cores.
- The working mode of the dust collector AUTO - RUN - STOP can be manually selected. It will be in AUTO mode every time it is powered on. If you want the dust collector to work continuously or stop for a long time without being affected by the operation of the tool, you can press the MODE button to select the desired working mode.
- The threshold power of the trigger tool to start the dust collector can be selected from 30 - 60 - 90 Watts. This function has a power-down memory function, and it does not need to be set again when the power is turned on next time.
- The delay time for shutoff can be configured 5 - 15 - 60 Seconds, after the tool is stopped, the dust collector can continue to clearing the remaining dust and residue. This function has a power-down memory function, and it does not need to be set again when the power is turned on next time.

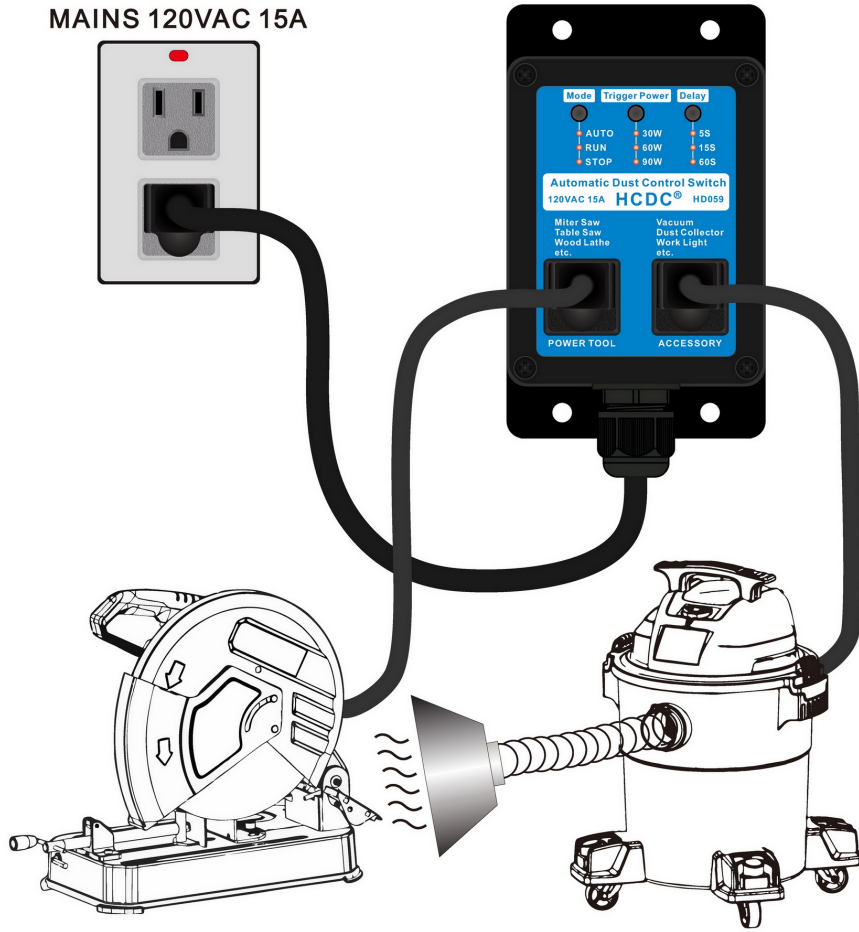
SPECIFICATIONS:

- AC power:110 to 130VAC (60Hz)
- Maximum total current:15 Amps
- Maximum load:1800 Watts
- Mode button:AUTO - RUN - STOP, Can be set cyclically.
- Trigger power:30W - 60W - 90W, Can be set cyclically.
- Delay time:5S - 15S - 60S, Can be set cyclically.

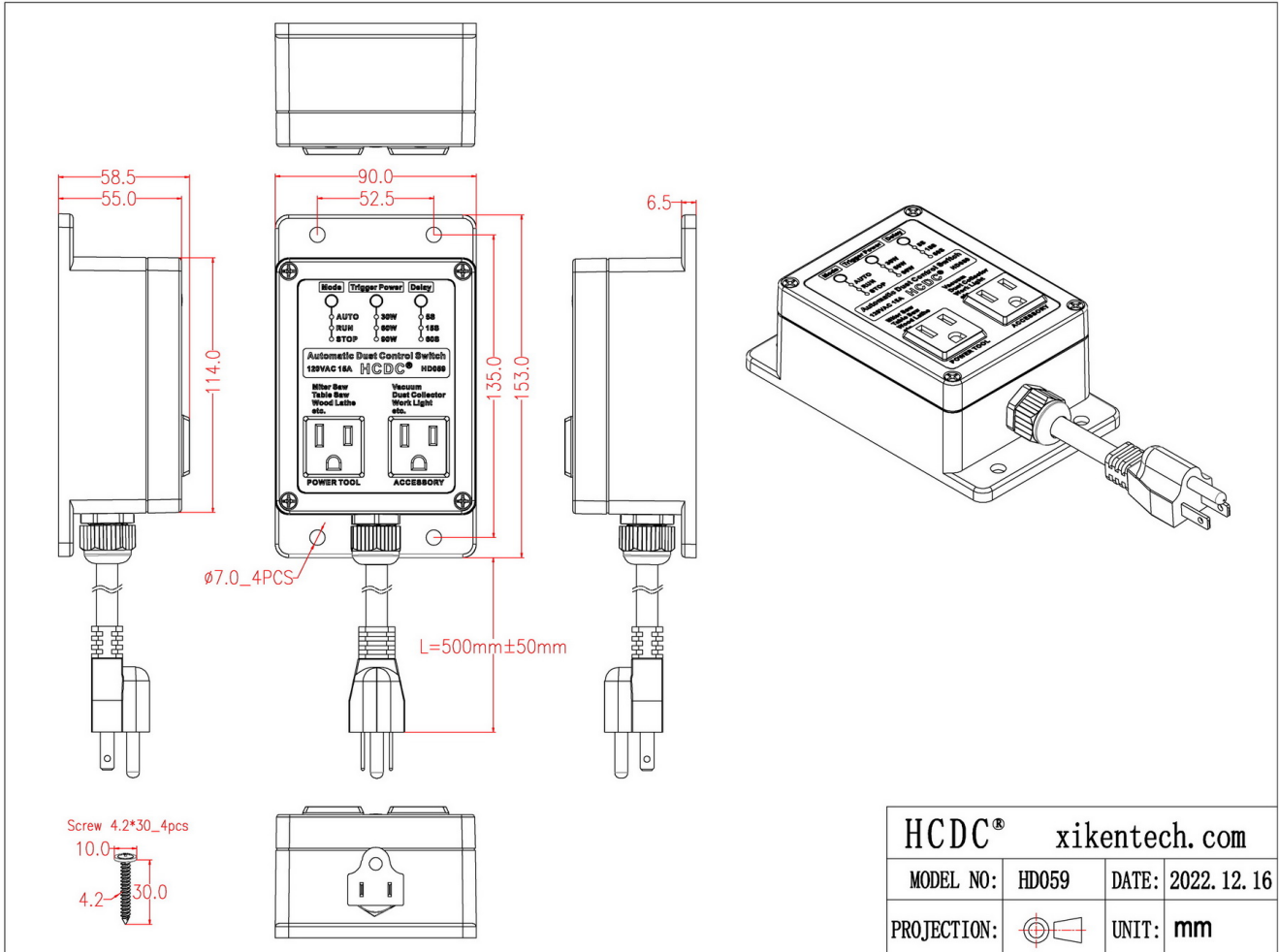
Regarding the first-time use setting:

- 1, Turn off your mains socket power
 - 2, Plug in the power plug into the mains socket. Plug in saw power plug into the POWER TOOL socket. Plug in dust collector power plug into the ACCESSORY socket.
 - 3, Turn on your mains power (**NOTE: At the same time, the POWER TOOL will be turned on**).
 - 4, After the product is automatically detected for 5 seconds, Mode function default is AUTO, please set Trigger Power to 30W, and set Delay to 5S.
 - 5, At this time, you can try to operate the tool and observe whether the dust collector works and stops correctly. If not, please adjust the trigger power to 60W or 90W until the dust collector works and stops normally.
 - 6, According to your needs, set the delay time to 5, 15 or 60 seconds.
- This product has a power-off memory function. If you do not change your tools or dust collector, you will not need to set it again next time it is powered on.

TYPICAL CONNECTION DIAGRAM:



DIMENSIONS:



DANGER !!!

- Do not open the housing in order to avoid the risk of electroshocks.
- This module operates on a dangerous AC voltage !
- All repairs should be executed by qualified technicians.
- Avoid the installation of the module in locations with standing or running water or excessive humidity.
Indoor use only !

SAFETY INSTRUCTIONS !!!

- Do not attempt to disassemble the unit as it does not contain any parts that are to be serviced by the user. (Tampering voids warranty)
- Do not touch unused terminals when the module is connected to the AC power.
- Handle the module gently and carefully. Dropping it can damage the circuit board and case.
- Never exceed the protection limit values indicated in the specifications.
- As safety requirements vary, please check with your local authorities.
- No objects or liquids should be allowed to penetrate the housing.
- Please make sure that the device is installed in a ventilated environment, please do not use it in a confined environment.
- Disconnect the module from the AC power before connecting new devices.
- Wipe the device with a dry and clean cloth. Do not use detergents or other liquids that may damage the housing.
- Keep the device away from children.
- Facilitate the operation of the device by familiarising yourself with its adjustments and indications.
- HCDC and Xiken-Tech modules are not suitable for use or as part of life support systems, or systems that might create hazardous situations of kind.