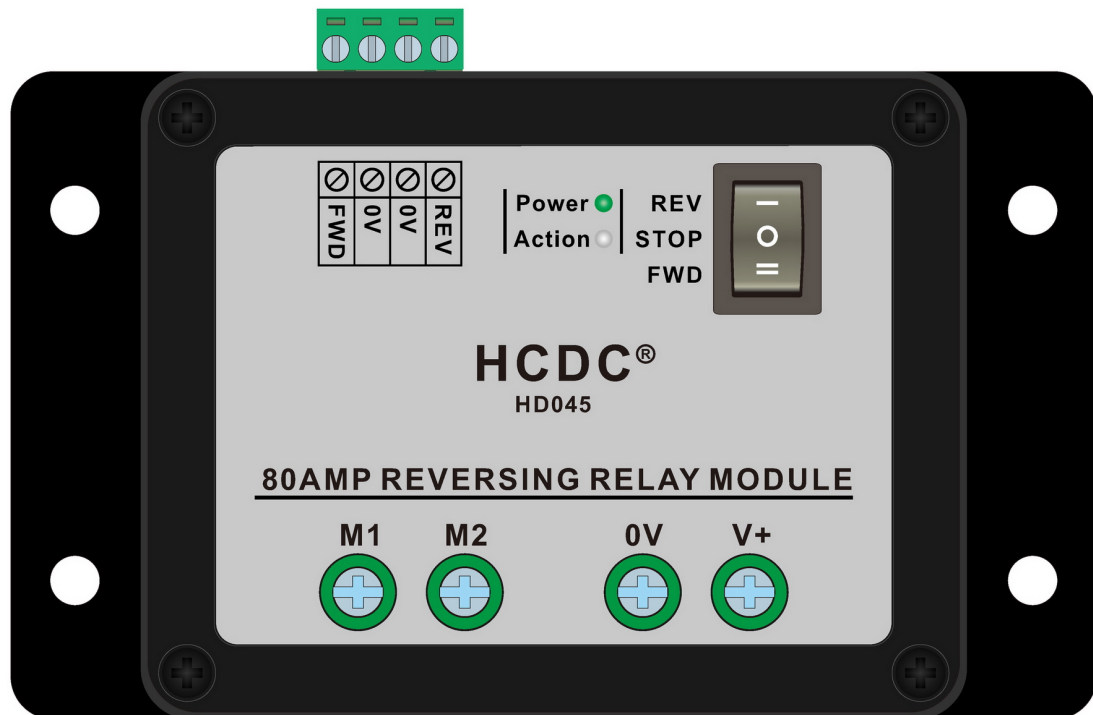


# HCDC<sup>®</sup>

## Xikentech.com

**80 Amp Reversing Relay Module**  
**Model: HD045 Series (DC 12V 24V version)**



## Features:

- **Reversing relay module. Powers any 2 wires reversing DC motor equipment, can be used for any application that requires the ability to reverse motion.**
- **With a rocker switch(self-holding) for Forward / Stop / Reverse function. Compact plastic case and screw terminal blocks connect for easy mount.**
- **Support external connect Momentary-action(Self-resetting) switch or Alternate-action (Self-holding) switch. For Self-resetting switch, when the switch is pressed the motor operates, and when the switch is released the motor stops.**
- **With power indicator LED. With forward and reverse status indicating LED, forward status lighting red, reverse lighting green.**
- **Rated current 80 Amp, Voltage DC 12V or 24V version selectable.**

## Specifications::

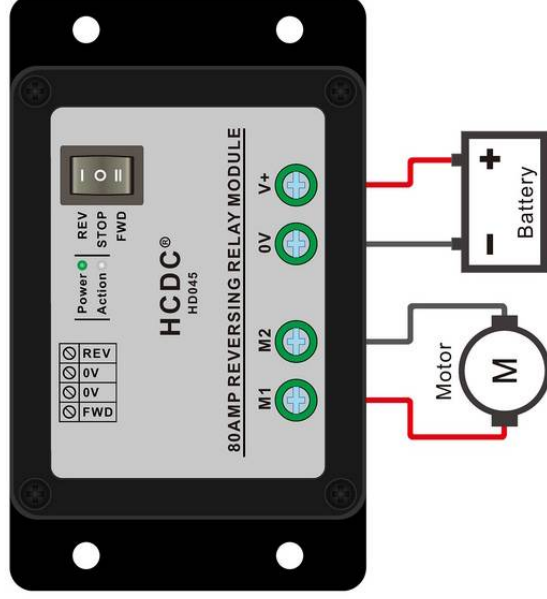
	HD045 12V	HD045 24V
Operating voltage	10 ~ 15V DC	20 ~ 30V DC
Switch short current	150mA @12V	75mA @24V
Switch disconnect voltage	= V+	
Load rated current	80A	
Static current consumption	< 0.5mA (for power on LED)	

## Action Status:

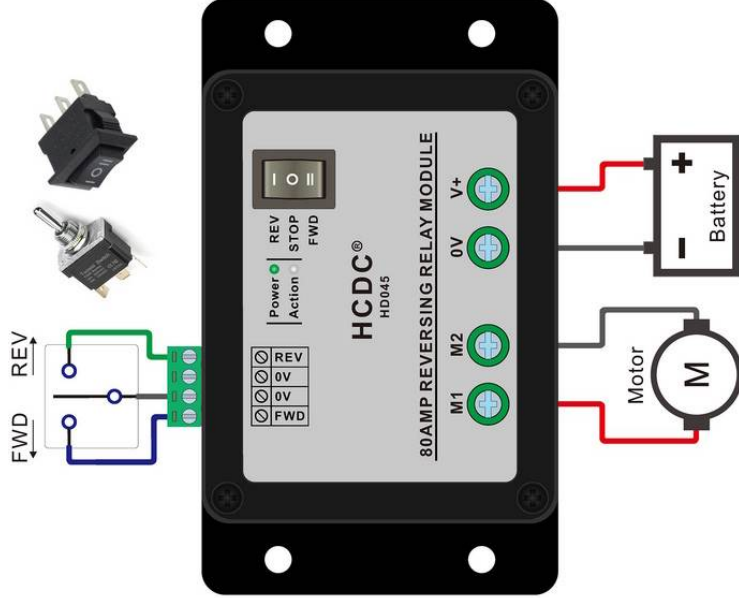
FWD Switch	REV Switch	M1 Voltage	M2 Voltage	Motor Status
Disconnect	Disconnect	0V	0V	Stop
Connect	Disconnect	V+	0V	Forward
Disconnect	Connect	0V	V+	Reverse
Connect	Connect	V+	V+	Stop

# Connection Diagram:

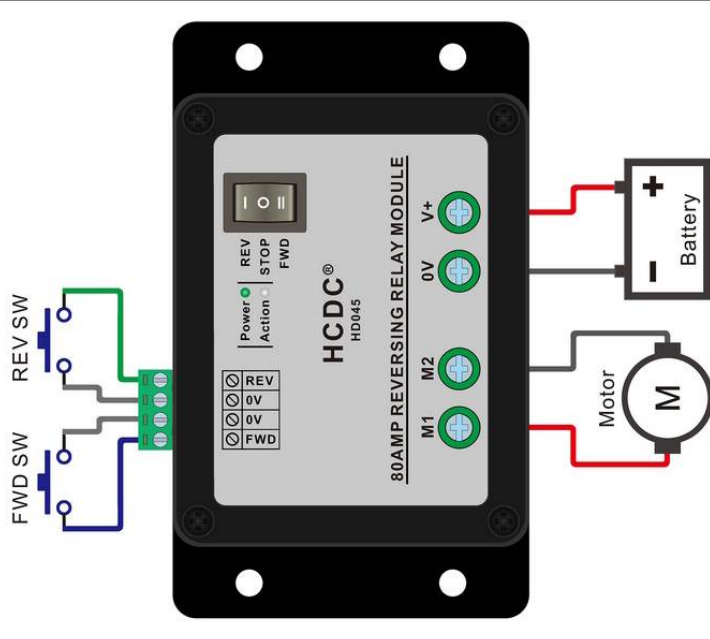
## No Remote External Switch



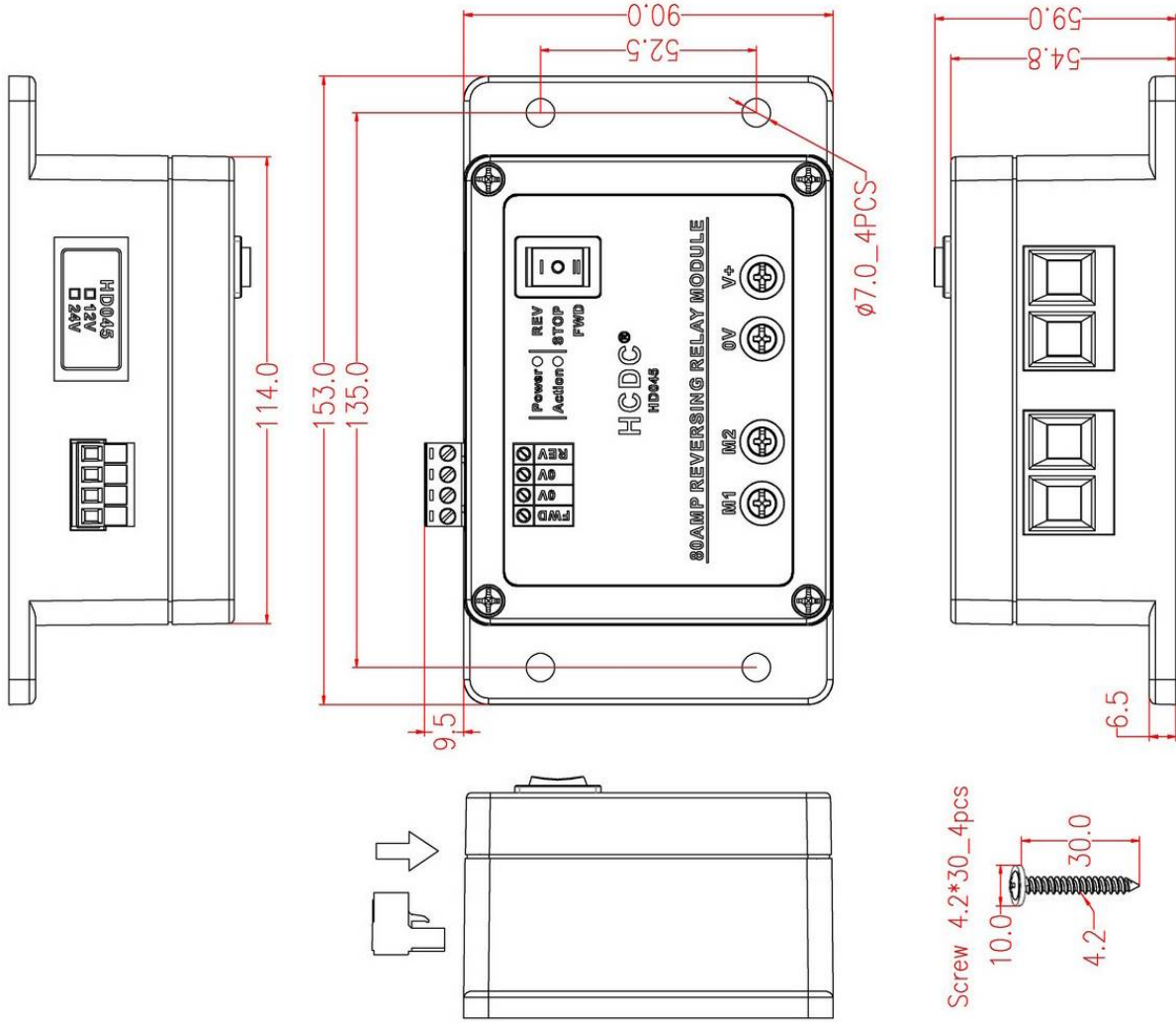
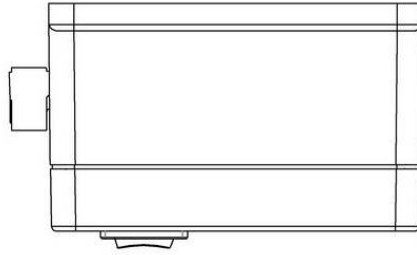
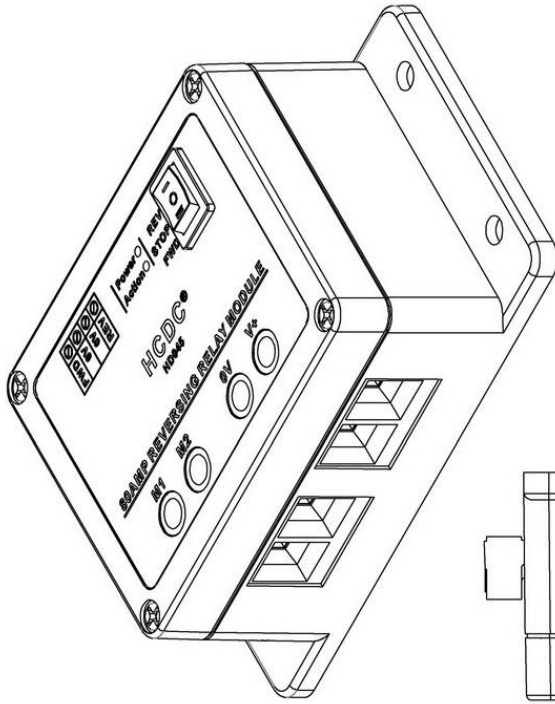
## For Alternate-action switch (self-holding)



## For Momentary-action switch (self-resetting)



# Dimensions:



HCDC® xikentech.com

MODEL NO: HD045      DATE: 2022.06.29

PROJECTION:  UNIT: mm