

HCDC[®]

xikentech.com

10 Amp Reversing Relay Module
Model: HD044 Series (5V 12V 24V version)



Features:

- **Reversing relay module. Powers any 2 wires reversing DC motor equipment, can be used for any application that requires the ability to reverse motion.**
- **With Forward and Reverse buttons (momentary type, release button action to stop). Compact plastic case and screw terminal block connect for easy mount.**
- **Support external connect Momentary-action(Self-resetting) switch or Alternate-action (Self-holding) switch. For Self-resetting switch, when the switch is pressed the motor operates, and when the switch is released the motor stops.**
- **With power indicator LED. With forward and reverse status indicating LED, forward status lighting red, reverse lighting green.**
- **Rated current 10 Amp, Voltage DC 5V 12V 24V version selectable.**

Specifications::

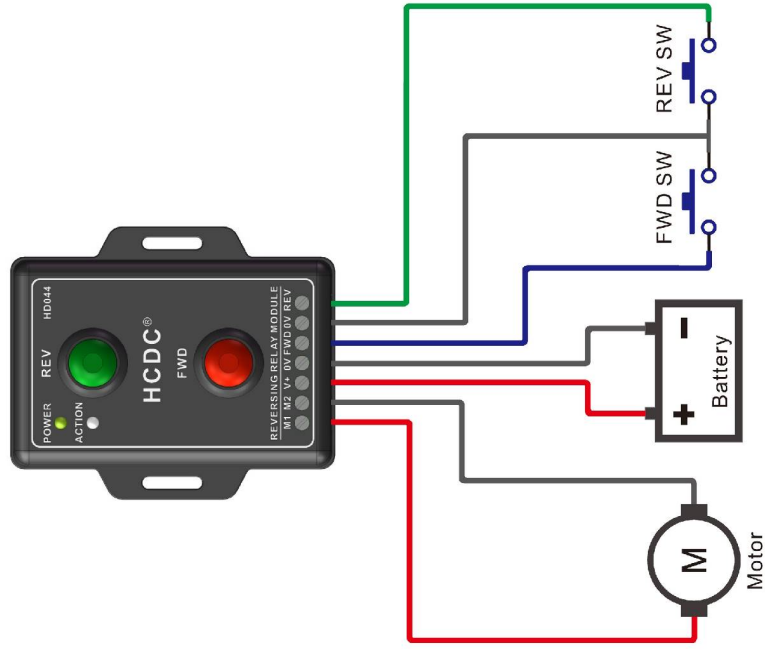
| | HD044 5V | HD044 12V | HD044 24V |
|---------------------------|-------------|-------------|-------------|
| Operating voltage | 4 ~ 6.5V DC | 10 ~ 15V DC | 20 ~ 30V DC |
| Switch short current | 72mA @5V | 30mA @12V | 15mA @24V |
| Switch disconnect voltage | = V+ | | |
| Load rated current | 10A | | |

Action Status:

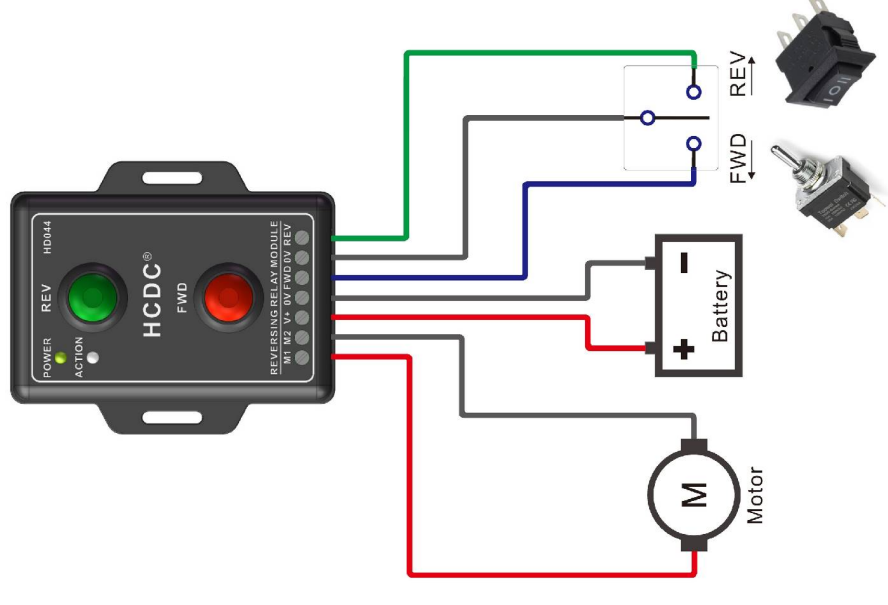
| FWD Switch | REV Switch | M1 Voltage | M2 Voltage | Motor Status |
|------------|------------|------------|------------|--------------|
| Disconnect | Disconnect | 0V | 0V | Stop |
| Connect | Disconnect | V+ | 0V | Forward |
| Disconnect | Connect | 0V | V+ | Reverse |
| Connect | Connect | V+ | V+ | Stop |

Connection Diagram:

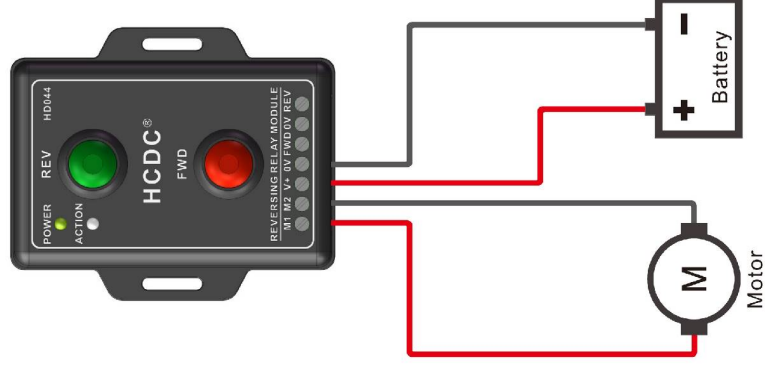
For Momentary-action switch (self-resetting)



For Alternate-action switch (self-holding)



No Remote External Switch



Dimensions:

