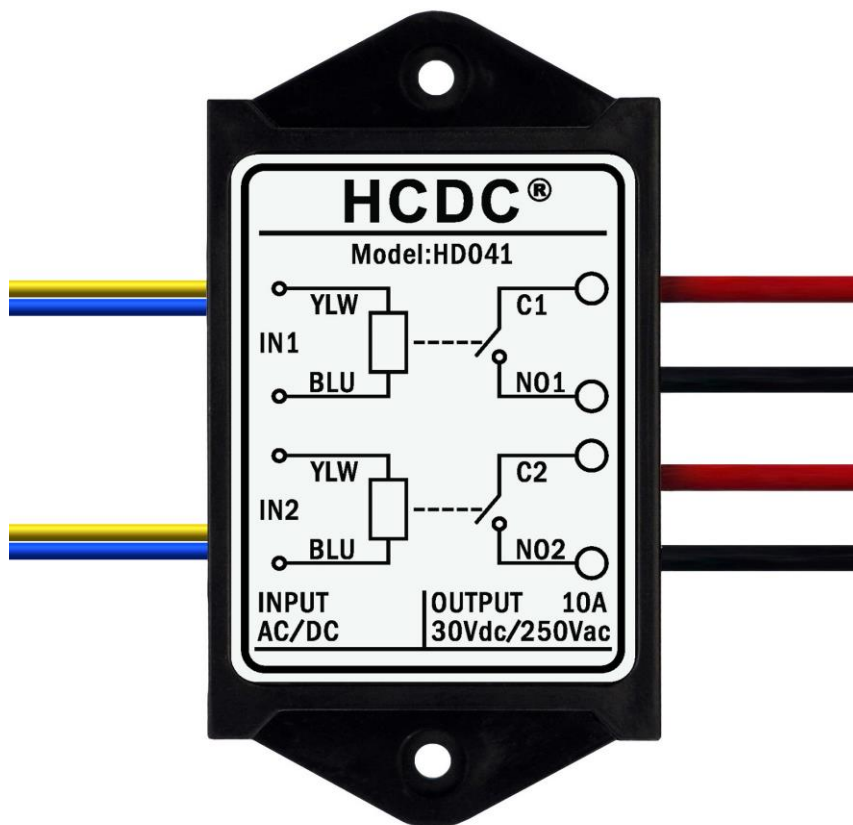


HCDC®

Xikentec.com

Dual SPST-NO 10 Amp Power Relay Module

HD041 series (5V 12V 24V version)



Features:

- Input control support AC and DC signal.
- Compact plastic case and wires connect for easy mount.
- Two separate input and SPST-NO switch circuit, can flexible selection control signal, for separate AC, for separate DC, for source(PNP, common +), for sink(NPN, common -).
- 5V 12V 24V version selectable.

Specifications:

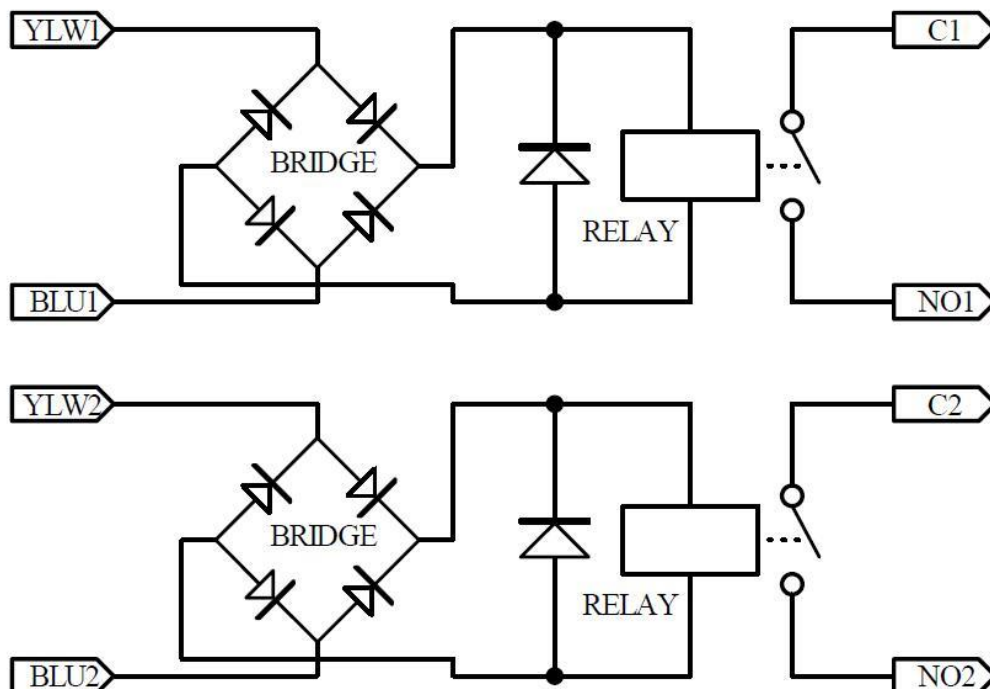
Input control (each channel):

	HD041-5V	HD041-12V	HD041-24V
Action voltage	4 ~ 6.5Vdc or 4 ~ 6.0Vac	10 ~ 15Vdc or 10 ~ 14Vac	20 ~ 30Vdc, or 18 ~ 26Vac
Action current (AC or DC)	72mA @5V	30mA @12V	15mA @24V

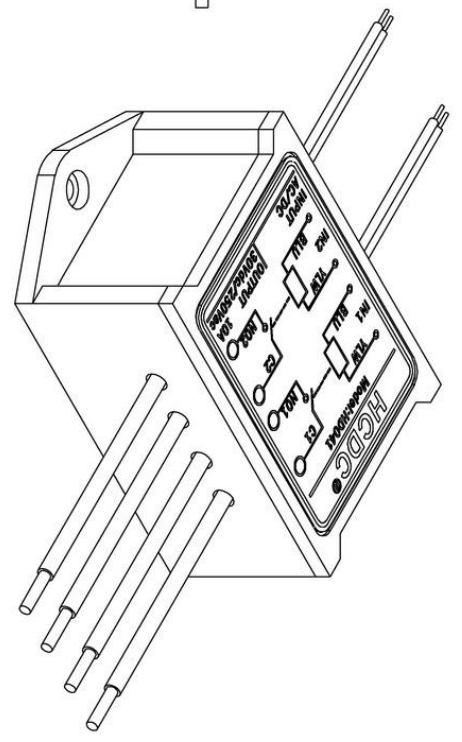
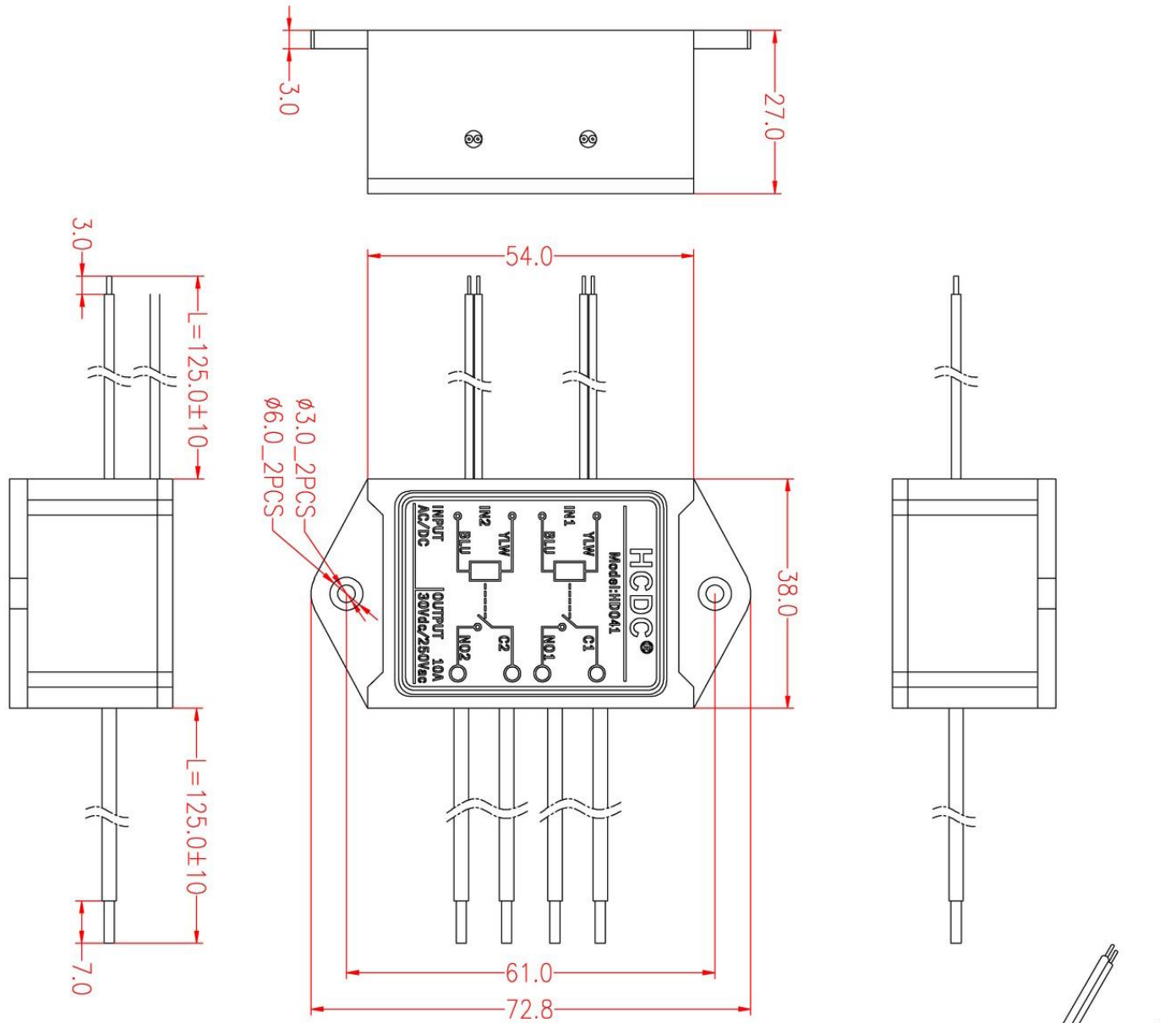
Switch:

	HD041-5V	HD041-12V	HD041-24V
Contact capacity	10A 250VAC, 10A 30VDC (resistive load). 5A 120VAC, 5A 28VDC (inductive load).		
Max. ON/OFF switching	Mechanically: 300 operations / minute. Electrically: 30 operations / minute.		
Life expectancy	Mechanically: > 100,000,000 operations (no load). Electrically: > 1,000,000 operations (at rated coil voltage).		

Schematic:



Dimensions:



HCDC®		Xikentec.com	
MODEL NO:	HD041	DATE:	2022.01.11
PROJECTION:		UNIT:	mm