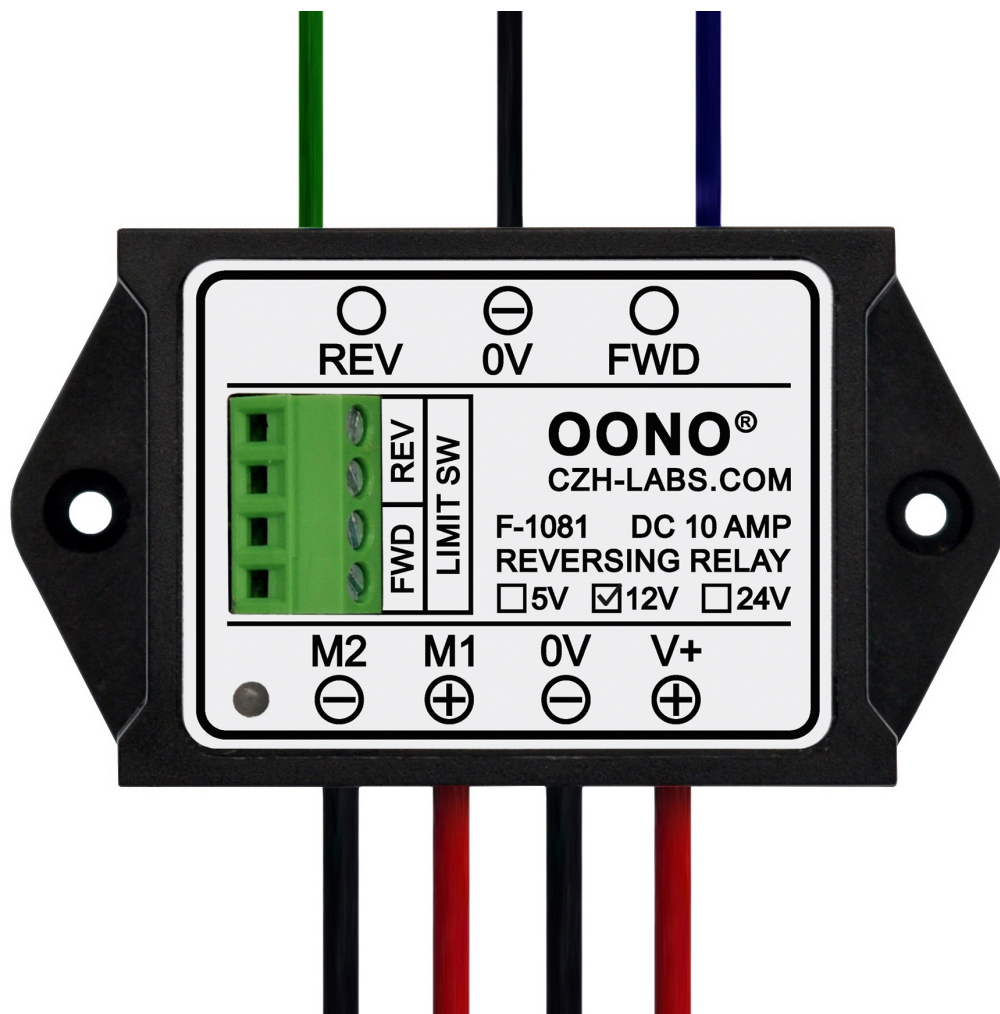


OONO®  
czh-labs.com

10 Amp Reversing Relay Module  
Support Limit Switch

Model: F-1081 series (5V 12V 24V version)



## Features:

- Reversing relay module. Powers any reversing motor equipment, can be used for any application that requires the ability to reverse motion.
- Support Momentary-action(Self-resetting) switch and Alternate-action (Self-holding) switch. For Self-resetting switch, when the switch is pressed the motor operates, and when the switch is released the motor stops.
- Support external connect forward and reverse limit switch function. If you don't need the limit switch function, just short-circuit it.
- Compact plastic case and wires connect for easy mount.
- Forward and Reverse status indicating LED, forward status lighting red, reverse lighting green. When the control switch is not turned on, the module does not consume electric energy.
- Rated current 10 Amp, 5V 12V 24V version selectable.

## Specifications:

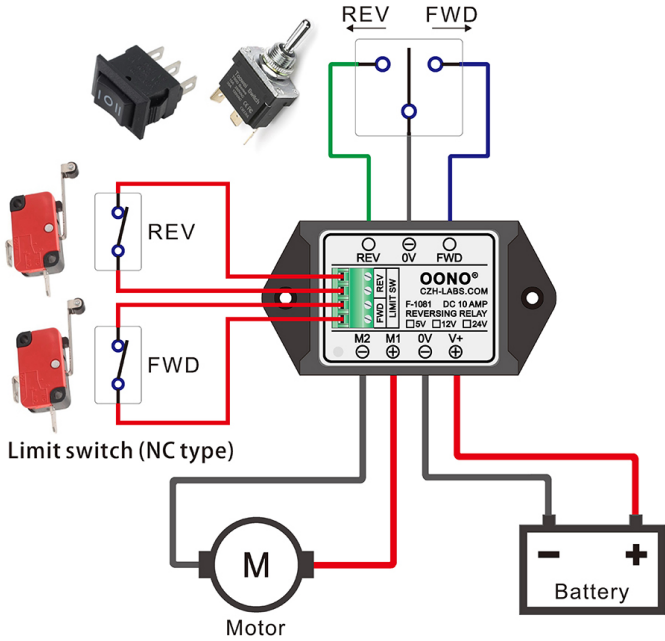
	F-1081 5V	F-1081 12V	F-1081 24V
Operating voltage	4 ~ 6.5V DC	10 ~ 15V DC	20 ~ 30V DC
Switch short current	72mA @5V	30mA @12V	15mA @24V
Switch disconnect voltage	= V+		
Load rated current	10 Amp		
Limit switch disconnect voltage	= V+		
Limit switch short current	< 100mA		

## Action Status:

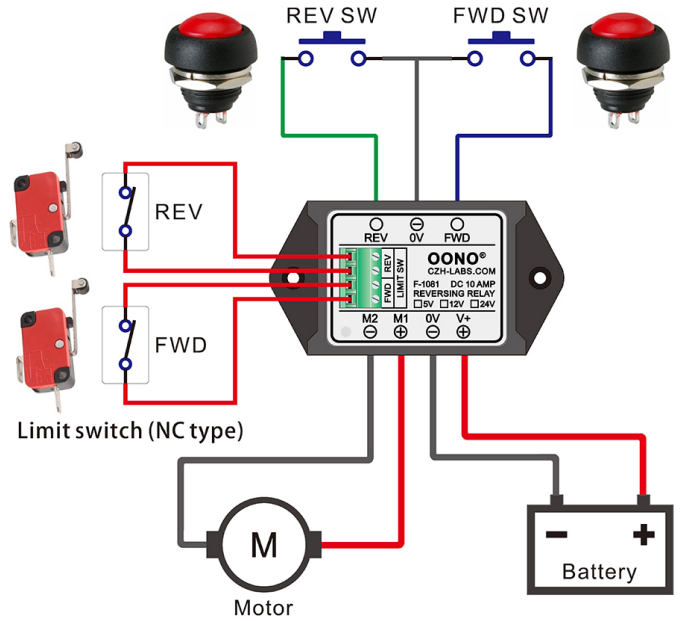
FWD Switch	REV Switch	M1 Voltage	M2 Voltage	Motor Status
Disconnect	Disconnect	0V	0V	Stop
Connect	Disconnect	V+	0V	Forward
Disconnect	Connect	0V	V+	Reverse
Connect	Connect	V+	V+	Stop

# Wiring diagram:

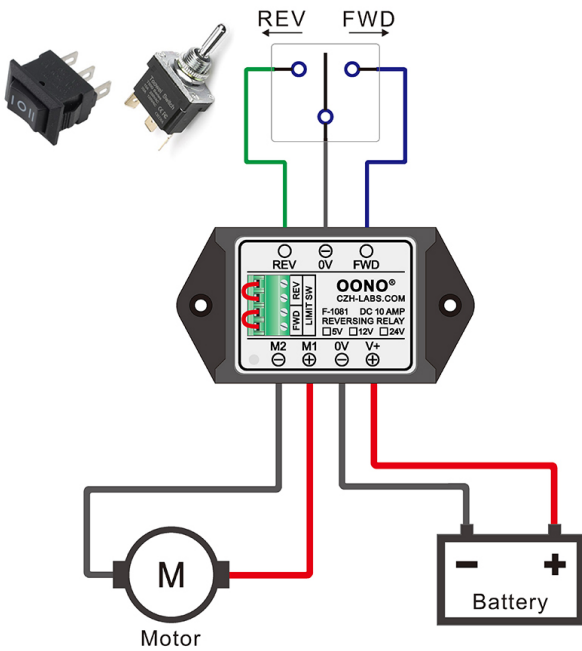
### For Alternate-action (Self-holding) switch and with limit switch function



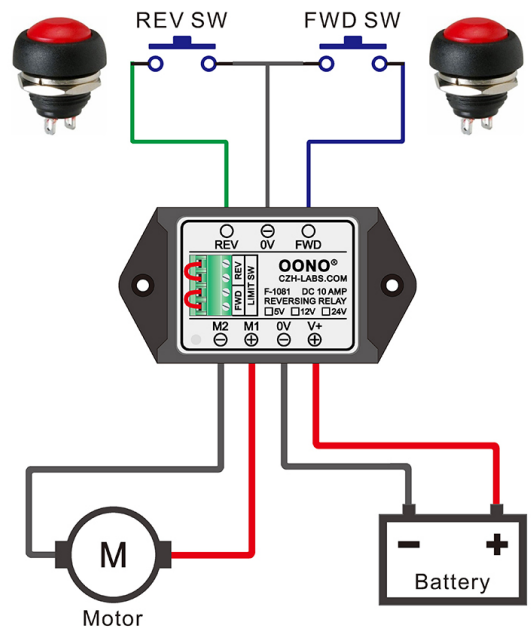
### For Momentary-action (Self-resetting NO type) switch and with limit switch function

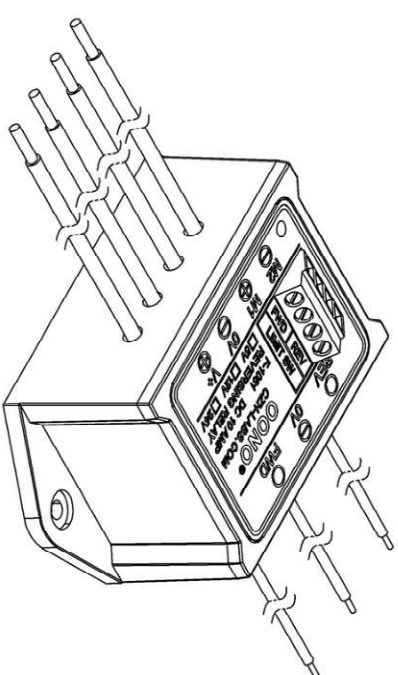
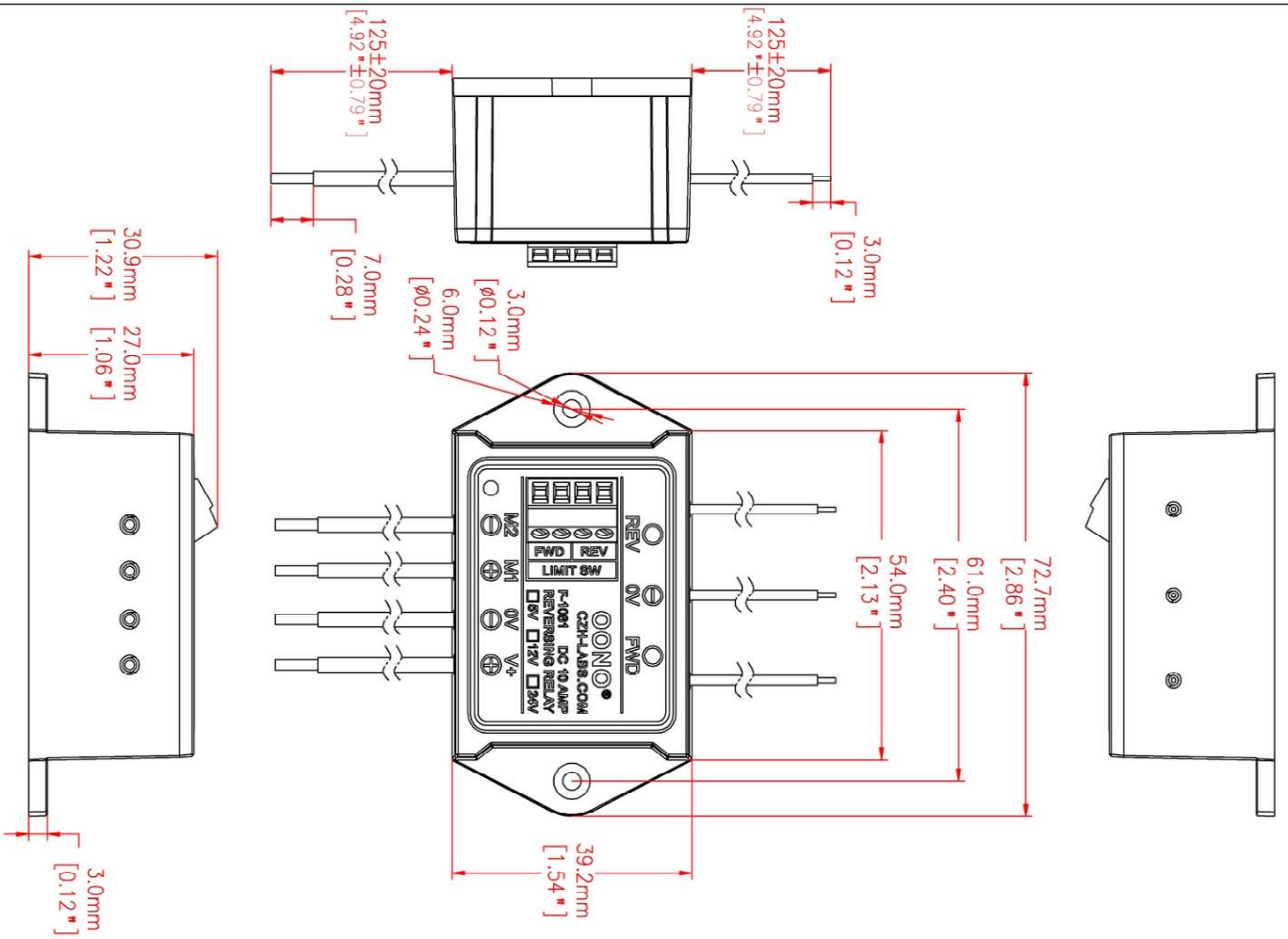


### For Alternate-action (Self-holding) switch and without limit switch



### For Momentary-action (Self-resetting NO type) switch and without limit switch





<b>00N0<sup>®</sup></b>		<b>czh-labs.com</b>	
<b>MODEL NO.:</b>	F-1081	<b>SKU:</b>	MD-F1081-1
<b>PROJECTION:</b>		<b>UNIT:</b>	mm