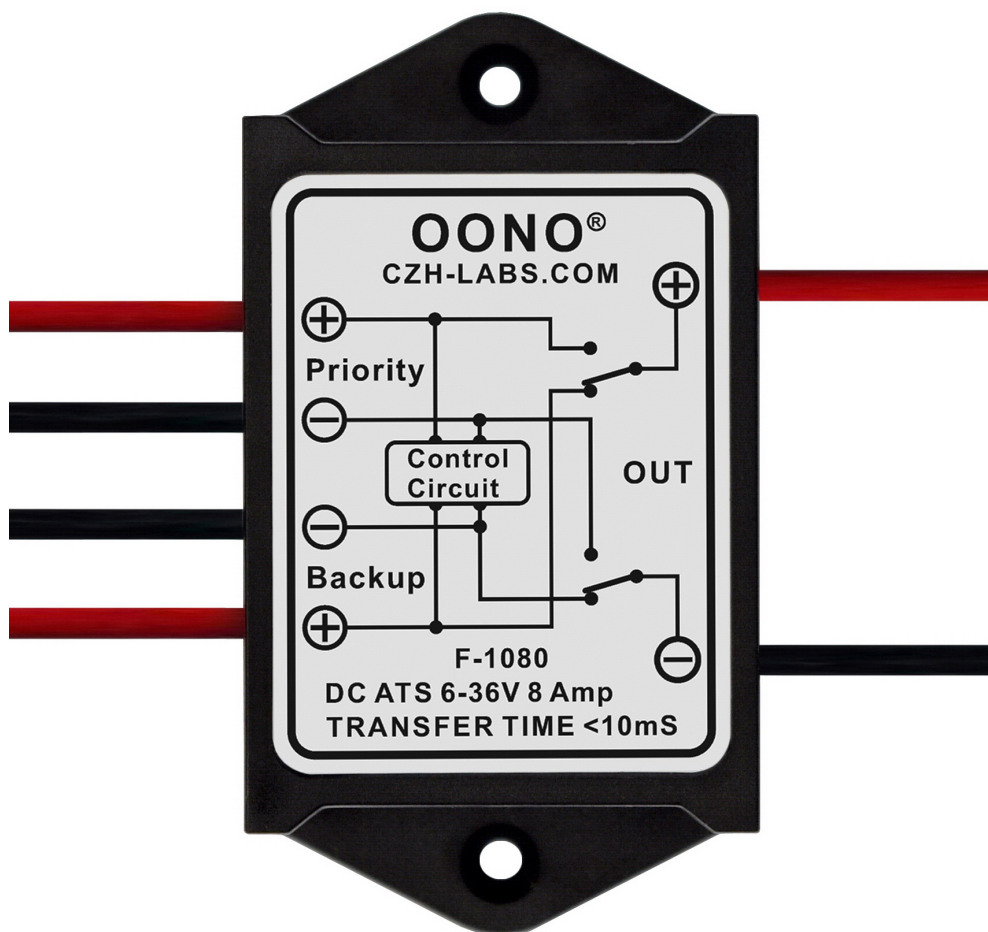


OONO[®]
CZH-LABS.com

DC 6-36V 8 Amp Automatic Transfer Switch

Model: F-1080



Features:

- The OONO F-1080 is a compact and easy-to-install DC power automatic transfer switch module. It features two input sources: a Priority input and a Backup input. Under normal conditions, power is supplied to the load via the Priority input. In the event of a sudden power loss from the Priority source, the module automatically switches to the backup input within 10 milliseconds, ensuring uninterrupted power supply to the load and preventing system downtime.
- Operating voltage DC 6 to 36V. Maximum current 8 Amp.
- Transfer time less than 10mS (normal 5mS). For most smart devices or computers, the switching action of 10mS time will not affect their normal operation.
- Safe DPDT circuit switch design (Double Pole Double Throw). Positive and negative wire are switched at the same time. Priority and Backup input will never be connected together at any time, effectively protecting the safety between input sources and preventing current leakage problems.
- Compact plastic case and wires connects for easy mount. Two screw mounting holes are convenient for you to fix it on the wall or wooden board. Of course, you can also choose not to lock the screw.

SPECIFICATIONS:

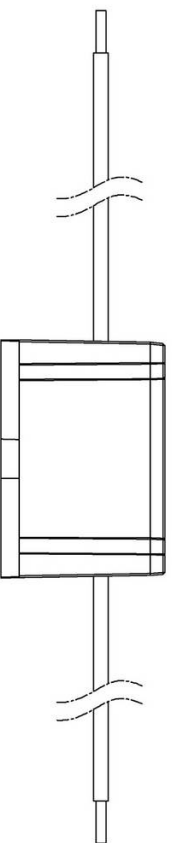
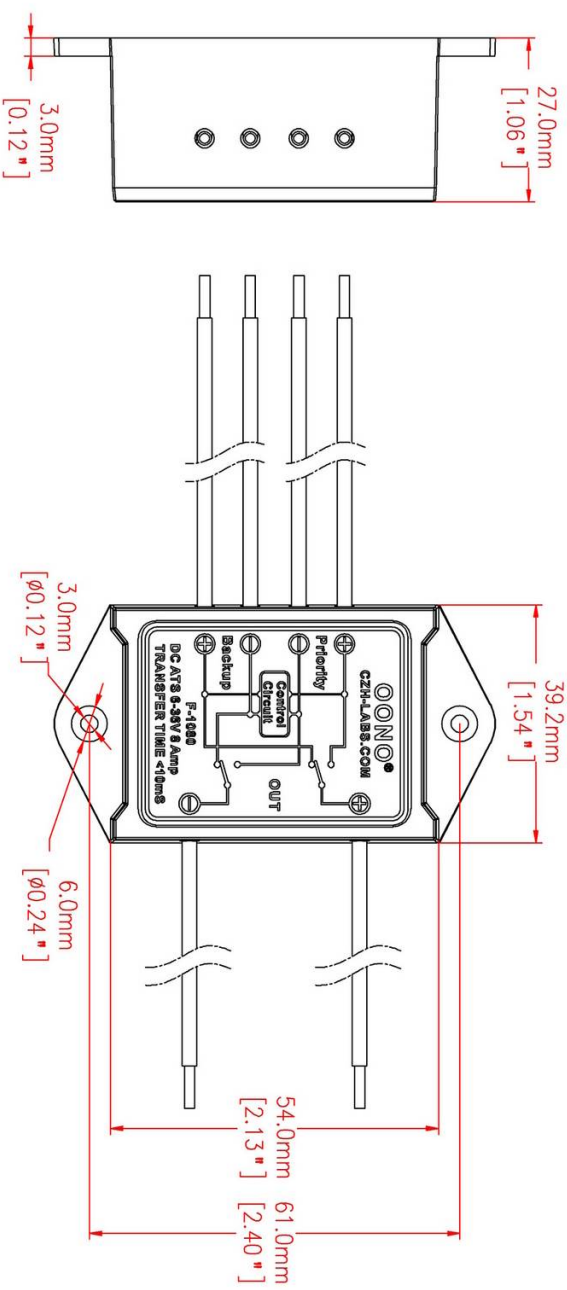
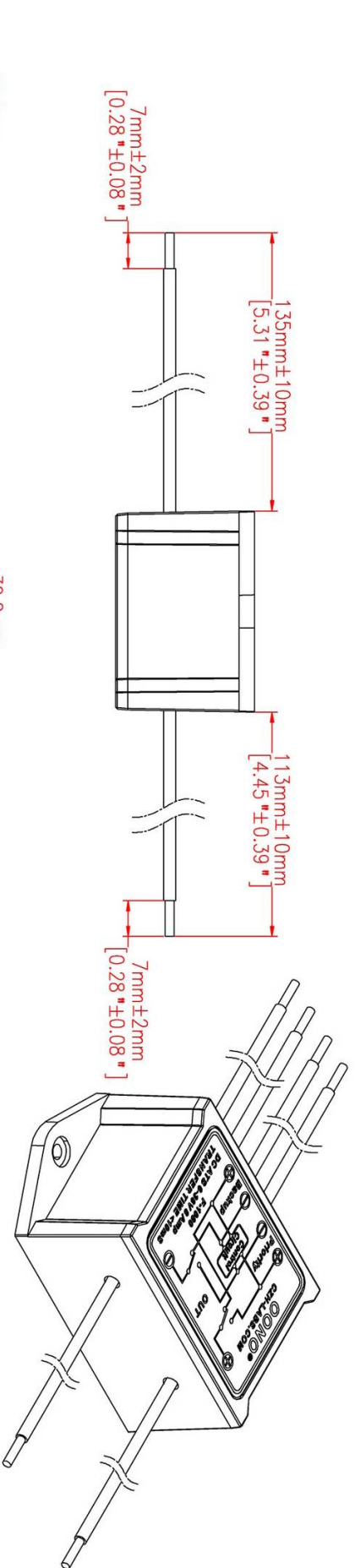
- Operating voltage:
Priority DC 6 to 36V.
Backup DC 0 to 36V.
- Quiescent current consumption:
Priority input mode: 65mA/6V 32mA/12V 19mA/24V 15mA/36V
Backup input mode: 0mA
- Maximum current: 8 Amp.
- Transfer time: < 10 millisecond (normal 5mS).
- Cable size: AWG 16 #1007.
- Operating temperature: -20 to +65C.

INPUT / OUTPUT SWITCH STATUS:

Priority input	Backup input	Output
Powered	Powered	Powered from Priority
Powered	No Powered	Powered from Priority
No Powered	Powered	Powered from Backup
No Powered	No Powered	Output no powered

SAFETY INSTRUCTIONS

- Do not attempt to disassemble the unit as it does not contain any parts that are to be serviced by the user. (Tampering voids warranty)
- Handle the module gently and carefully. Dropping it can damage the circuit board and case.
- Never exceed the protection limit values indicated in the specifications.
- Disconnect the module from the power before connecting new devices.
- Facilitate the operation of the device by familiarising yourself with its adjustments and indications.
- The product not suitable for use or as part of life support systems, or systems that might create hazardous situations of kind.



00NO® czh-labs.com	
MODEL NO:	F-1080
SKU:	F-1080-1
PROJECTION:	