

OONO<sup>®</sup>  
CZH-LABS.com

## AC 120V 15 Amp Manual Transfer Switch with Surge Protection & Power Polarity Monitoring

Model: F-1072



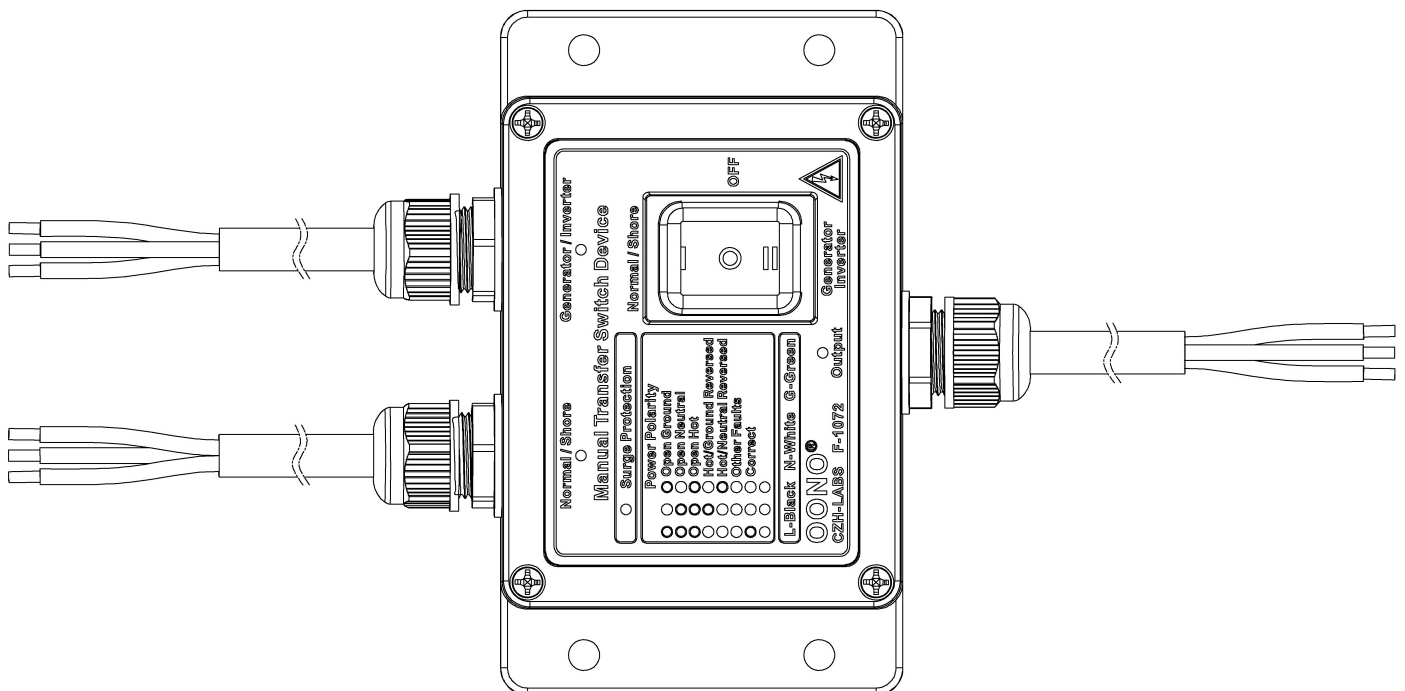
## FEATURES:

- OONO F-1072 Manual Transfer Switch, AC120V 15Amp, with surge protection and power polarity monitoring. You can manually select AC IN1 (Inverter or Generator) or AC IN2 (Utility or Shore Power) as the input source according to your needs, and can quickly control the on and off of the output.
- High power three-position DPDT switch, Live and Neutral wire are switched at the same time. The Ground wires of the two inputs and output are connected together internally and will not follow the switch on and off. With input and output status indicators.
- Surge protection, maximum 10k Amp(8/20 $\mu$ S) pulse protection, VPR 700V (L-N, L-G, N-G). Live to Neutral, Live to Protective-Earth and Neutral to Protective-Earth, all are equipped with protective components. T-MOV thermally protected varistors, no risk of overheating. With surge protection indicator light, normal status indicator light is on.
- Power polarity monitoring, this function is particularly important when you frequently change power supply equipment (for example, to different camping sites). It allows you to find out whether the power polarity is correct in time to avoid greater losses caused by incorrect power polarity.
- IP66 waterproof level design, suitable for indoor or outdoor use. AC IN1, AC IN2 and AC OUT cables: Length 19 inches (0.5 meter), 14AWG (2.08 square millimeter) x 3 cores.

## SPECIFICATIONS:

- Operating Voltage: AC 90 - 135V 50/60Hz.
- Maximum Current: 15 Amp.
- Surge protection current: I<sub>max</sub> 10k Amp, I<sub>n</sub> 5k Amp.
- Surge protection voltage: MCOV 150VAC, VPR 700V(L-N, L-G, N-G)
- Input / Output Cable Length: 19 inches (0.5 meter).
- Enclosure Waterproof Rating: IP66.

## CABLE CONNECTS:



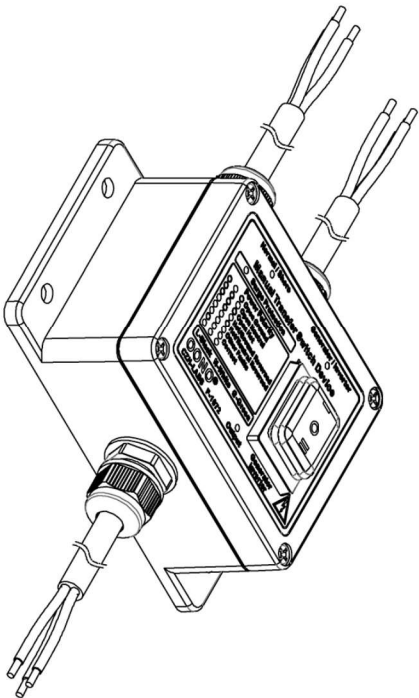
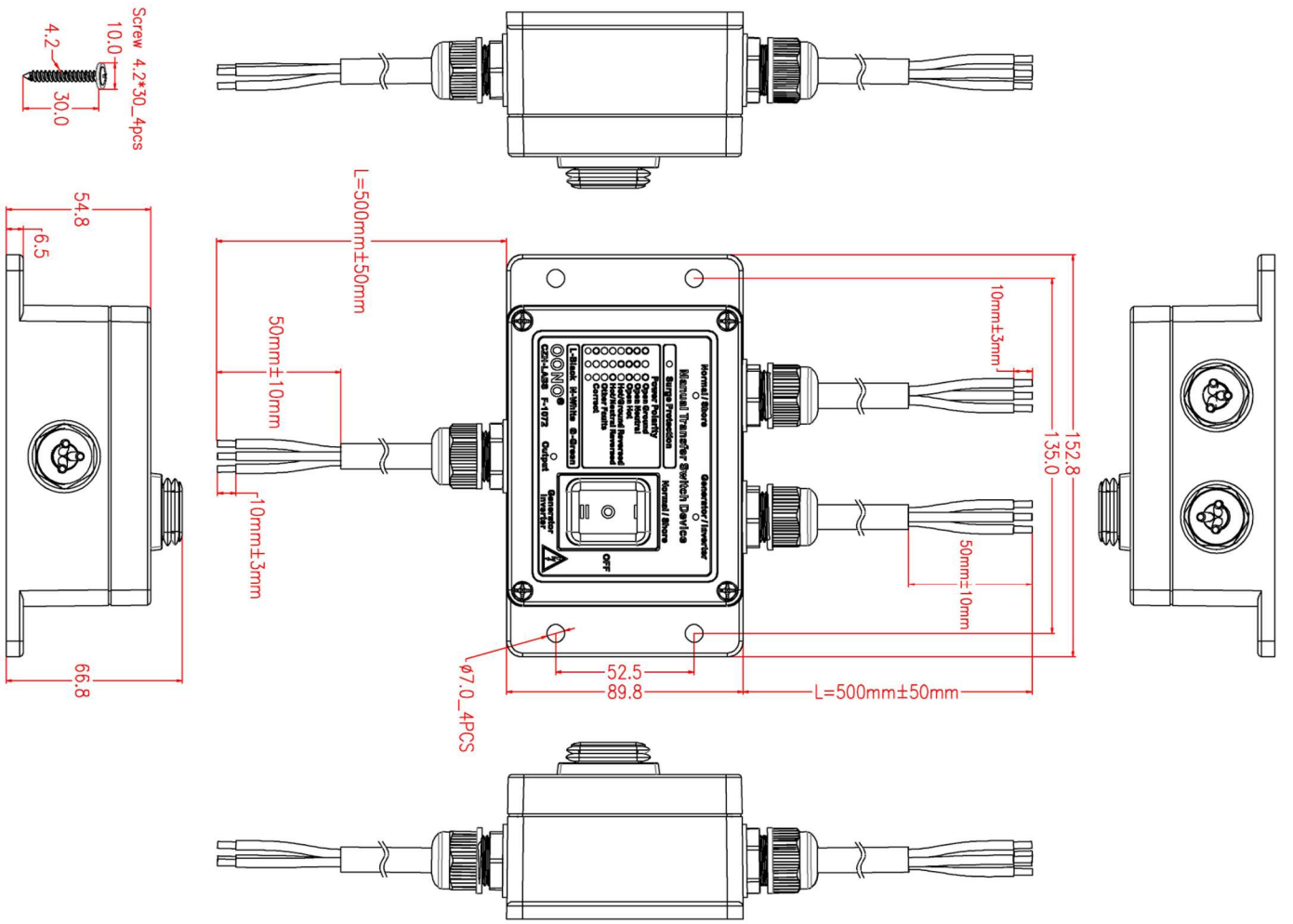
AC IN1: 14AWG (2.08 square millimeter) x 3 cores, recommended connect Inverter or Generator.

AC IN2: 14AWG (2.08 square millimeter) x 3 cores, recommended connect Utility or Shore Power.

AC OUT: 14AWG (2.08 square millimeter) x 3 cores, power output, connect to Load.

**Cables Color: Black - AC Live Wire, White - AC Neutral Wire, Green - Ground Wire**

**DIMENSIONS:**



<b>OON0<sup>®</sup></b>		<b>czh-labs.com</b>	
MODEL NO:	F-1072	SKU:	MD-F1072-1
PROJECTION:		UNIT:	mm

## **IMPORTANT**

- THIS MODULE OPERATES ON A HAZARDOUS VOLTAGE !
- DISCONNECT AC POWER DURING INSTALLATION !
- Installation must be done according to local regulations and standards. If any doubt, consult a licensed technician.
- This module is not suited for portable applications.

## **DANGER !!!**

- Do not open the housing in order to avoid the risk of electroshocks.
- This module operates on a dangerous AC voltage !
- All repairs should be executed by qualified technicians.

## **SAFETY INSTRUCTIONS !!!**

- Do not attempt to disassemble the unit as it does not contain any parts that are to be serviced by the user. (Tampering voids warranty)
- Do not touch unused terminals when the module is connected to the AC power.
- Handle the module gently and carefully. Dropping it can damage the circuit board and case.
- Never exceed the protection limit values indicated in the specifications.
- As safety requirements vary, please check with your local authorities.
- Disconnect the module from the AC power before connecting new devices.
- Wipe the device with a dry and clean cloth. Do not use detergents or other liquids that may damage the housing.
- Keep the device away from children.
- Facilitate the operation of the device by familiarising yourself with its adjustments and indications.
- CZH-LABS and Eelectronics-Salon modules are not suitable for use or as part of life support systems, or systems that might create hazardous situations of kind.