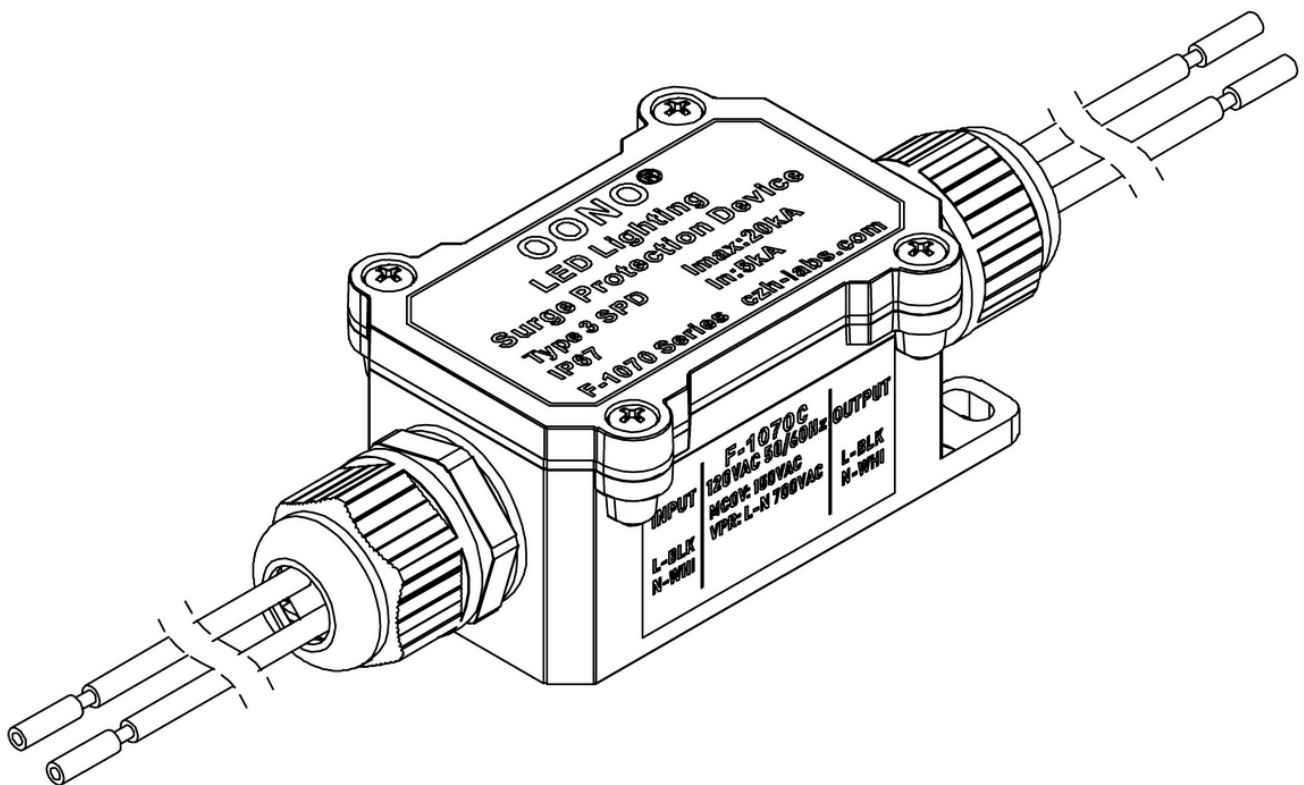


OONO[®]
CZH-LABS.com

**LED Lighting
Surge Protection Device Module
Model: F-1070C**



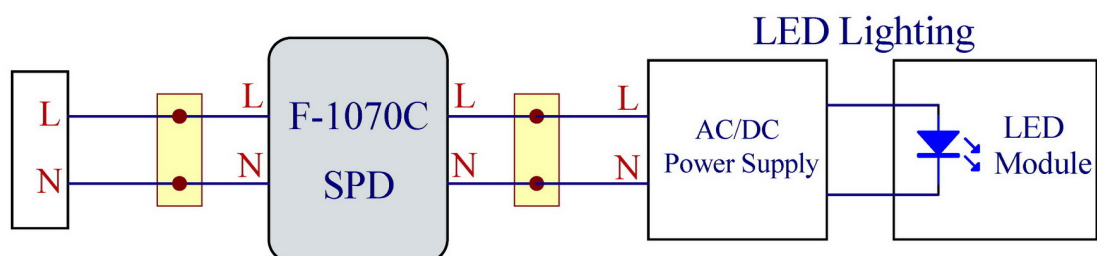
Features:

- F-1070C Series thermally protected surge protection device specially designed to be used in outdoor, commercial, and industrial LED lighting fixtures. It utilizes T-MOV thermally protected varistor technology which acts as a self-protector, helping prevent end-of-life issues related to varistors as well as issues related to sustaining over-voltage conditions. High line-to-earth/ground resistance.
- Single Phase AC120V Two (L-N) wires protection mode and Series connected.
- T-MOV Thermally Protected Varistor technology: The T-MOV varistors offer quick thermal response due to the close proximity of the integrated thermal element to the MOV body, avoiding the danger of MOV overheating or even burning.
- Waterproof rating: IP67. Flame retardant rating V1. Case material: PC (Polycarbonate). Seal material: Silicone rubber. External screw: 304 stainless-steel. Compact form factor.
- Applications: Outdoor and Commercial LED Lighting, Roadway lighting, Traffic lighting, Digital signage, Wall wash lighting, Parking garage lighting, Flood lighting, Tunnel lighting, Street lighting, Industrial high-bay and low-bay lighting.

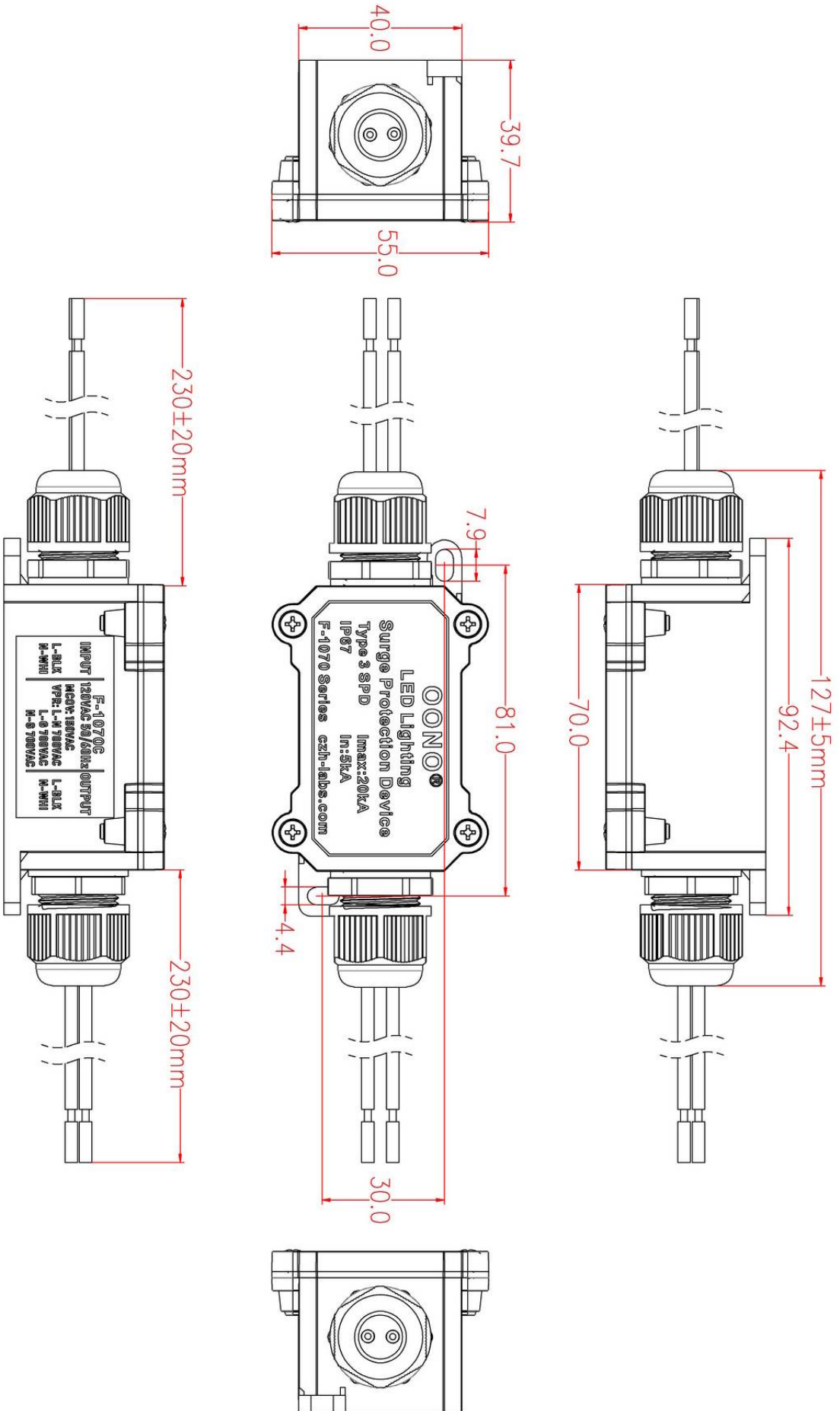
Specifications:

- Normal continuous operating voltage: Single phase 120VAC 50-60Hz
- Maximum continuous current:
- Maximum continuous operating voltage (MCOV): L-N 150VAC
- Voltage Protection Rating (VPR): 700V, L-N
- Nominal discharge current (In): 5k Amps (8/20 μ s)
- Maximum discharge current (Imax): 20k Amps (8/20 μ s)
- Wire length: 200mm / 8", UL AWM Style 1015, 16 AWG
- Operating temperature: -20 to 85C / -4 to 185F

F-1070C Circuit Connects:



F-1070C Dimensions:



OONO® czh-labs.com	
MODEL NO:	F-1070C
SKU:	MD-F1070C-1
PROJECTION:	
UNIT:	mm

IMPORTANT

- **THIS MODULE OPERATES ON A HAZARDOUS VOLTAGE !**
- **DISCONNECT AC POWER DURING INSTALLATION !**
- **Installation must be done according to local regulations and standards. If any doubt, consult a licensed technician.**
- **This module is not suited for portable applications.**

DANGER !!!

- **Do not open the housing in order to avoid the risk of electroshocks.**
- **This module operates on a dangerous AC voltage !**
- **All repairs should be executed by qualified technicians.**

SAFETY INSTRUCTIONS !!!

- **Do not attempt to disassemble the unit as it does not contain any parts that are to be serviced by the user. (Tampering voids warranty)**
- **Do not touch unused terminals when the module is connected to the AC power.**
- **Handle the module gently and carefully. Dropping it can damage the circuit board and case.**
- **Never exceed the protection limit values indicated in the specifications.**
- **As safety requirements vary, please check with your local authorities.**
- **Disconnect the module from the AC power before connecting new devices.**
- **Wipe the device with a dry and clean cloth. Do not use detergents or other liquids that may damage the housing.**
- **Keep the device away from children.**
- **Facilitate the operation of the device by familiarising yourself with its adjustments and indications.**
- **CZH-LABS and Eelectronics-Salon modules are not suitable for use or as part of life support systems, or systems that might create hazardous situations of kind.**