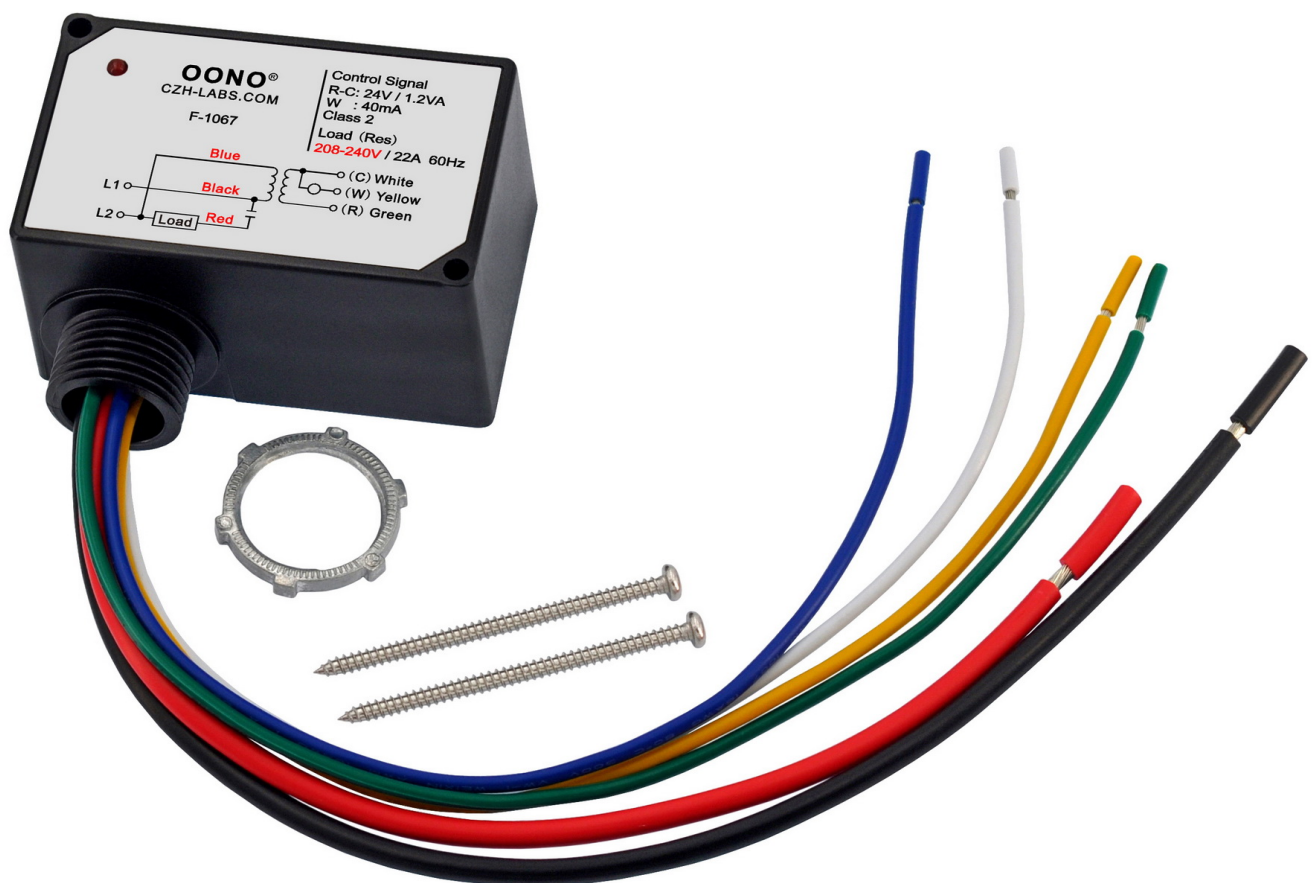


OONO®  
czh-labs.com

## On/Off Switching Electric Heating Relay with Built-in 24 V Transformer

Model: F-1067 (**AC 208-240V Version**)



## **IMPORTANT !**

- **THIS MODULE OPERATES ON A HAZARDOUS VOLTAGE !**
- **All wiring must comply with national and local electrical code regulations.**
- **Installation should be carried out by an electrician.**
- **Disconnect power supply before installing the relay to prevent electrical shock.**

## **Features:**

- The F-1067 Electric Heating Relay is designed to control a AC 240V line voltage resistive load from a low voltage thermostat. The F-1067 relay has a built-in 24 V transformer and is compatible with 3-wire (R, C, W) thermostats as well as 2-wire (R, W) mechanical and battery-operated thermostats.
- LED indicator for relay action. On a call for heat, the relay is immediately activated, there is no delay.
- Polycarbonate plastic enclosure, all wires lead out via 1/2" mounting nipple, it can be flexible mounting with your junction box / outlet box. Two screw mounting holes are convenient for you to fix it on the wall or wooden board.
- Packing list: 1x relay module, 1x NPT 1/2" Zinc alloy conduit locknut, 2x M3x50mm screws.

**NOTE:** Not recommended for fast-cycling modulated regulation. For fast-cycling heating equipment, you may muse use Solid State Relay.

## **Electrical Specifications:**

Voltage: 208 to 240 VAC

Resistive load: 22 Amp, Inductive load: 1.0HP/208V 1.5HP/240V, FLA: 12, LRA: 42

Control signal: 24 VAC / 40 mA / 1.2 VA

Transformer ratings: 24 VAC / 1.2 VA / Class 2

Wire size: 12 AWG (red, black), 16 AWG (white, yellow, green, blue)

Ambient operating temperature: -20C to 60C

Net weight: 6.7 oz (190 g)

## **DANGER !!!**

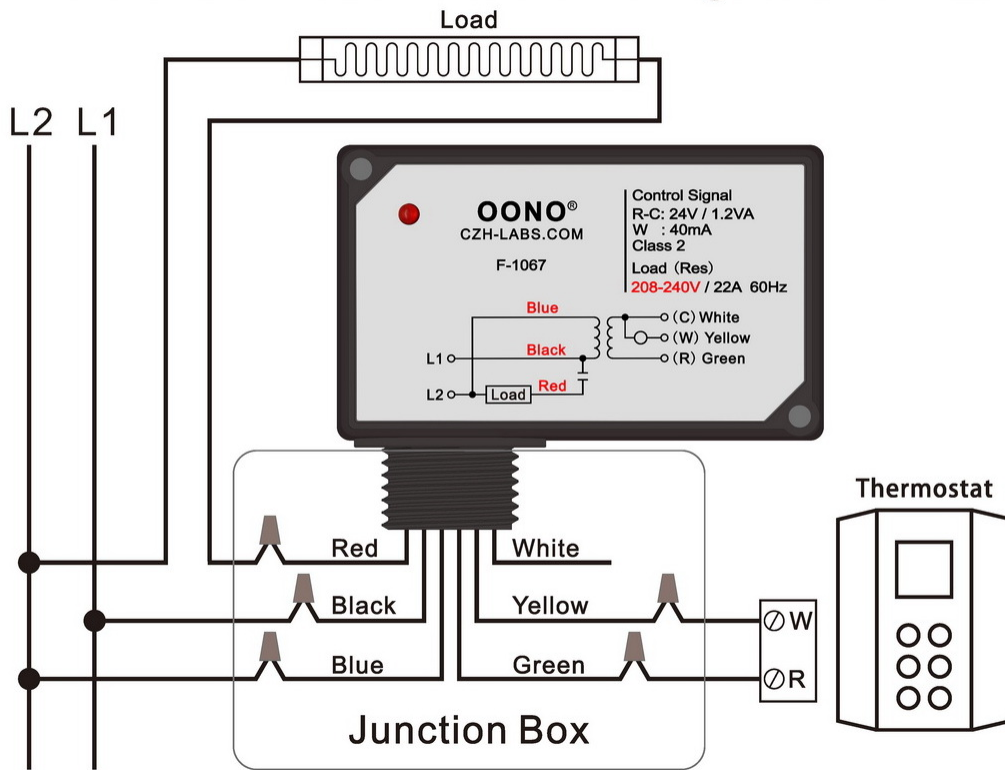
- Do not open the housing in order to avoid the risk of electroshocks.
- This module operates on a dangerous AC voltage !
- All repairs should be executed by qualified technicians.

## **SAFETY INSTRUCTIONS !!!**

- Do not attempt to disassemble the unit as it does not contain any parts that are to be serviced by the user. (Tampering voids warranty)
- Do not touch unused terminals when the module is connected to the AC power.
- Handle the module gently and carefully. Dropping it can damage the circuit board and case.
- Never exceed the protection limit values indicated in the specifications.
- As safety requirement vary, please check with your local authorities.
- Disconnect the module from the AC power before connecting new devices.
- Wipe the device with a dry and clean cloth. Do not use detergents or other liquids that may damage the housing.
- Keep the device away from children.
- Facilitate the operation of the device by familiarising yourself with its adjustments and indications.
- CZH-LABS and Electronics-Salon modules are not suitable for use or as part of life support systems, or systems that might create hazardous situations of kind.

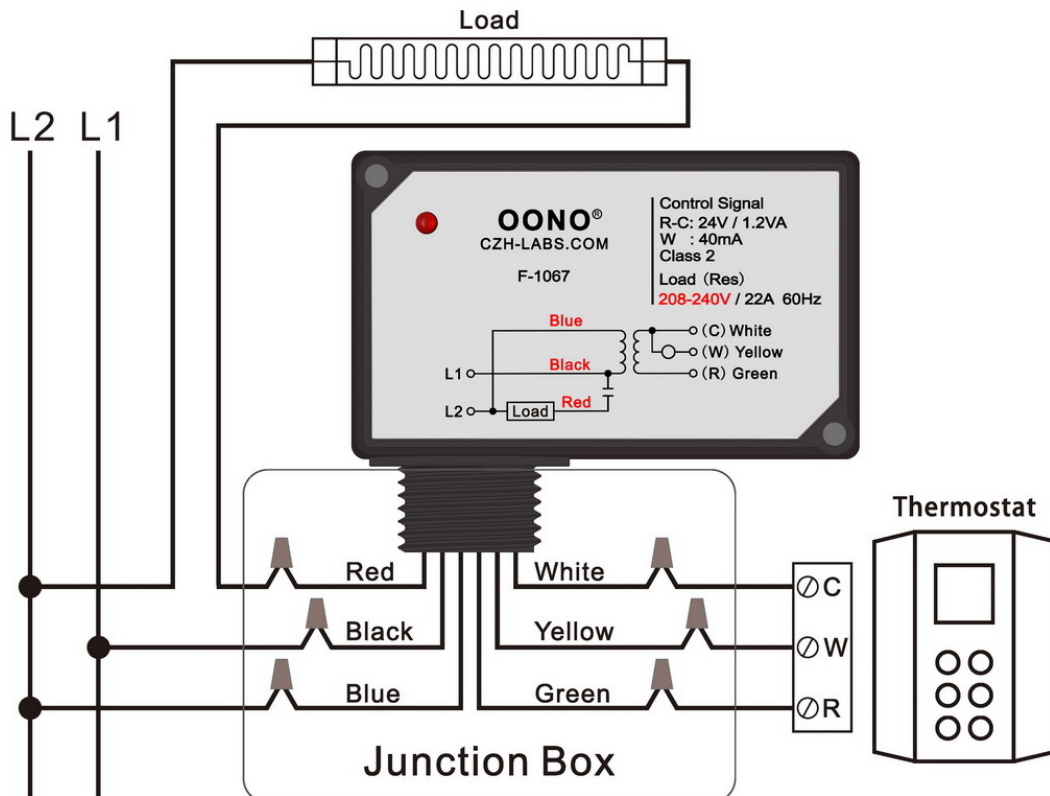
## Typical Wiring Diagrams:

### Connection to a 2-wire low voltage thermostat



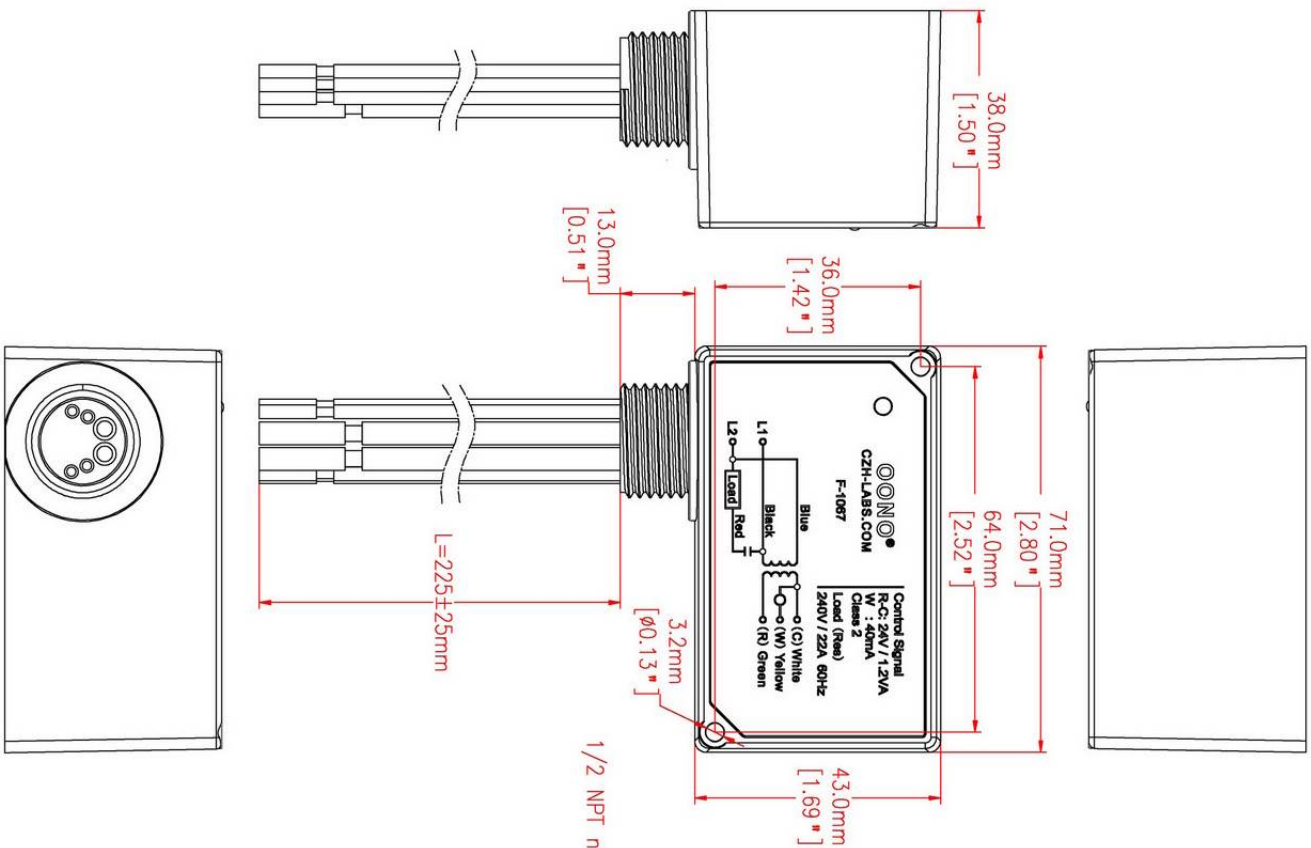
✧ You must provide an overload protection and disconnect as required.

### Connection to a 3-wire low voltage thermostat



✧ You must provide an overload protection and disconnect as required.

# Dimensions:

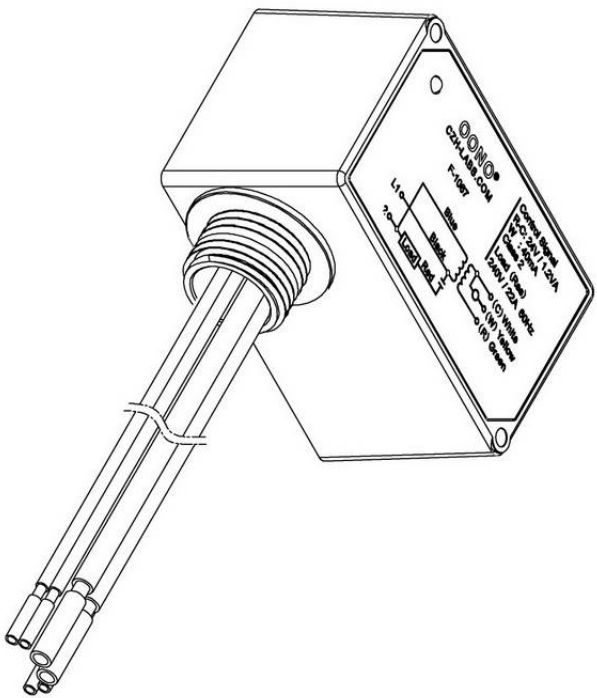


71.0mm [2.80 #]  
 64.0mm [2.52 #]  
 36.0mm [1.42 #]  
 38.0mm [1.50 #]  
 43.0mm [1.69 #]  
 13.0mm [0.51 #]  
 3.2mm [ø0.13 #]  
 1/2 NPT nipple

00NO  
 czh-labs.com  
 F-1067  
 Control Signal  
 RC: 2kV/1.2VA  
 W: 40mA  
 Class 2  
 Load (Res)  
 240V/22A 60Hz  
 Blue  
 Black  
 Red  
 L1  
 L2  
 (C) White  
 (W) Yellow  
 (R) Green

Screw M3\*50mm\_2pcs

0.5 # NPT NUT



00NO®		czh-labs.com	
MODEL NO:	F-1067	SKU:	F-1067-1
PROJECTION:			