

OONO®  
CZH-LABS.com

# Manual and Automatic Transfer Switch AC 120V 15 Amp

Model: F-1063B, (NEMA 5-15 P/R Version)



**FEATURES:**

- **OONO F-1063B Manual and automatic transfer switch, an easy to mount 15 Amp inline transfer module provides switching between AC IN1 (Inverter or Generator) and AC IN2 (Utility or Shore Power) AC source. With input and output and switch status indicators. It has a manual power switch function, which can quickly control the on and off of the output. With the function of automatic and manual working mode, the product can work in automatic mode, and the input source can also be selected manually.**
- **Automatic mode (MODE switch set to AUTO): when AC IN2 (Utility or Shore Power) is powered, the load power will be switched to AC IN2, when AC IN2 is powered off, the load power will be switched to AC IN1 (Inverter or Generator). Manual mode (MODE switch set to SW1 or SW2): You can manually select AC IN1 (Inverter or Generator) or AC IN2 (Utility or Shore Power) as the input source according to your needs.**
- **Operating voltage AC 90 to 135V 50/60Hz. Maximum current 15 Amp. Transfer time less than 30mS (normal 15mS), for most smart devices or computers, the switching action of 30mS time will not affect their normal operation.**
- **Internal four high power SPST relays switch design, effectively avoid the problem of DPDT relay high inductive load arcing. Live and Neutral wire are switched at the same time. The Ground wires of the two inputs and output are connected together internally and will not follow the switch on and off.**
- **IP66 waterproof level design, suitable for indoor or outdoor use. AC INPUT 1 and AC INPUT 2 cables: Length 19 inch (0.5 meter), US standard NEMA 5-15P 3 prong plugs. AC OUTPUT cable: Length 19 inch (0.5 meter), US standard NEMA 5-15R 3 prong socket.**

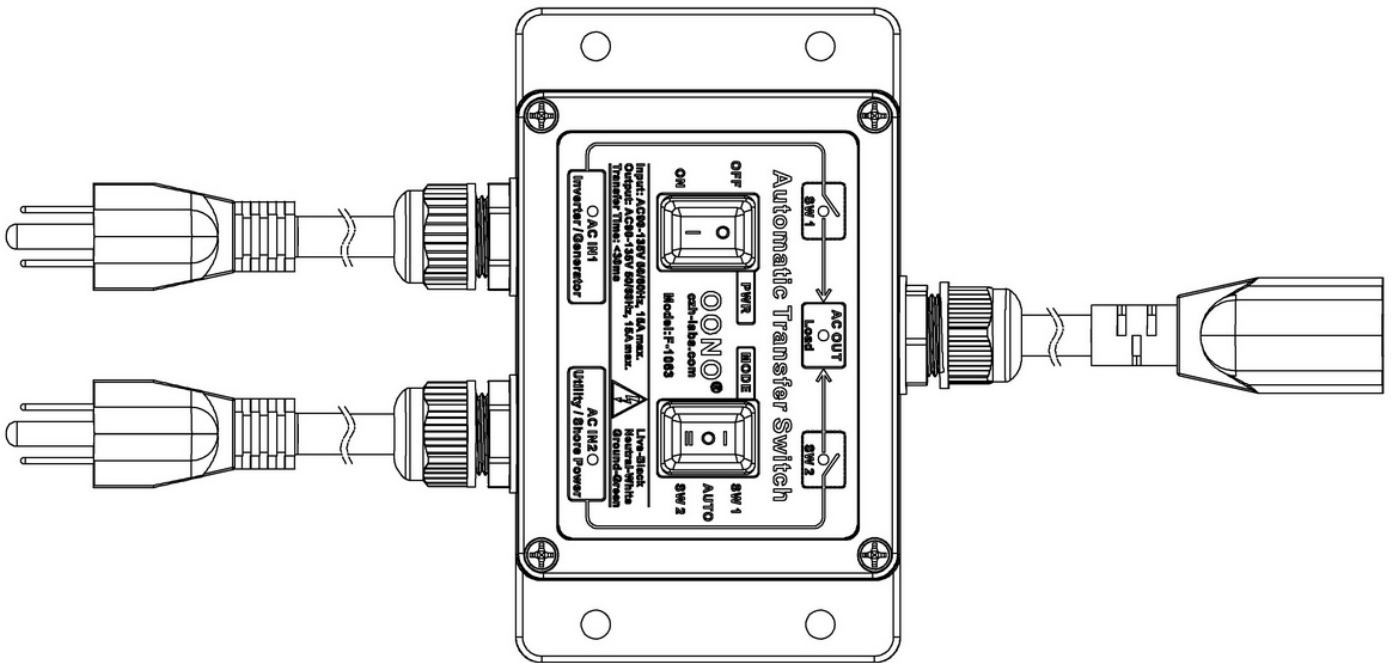
**SPECIFICATIONS:**

- **Input or Output Voltage: ..... AC 90 - 135V 50/60Hz.**
- **Maximum Current: ..... 15 Amp.**
- **Transfer Time: ..... less than 30 millisecond.**
- **Input / Output Cable: ..... 19 inches (0.5 meter), internal 14AWG x 3 cores.**
- **Enclosure Waterproof Rating: ..... IP66.**

**INPUT / OUTPUT SWITCH STATUS:**

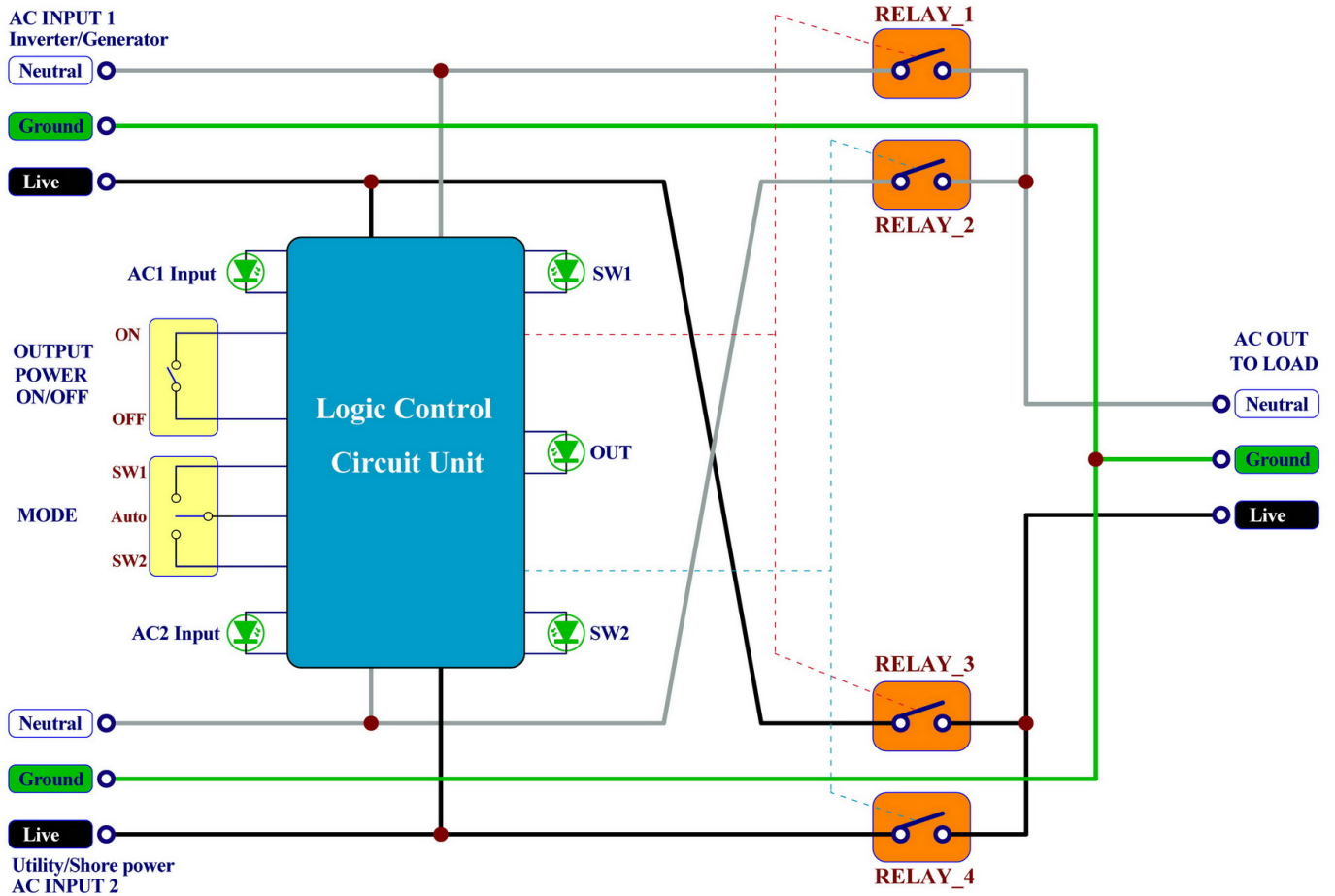
<b>MODE</b>	<b>AC IN1 (Inverter or Generator)</b>	<b>AC IN2 (Utility or Shore Power)</b>	<b>AC OUTPUT</b>
<b>AUTO</b>	Powered	Powered	Powered from AC IN2
	Powered	No Powered	Powered from AC IN1
	No Powered	Powered	Powered from AC IN2
	No Powered	No Powered	Output No Powered
<b>Manual Mode - SW 1</b>	Powered	Powered	Powered from AC IN1
	Powered	No Powered	Powered from AC IN1
	No Powered	Powered	Output No Powered
	No Powered	No Powered	Output No Powered
<b>Manual Mode - SW 2</b>	Powered	Powered	Powered from AC IN2
	Powered	No Powered	Output No Powered
	No Powered	Powered	Powered from AC IN2
	No Powered	No Powered	Output No Powered

**CABLE CONNECTS:**

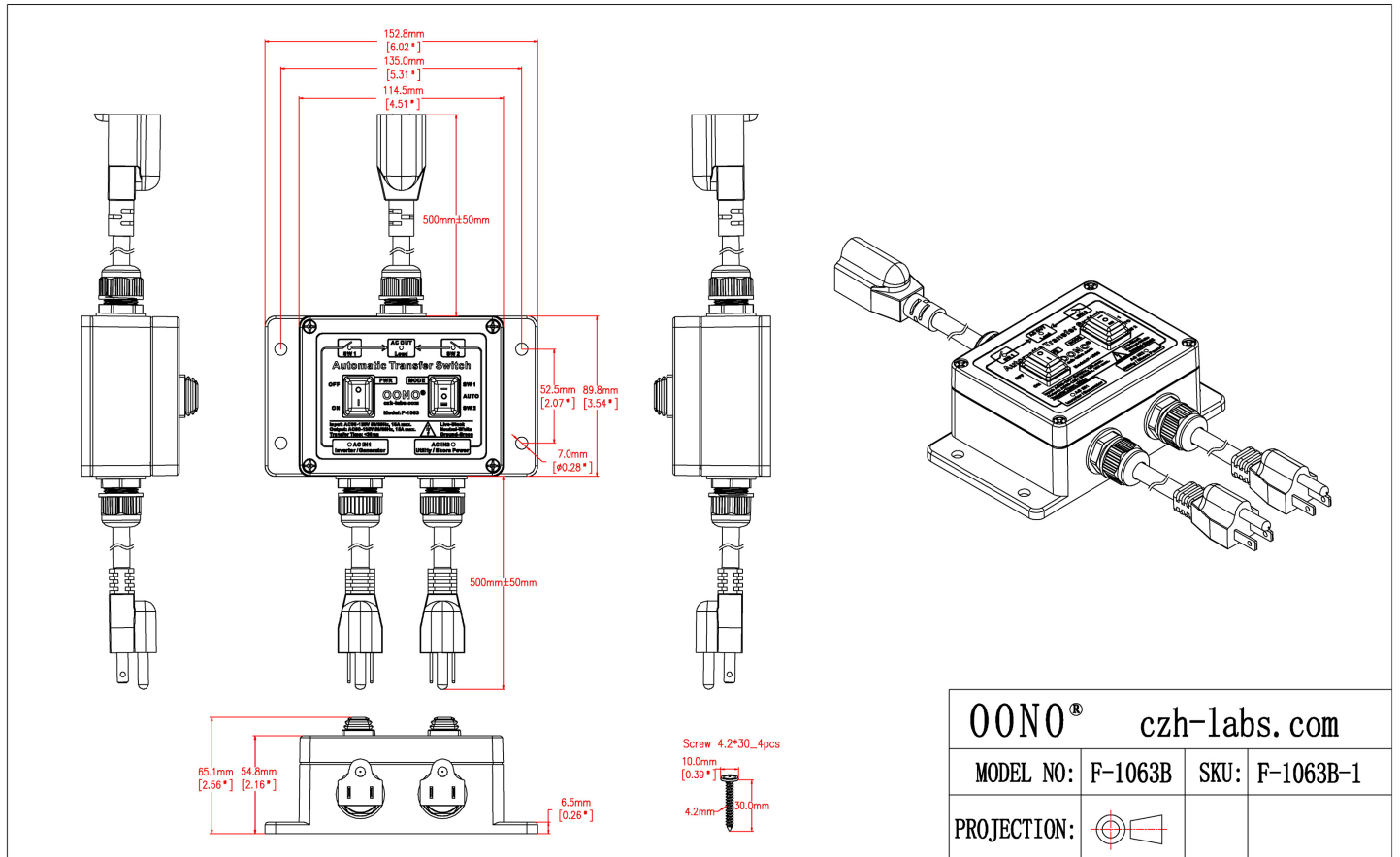


**AC IN1:** US standard NEMA 5-15P 3 prong plug, recommended connect Inverter or Generator.  
**AC IN2:** US standard NEMA 5-15P 3 prong plug, recommended connect Utility or Shore Power.  
**AC OUT:** US standard NEMA 5-15R 3 prong socket, power output, connect to Load.

**INTERNAL SIMPLE SCHEMATIC:**



## DIMENSIONS:



## IMPORTANT

- THIS MODULE OPERATES ON A HAZARDOUS VOLTAGE !
- DISCONNECT AC POWER DURING INSTALLATION !
- Installation must be done according to local regulations and standards. If any doubt, consult a licensed technician. This module is not suited for portable applications.

## DANGER !!!

- Do not open the housing in order to avoid the risk of electroshocks.
- This module operates on a dangerous AC voltage !
- All repairs should be executed by qualified technicians.

## SAFETY INSTRUCTIONS !!!

- Do not attempt to disassemble the unit as it does not contain any parts that are to be serviced by the user. (Tampering voids warranty)
- Do not touch unused terminals when the module is connected to the AC power.
- Handle the module gently and carefully. Dropping it can damage the circuit board and case.
- Never exceed the protection limit values indicated in the specifications.
- As safety requirement vary, please check with your local authorities.
- Disconnect the module from the AC power before connecting new devices.
- Wipe the device with a dry and clean cloth. Do not use detergents or other liquids that may damage the housing.
- Keep the device away from children.
- Facilitate the operation of the device by familiarising yourself with its adjustments and indications.
- CZH-LABS and Eelectronics-Salon modules are not suitable for use or as part of life support systems, or systems that might create hazardous situations of kind.