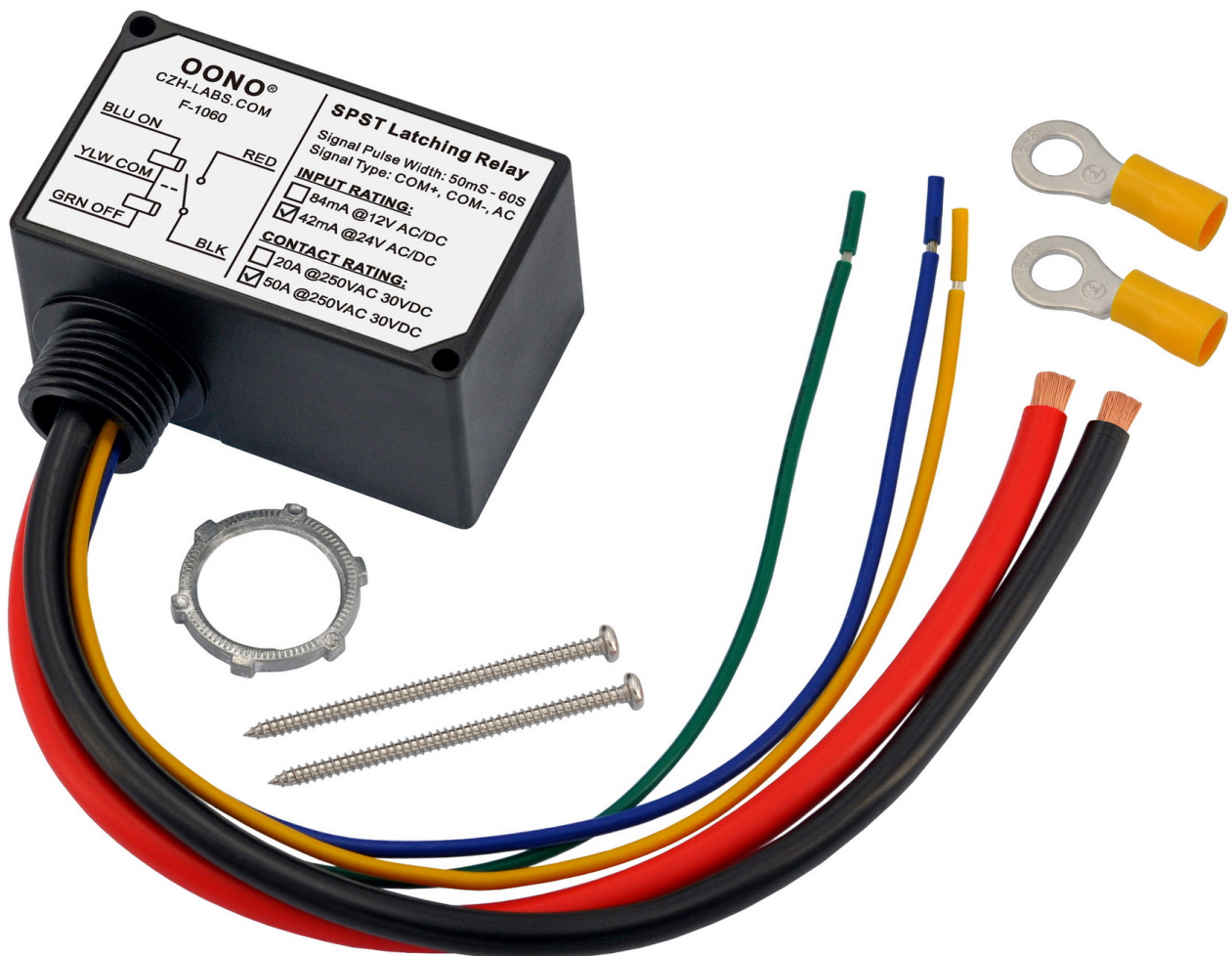


OONO®
czh-labs.com

**Plastic Enclosure Wired
SPST 50 Amp Latching Relay Module
Model: F-1060 50A series**



Features:

- If you are looking for a latching relay with power-off memory, then this module will be very suitable for you. Even if the power supply is turned off, the status of the output switch will not be affected in any way, it will remain in the state before the power was turned off.
- Input control signal: AC/DC 12V and 24V two versions selectable. Support input control signal type AC, DC COM+(Sink NPN) or DC COM-(Source PNP).
- Output switch SPST (Single Pole Single Throw), rated current and voltage 50A / 250VAC or 50A / 30VDC.
- Polycarbonate plastic enclosure with a NPT 1/2" mounting nipple, Pre-wired for a money-saving installation that is easy and quick. This is a simple and practical passive relay module, which is very convenient to use. All wires lead out via 1/2" mounting nipple, it can be flexible mounting with your junction box / outlet box. Two screw mounting holes are convenient for you to fix it on the wall or wooden board.
- Packing list: 1x relay module, 1x NPT 1/2" Zinc alloy conduit locknut, 2x M3x50mm screws, 2x Ring crimp terminals.

Specifications:

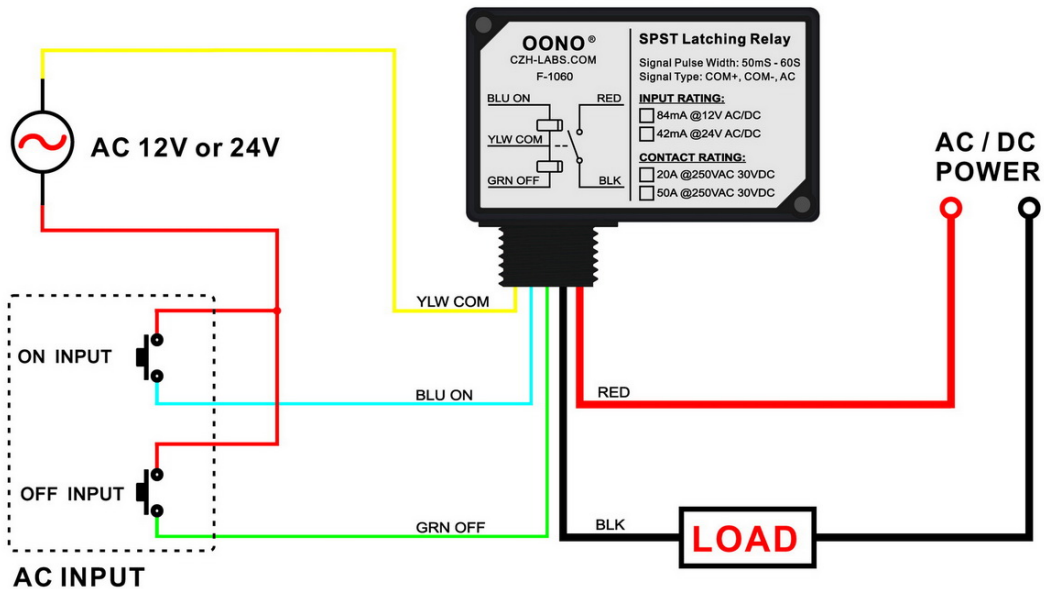
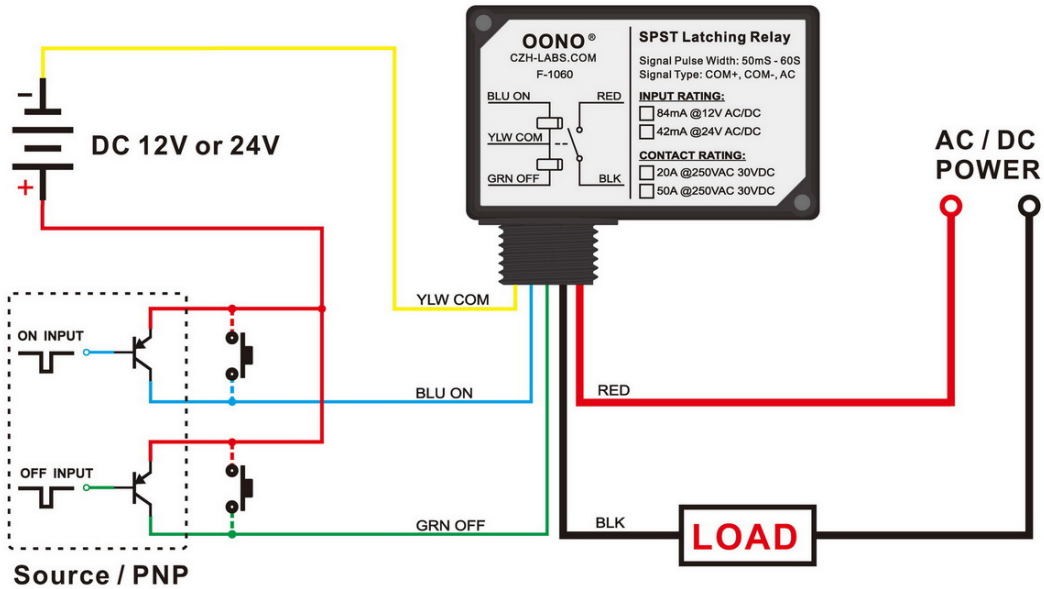
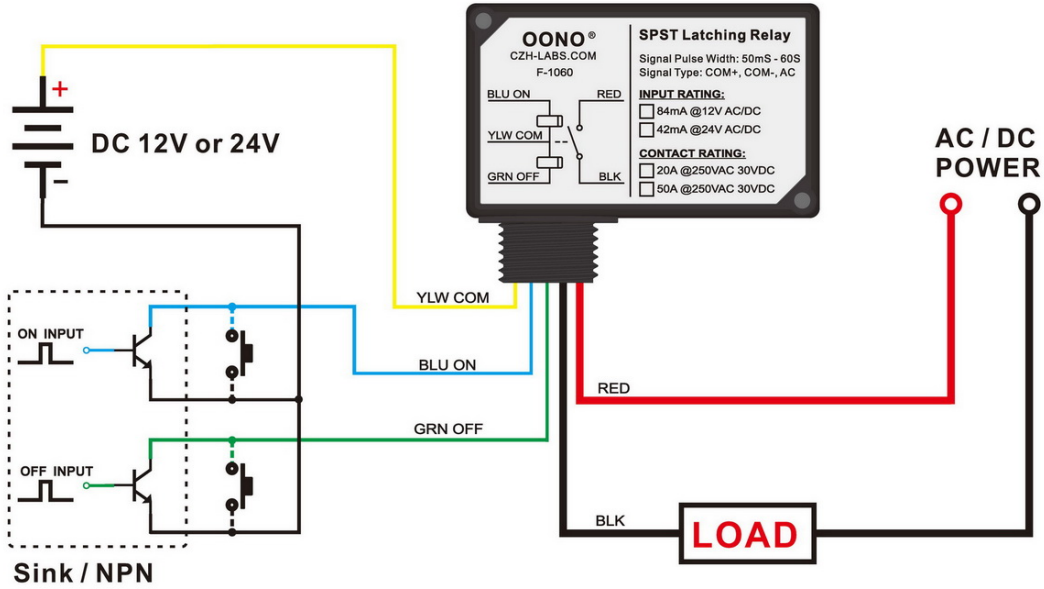
Input Control Signal:

	F-1060 50A 12V	F-1060 50A 24V
Signal type	AC, DC COM+(Sink NPN) or DC COM-(Source PNP)	
Signal pulse width	50mS min. / 60S max.	
Action voltage	DC 11-18V, or AC 10-18V	DC 21-36V, or AC 20-32V
Action current	80-90mA @12V	40-50mA @24V

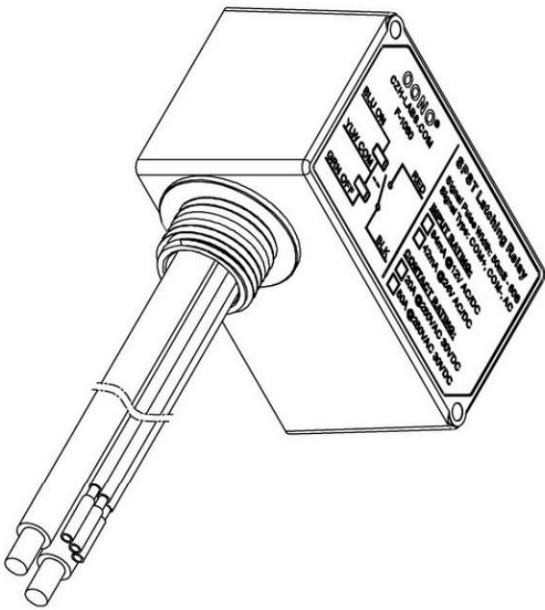
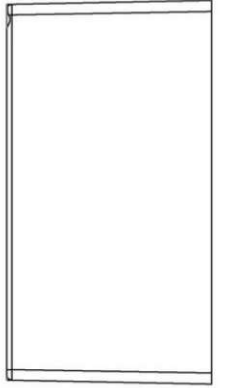
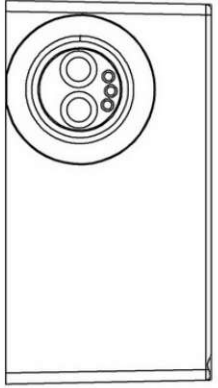
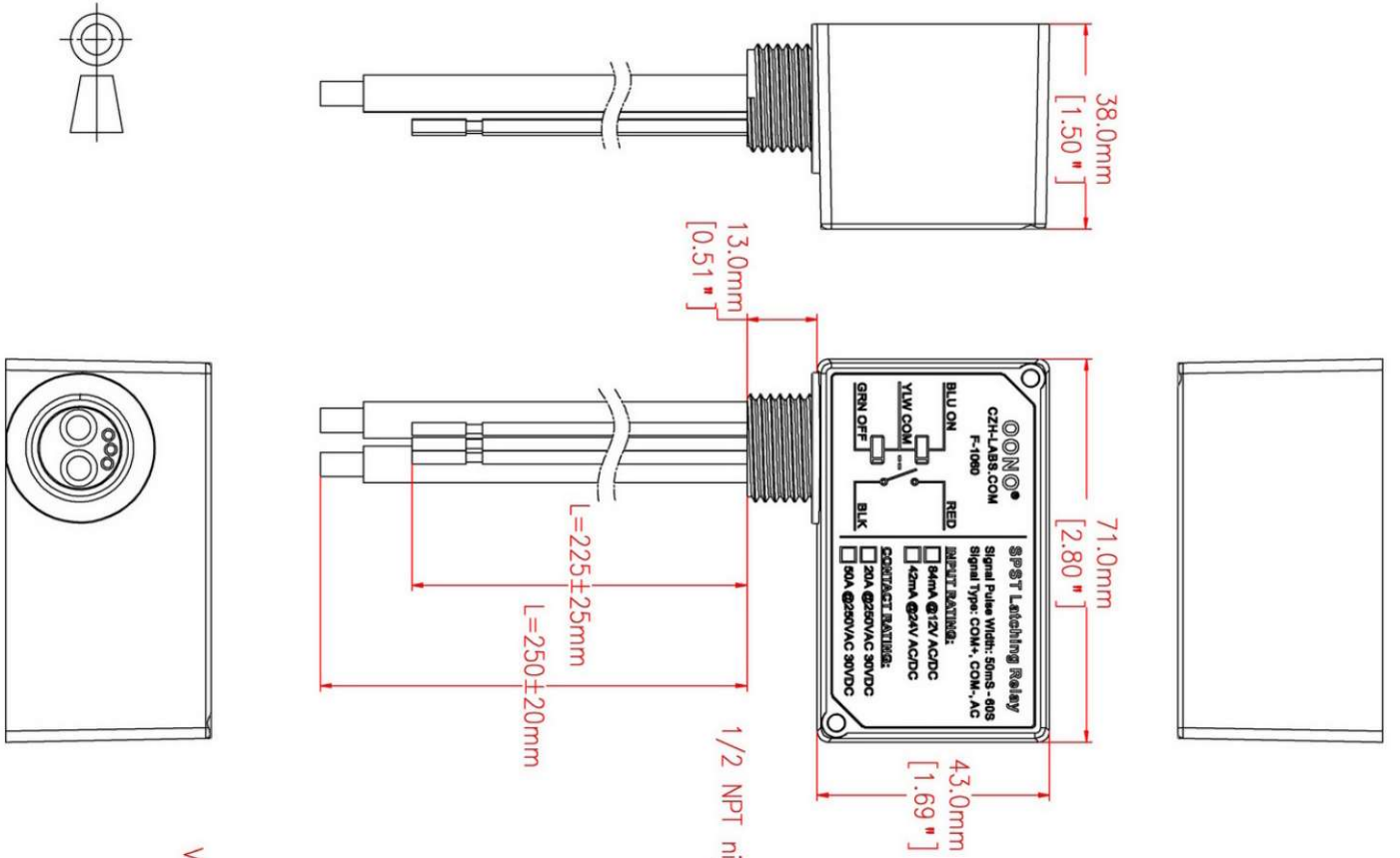
Output Switch:

	F-1060 50A, 12V 24V
Rated load	50A 250VAC, 50A 30VDC (resistive load).
Mechanical endurance	10,000,000 operations
Electrical endurance	100,000 operations at 230 VAC, 25 A (resistive load, room temp., 10s on 10s off) 100,000 operations at 24 VDC, 25 A (resistive load, room temp., 10s on 10s off)

Wire Connects:



Dimensions:



VINYL-INSULATED RING
TERMINALS_2PCS



0.5" NPT NUT_1PCS



Screw M3*50mm_2pcs

