

OONO[®]

czh-labs.com

80 Amp DPST Latching Relay Module

Model: F-1055



Features:

- If you are looking for a latching relay with power-off memory, then this module will be very suitable for you. Even if the operating power is turned off, the status of the output switch will not be affected in any way, it will remain in the state before the power was turned off.
- Output switch DPST (Double Pole Single Throw). Rated current/voltage AC 80A/250V or DC 50A/30V (each switch channel).
- Operating voltage support DC 12V / 24V, the red DIP switch on the side can be set.
- Support signal High or Low action, the red DIP switch on the side can be set. Can support multiple types of controllers, Raspberry Pi / Arduino / ESP32 / BeagleBone / PLC / MCU / DSP etc, of course you can also directly connect two momentary switches. With override switch function, override switch setting to ON or OFF, external control signals will be invalid,
- Screw-type terminal blocks facilitate the connection of cables. The ABS plastic shell ensures better electrical insulation.

Specifications:

Operating Voltage: DC 10 - 16V(at 12V mode), DC 20 - 32V(at 24V mode), switch optional.

Operating Current: 0.3mA Quiescent, override switch set to AUTO.

0.6mA Quiescent, override switch set to ON or OFF.

350mA, when the control signal pulse action. duration is the same as the control pulse signal width time.

Control Signal Voltage: Low level 0 ~ 0.5V, High level 3 ~ 32V

Control Signal Current (Low action mode): 0.5mA

Control Signal Current (High action mode): 0.25mA/3.3V, 0.43mA/5V, 1.2mA/12V, 2.3mA/24V

Control Signal Type: High or Low action, switch optional.

Control Signal Pulse Width: 50mS / min, 60S / max.

Switch Rated Voltage: AC 250V, DC 30V

Switch Rated Current: AC 80A, DC 50A (each switch)

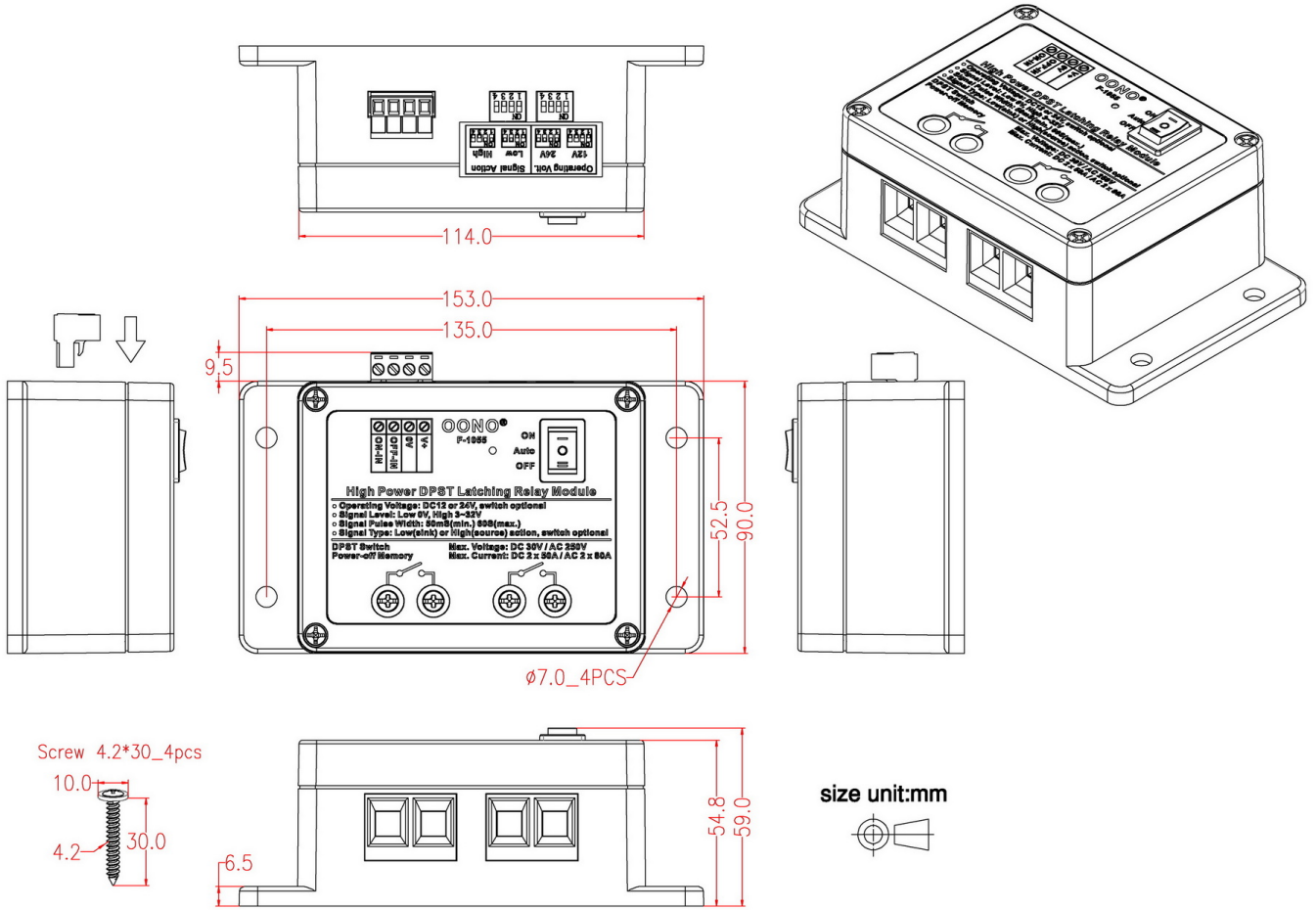
Control Terminal Block: Pitch - 5.08mm/0.2", wire size 26 - 12 AWG, stripping length 7mm.

Switch Terminal Blocks: Pitch - 15mm/0.6", wire size 20 - 2 AWG, stripping length 19mm.

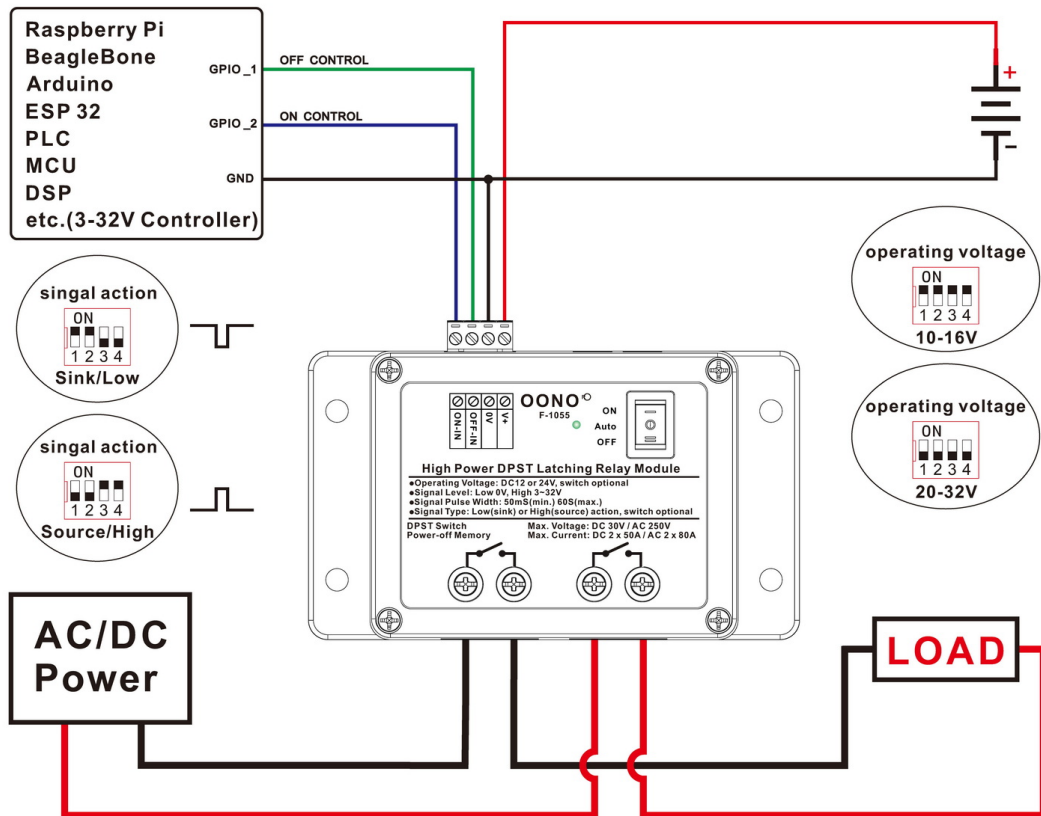
Net weight (excluding screws): 350g

External dimensions: L 153mm x W 90mm x H 59mm

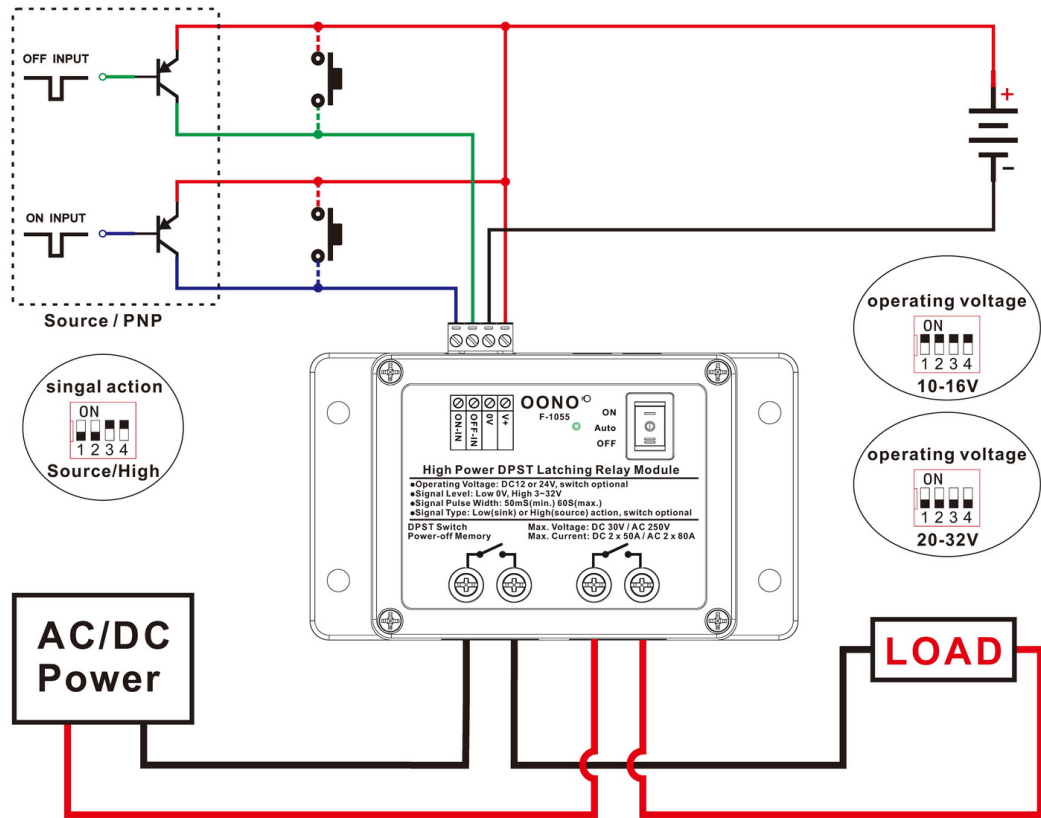
Dimensions:



Connection Diagram (for Raspberry Pi, Arduino, ESP32 etc):



Connection Diagram (for High level action, Source, PNP):



Connection Diagram (for Low level action, Sink, NPN):

