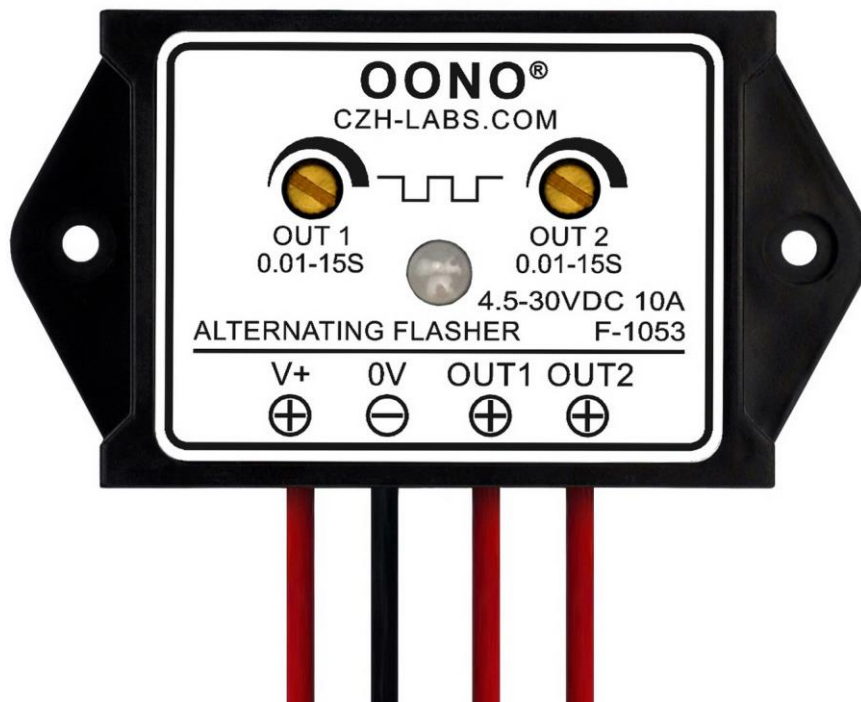


OONO[®]
CZH-LABS.com

Dual Output Alternating Flasher Module

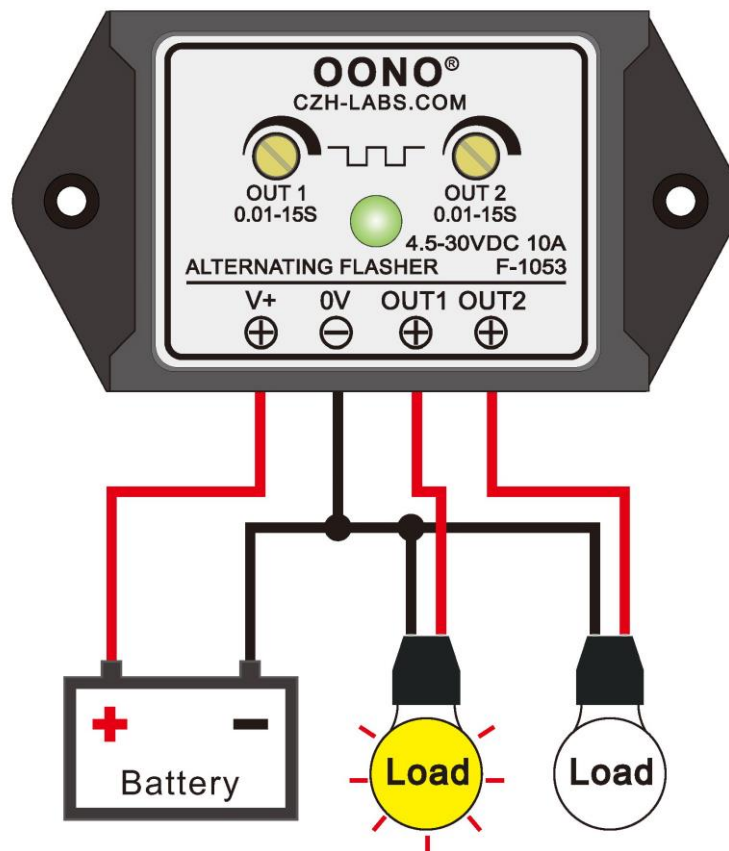
Model: F-1053



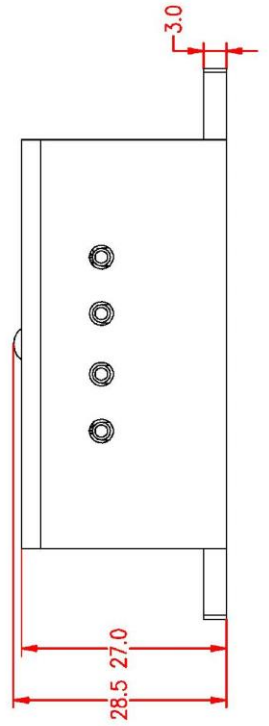
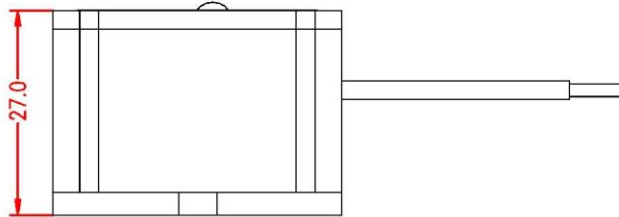
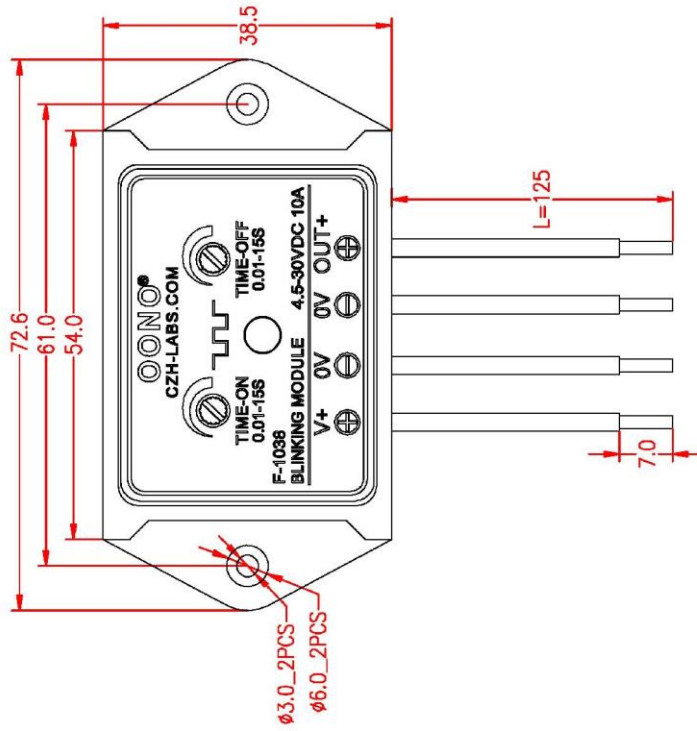
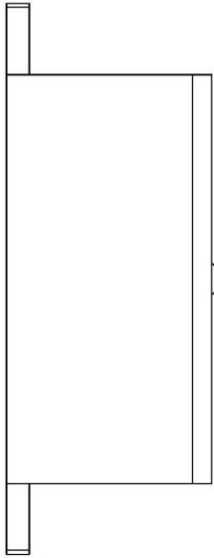
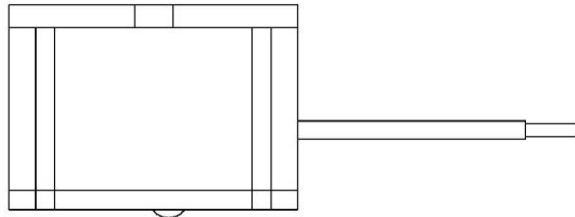
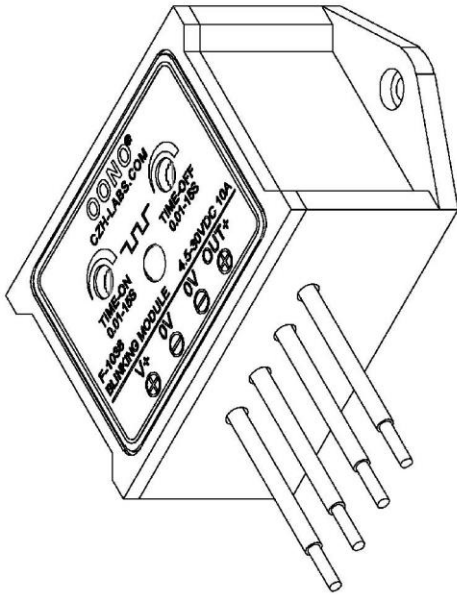
Features:

- This is a simple and practical dual output alternating flasher module, the OUT-1 and the OUT-2 duration can be adjusted separately. The blinking flasher module is suited for both resistive and slightly inductive loads. This blinking flasher module is ideally suited for driving for example LED lamps, hazard lights, warning signs, safety beacons, light bulbs, etc
- Operating voltage DC 4.5 to 30V. Maximum current: 10 Amp(each output). Maximum load 300 Watts(at DC 30V), 120 Watts(at DC 12V). (NOTE: this product no step-up, step-down or inverter function, only for DC load)
- Output-1 0.01 to 15 seconds and Output-2 0.01 to 15 seconds adjustable. The OUT1 – OUT2 – OUT1 – OUT2... cycle alternates output. (The time to adjust output 1 is also the OFF time of output 2. The time to adjust output 2 is also the OFF time of output 1)
- Two precise 25-turn adjustable potentiometers, you can use a screwdriver to easily adjust the ON and OFF time you need. With LED indication for output status(OUT-1 green, OUT-2 red).
- Compact plastic case and wires connects for easy mount. Two screw mounting holes are convenient for you to fix it on the wall or wooden board. Of course, you can also choose not to lock the screw.

Typical connection diagram:



Dimensions:



size unit:mm

