

OONO[®]

CZH-LABS.com

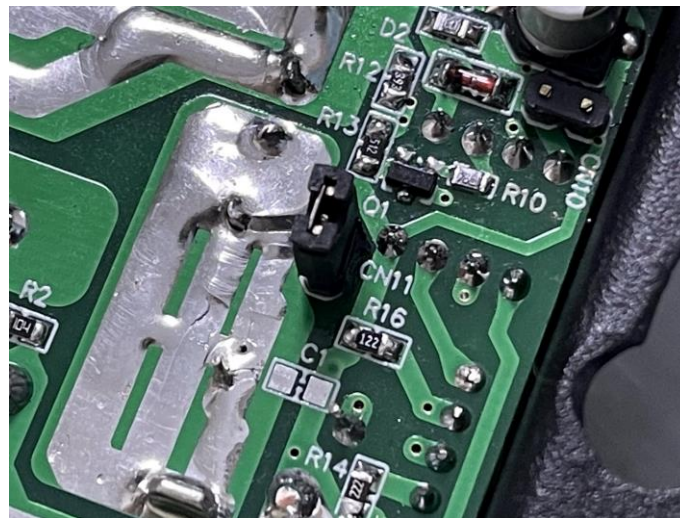
8 Channel Powerpole Power Splitter Distribution Module

Model: F-1039



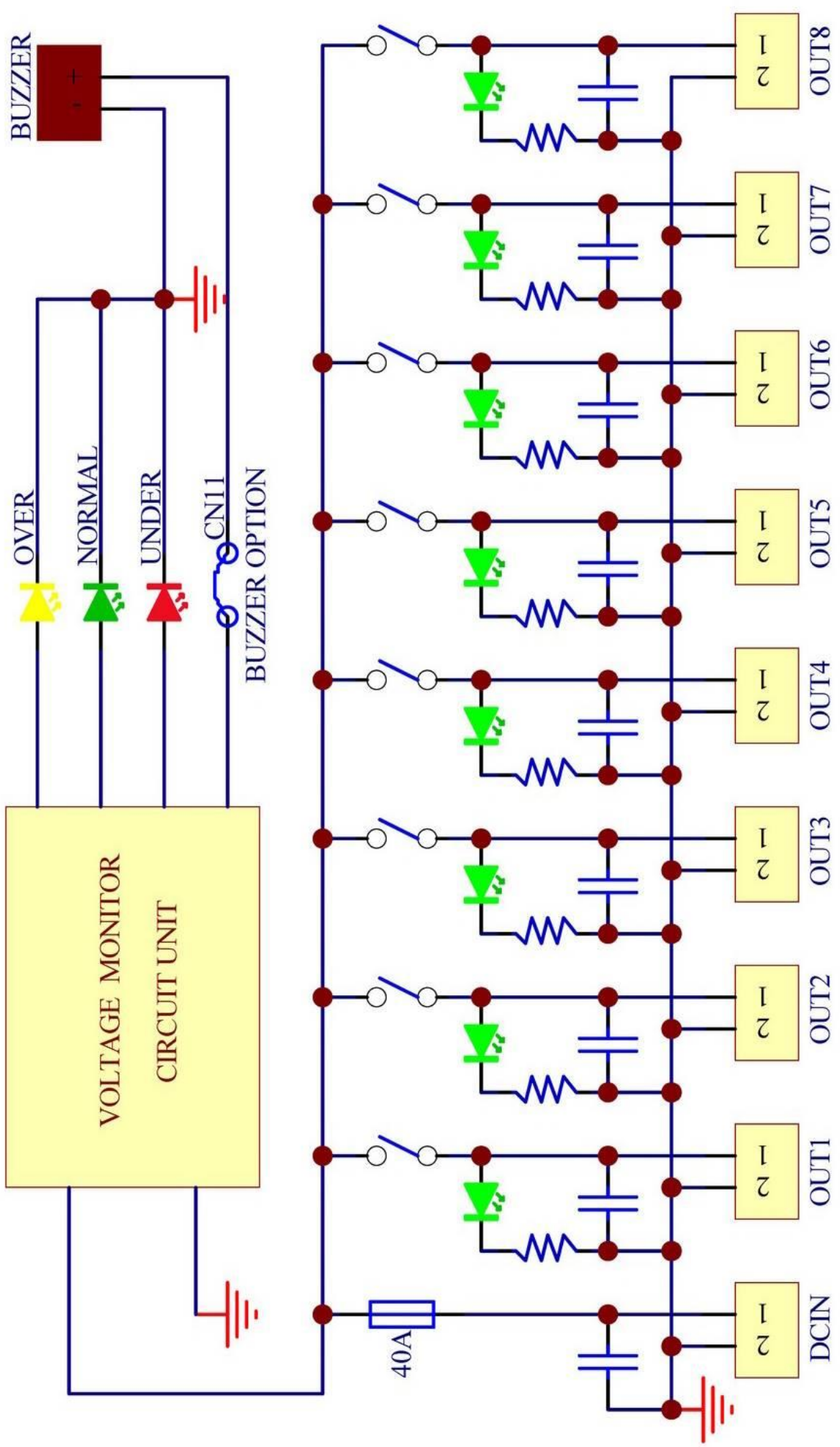
Features:

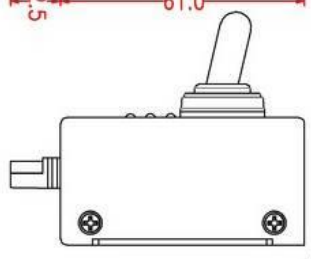
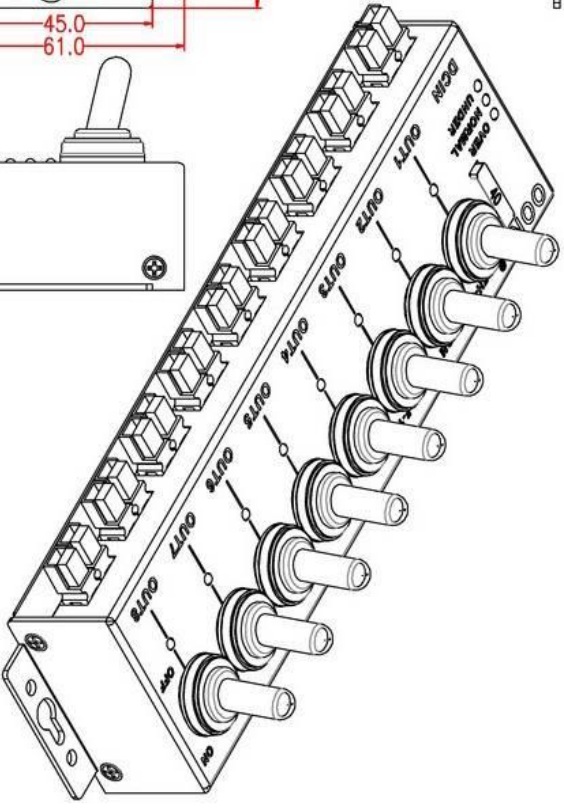
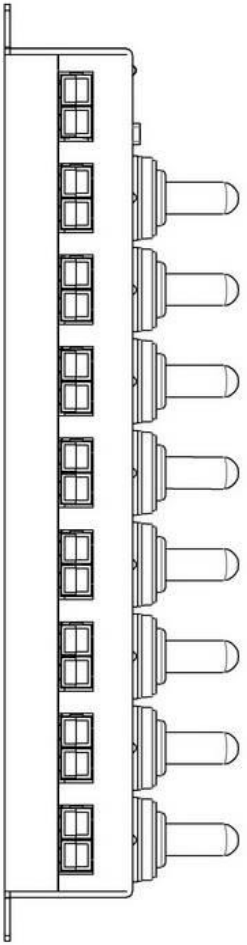
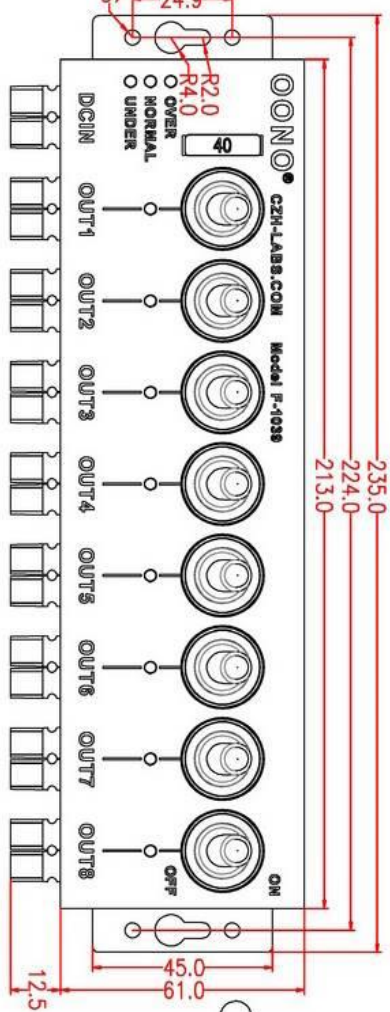
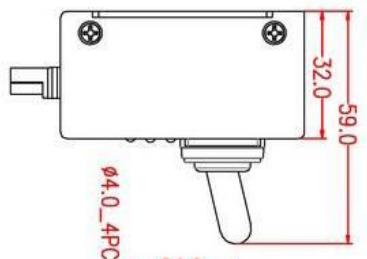
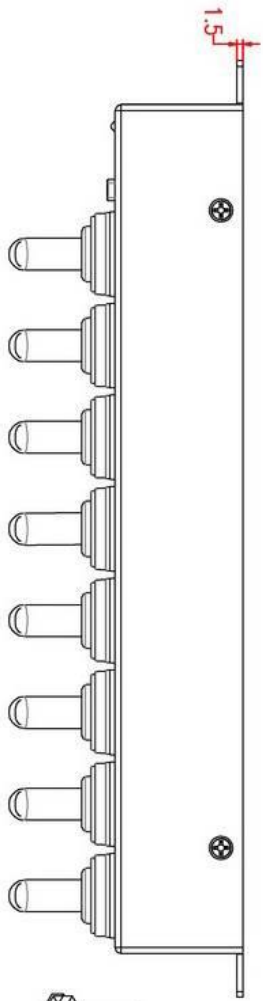
- Operating voltage: 6 to 20VDC, No-load quiescent current: 2.7mA(at 13.8V).
- Input port: maximum input current 40A, with a 40A fuse. Output port: 8 output ports, each port has an independent toggle switch and a power-on LED indicator, each port maximum output current 20A.
- Voltage over(15.0V) and under(11.5V) LED indicators, and buzzer audio alarm for over voltage or under voltage. if you do not want to hear the alarm, you can open the aluminum case to remove the CN11 buzzer pin jumper.



- Packing list: 1x F-1039 distribution module, 9 black powerpole housings, 9 red powerpole housings, 9 PVC cover flame retardant sleeve, 18 silver plated copper 30A 14-12AWG powerpole contacts, 2x tinned copper 45A 12-10AWG powerpole contacts.
- Enclosure: High quality aluminum enclosure, thickness 1.5mm / 0.06". Support screw mount, wall mount, of course can also be placed on the desktop. If you purchase together our CASE-015 DIN adapter bracket, it can also be installed on 35mm, 32mm or 15mm DIN rail.
- Overall dimensions(maximum, w/o cables): L 235mm x W 73.5mm x H 59mm / 9.25" x 2.89" x 2.32". Weight: 470g / 16.5 oz.

Schematic





size unit:mm

