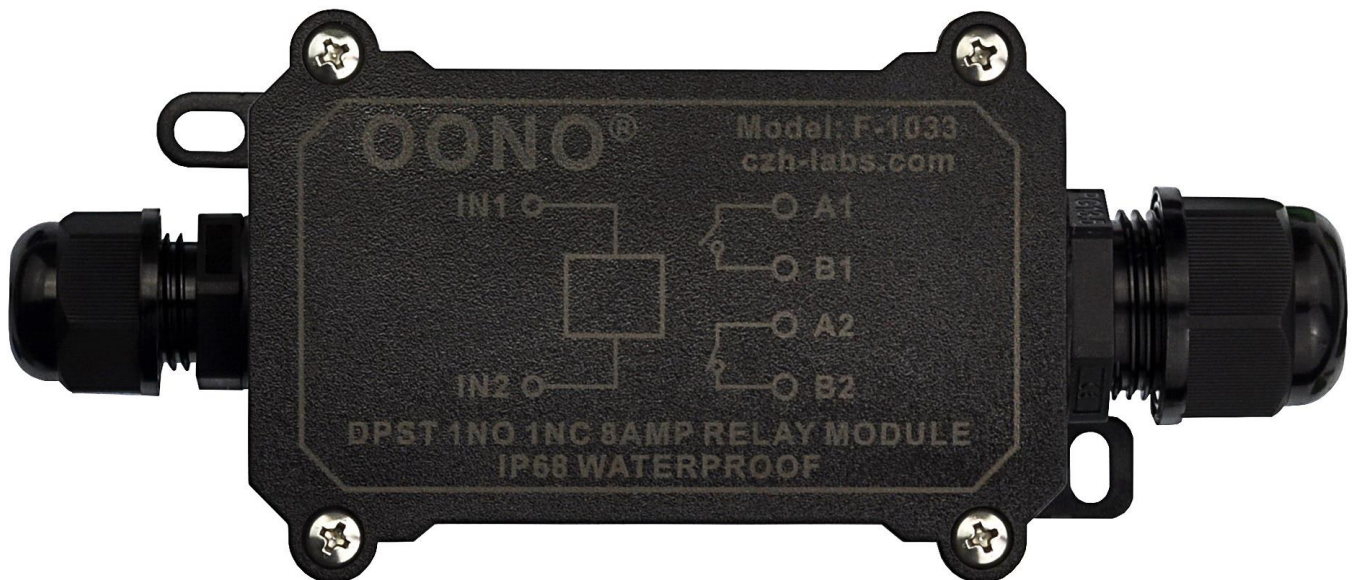


OONO[®]

CZH-LABS.com

IP68 Waterproof
DPST 1NO 1NC 8Amp Power Relay Module
Model: F-1033 Series



Features:

- Input control signal version: AC/DC 5V, AC/DC 12V, AC/DC 24V, AC/DC 48V, AC 115V, AC 230V six versions selectable.
- Output switch DPST 1NO 1NC(Double Pole Single Throw, 1x Normally Open and 1x Normally Close), rated current 8A/250VAC or 8A/30VDC (for one switch).
- Waterproof rating: IP68. Flame retardant rating V1. Case material: PC (Polycarbonate). Seal material: Silicone rubber. External screw: 304 stainless steel.
- Input cable gland: PG9, cable diameter range 4mm ~ 8mm(0.157" to 0.315"). Output cable gland: PG13.5, cable diameter range 7mm ~ 12mm(0.276" to 0.472").
- This is a simple and practical passive relay module, which is very convenient to use. It can support both Normally Open and Normally Close. NOTE: Although the waterproof rating of this product is IP68, we do not recommend you to soak it in water for a long time.

Specifications:

Input Control Signal:

	F-1022 5V	F-1022 12V	F-1022 24V	F-1022 48V	F-1022 115V	F-1022 230V
Action voltage	AC 4.0 – 6.0V or DC 4.2 - 6.5V	AC 10 - 13V or DC 9.6 - 15V	AC 16 - 25V or DC 19 - 30V	AC 36 - 50V or DC 38 - 60V	AC 87 - 143	AC 174 - 286V
Action current	80mA @5V	33mA @12V	17mA @24V	9mA @48V	6mA @115V	3mA @230V

Output Switch:

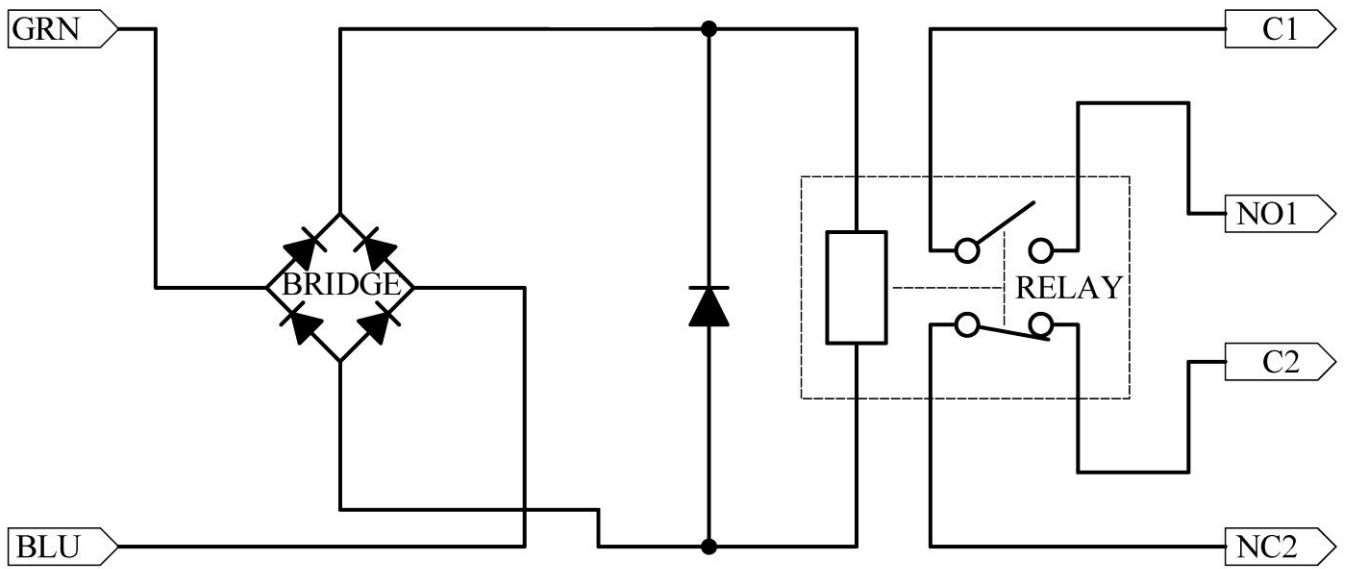
	F-1022 5V 12V 24V 48V 115V 230V
Rated load	8A 250VAC, 8A 30VDC (resistive load).
Durability	30,000 operations at 250 VAC, 8 A (Resistive load, 1,800 operations per hour) 30,000 operations at 30 VDC, 8 A (Resistive load, 1,800 operations per hour)

Input and Output Status:

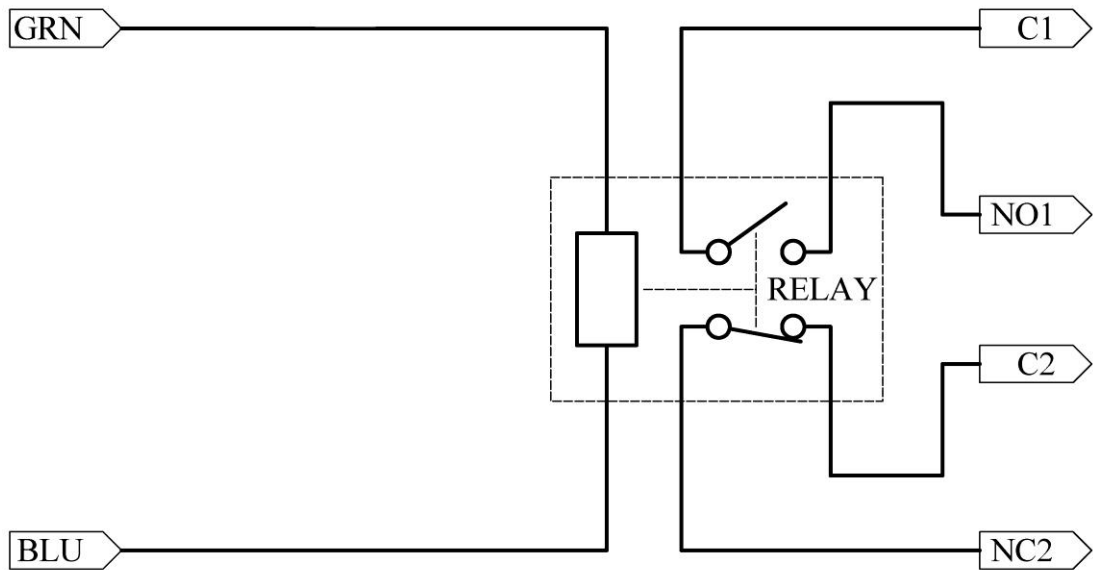
Input Signal	Output Switch
Low (or no connect)	SW1 C1 to NO1 disconnect SW2 C2 to NC2 connected
High	SW1 C1 to NO1 connected SW2 C2 to NC2 disconnect

Schematic:

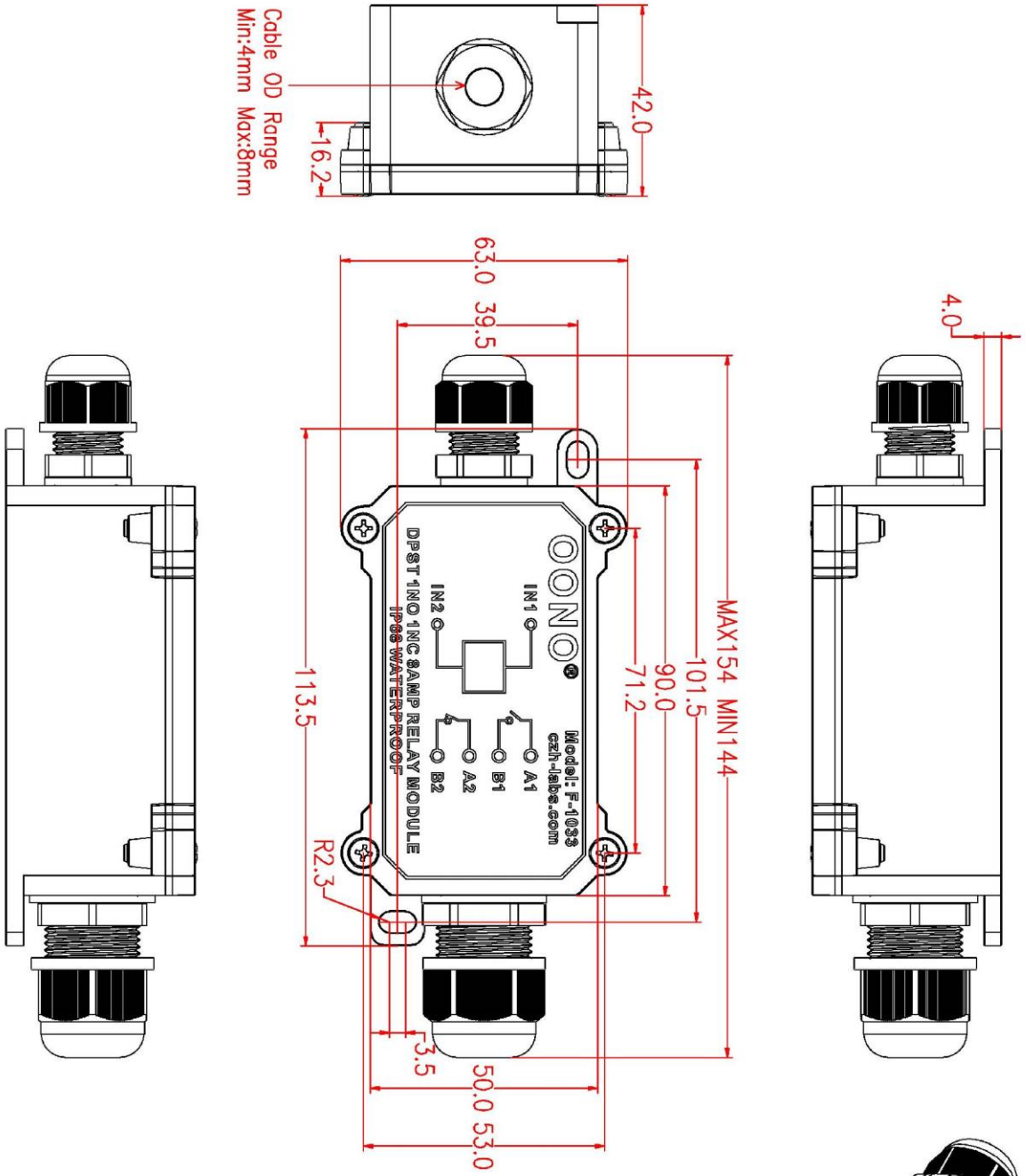
For AC/DC 5V 12V 24V 48V Versions



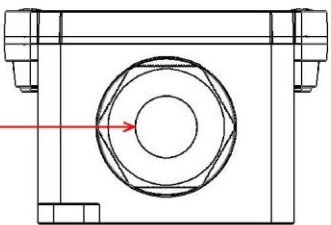
For AC 115V 230V versions



Dimensions:



Cable OD Range
Min:7mm Max:12mm



size unit:mm

