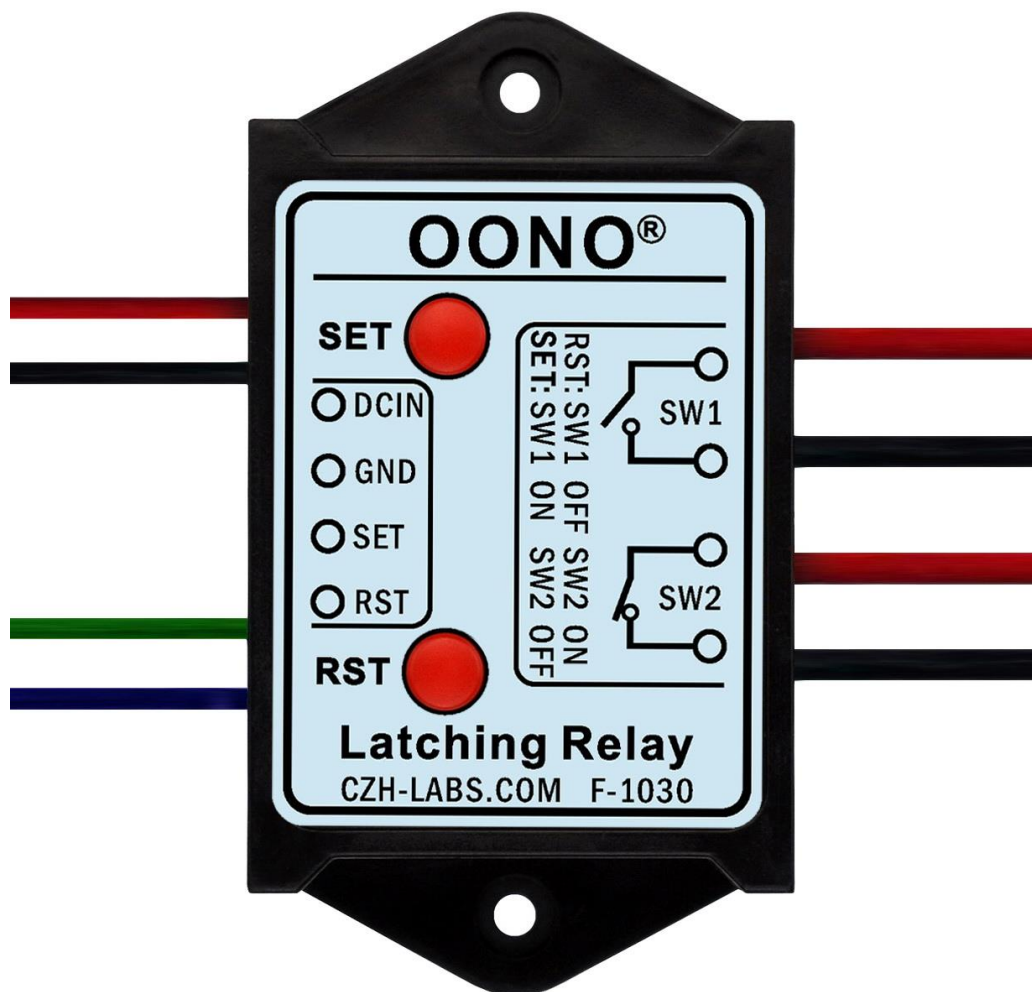


OONO[®]

CZH-LABS.com

DPST 1NO 1NC 8Amp Latching Relay Module

Model: F-1030 series



Features:

- If you are looking for a latching relay with power-off memory, then this module will be very suitable for you. Even if the power supply is turned off, the status of the output switch will not be affected in any way, it will remain in the state before the power was turned off.
- This is a simple and practical latching relay module, which is very convenient to use. It can support both Normally Open and Normally Close. Two screw mounting holes are convenient for you to fix it on the wall or wooden board. Of course, you can also choose not to lock the screw. Compact plastic case and wires connects for easy mount.
- Support three input control modes: 1, Use Set and Reset buttons on the module(No external control switch or signal is required). 2, External Set and Reset button(Support Momentary-action switch, but can't support Self-holding switch). 3, for Sink/NPN output controller.
- Operating voltage version: DC 5V, 12V and 24V three versions selectable. Output switch DPST 1NO 1NC(Double Pole Single Throw, 1x Normally Open and 1x Normally Close), rated current 8A/250VAC or 8A/30VDC (for one switch).

Specifications:

Input Control:

	F-1030 5V	F-1030 12V	F-1030 24V
Power Supply Voltage	DC 4.0 - 6.5V	DC 9.6 – 15.6V	DC 19.2 – 31.2V
Set or Reset Switch Disconnect Voltage	= Power Supply Voltage		
Set or Reset Switch Connected Current	120mA	50mA	27mA
Input Pulse Width or Switch Press Time	Must > 100mS		

Output Switch:

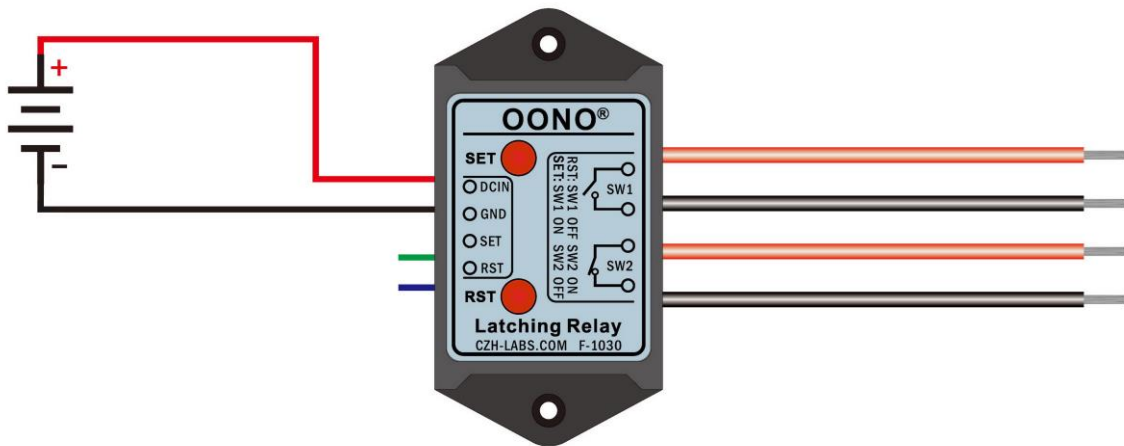
	F-1030 5V / 12V / 24V
Rated load	8A 250VAC, 8A 30VDC (resistive load).
Durability	30,000 operations at 250 VAC, 8 A (Resistive load, 1,800 operations per hour) 30,000 operations at 30 VDC, 8 A (Resistive load, 1,800 operations per hour)

Input and Output Status:

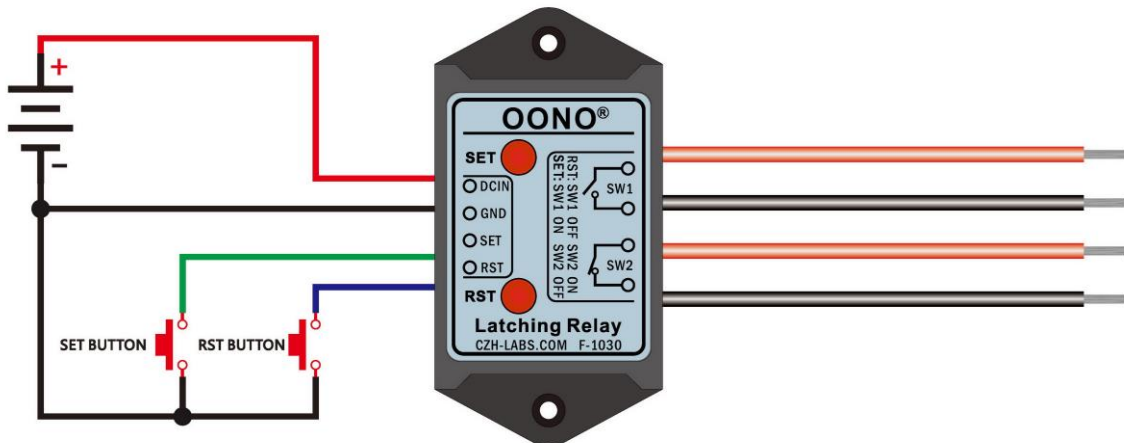
Input	Output Switch
Click SET Button	SW1 connected SW2 disconnect
Click RST(reset) Button	SW1 disconnect SW2 connected

Control Mode Wire Connects:

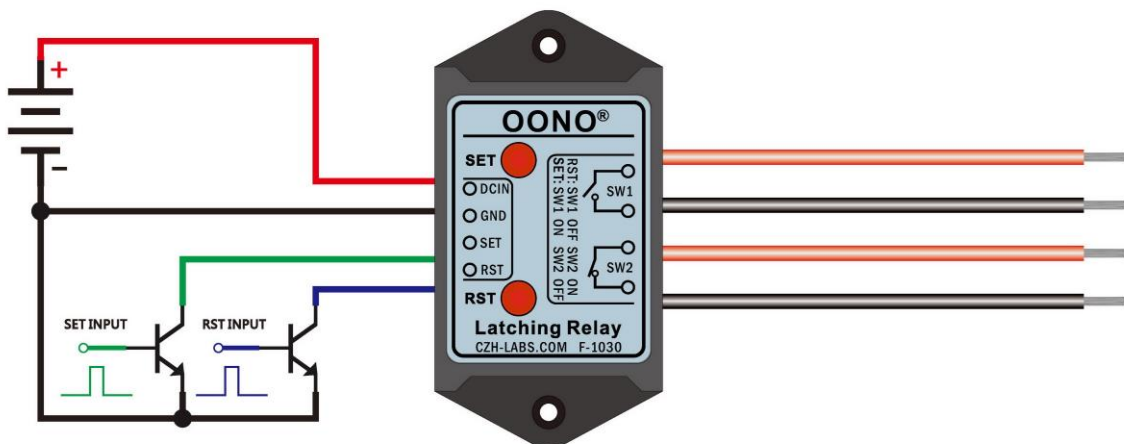
1, Use the Set and Reset buttons on the module. (No external control switch or signal is required)



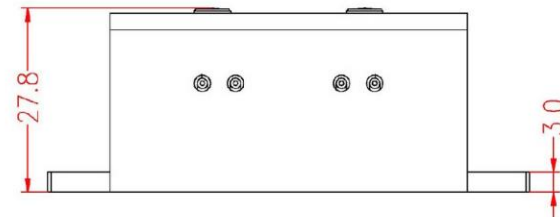
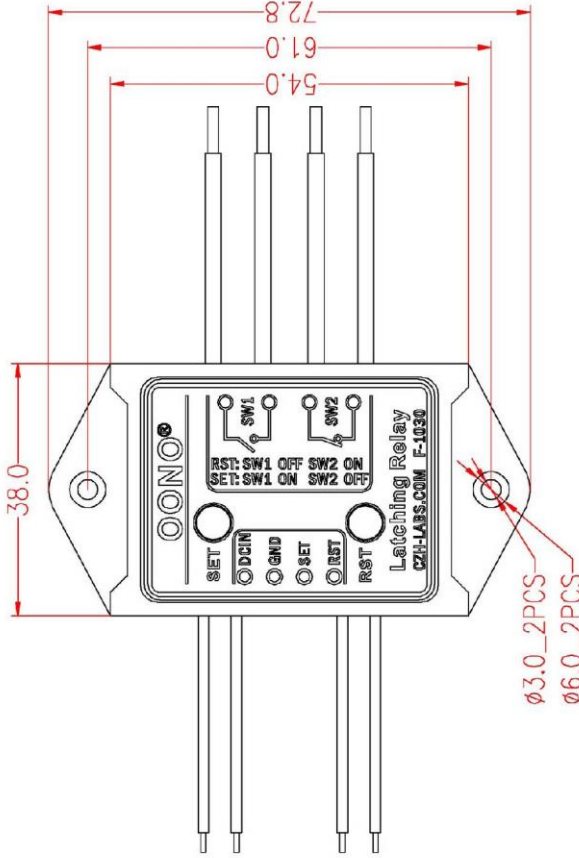
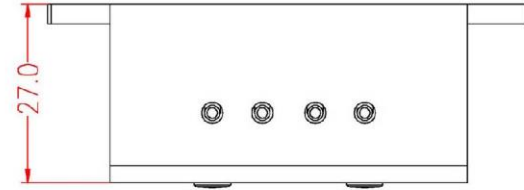
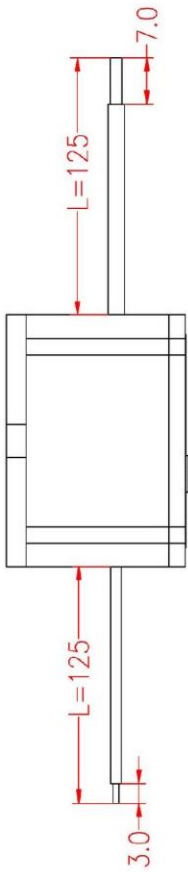
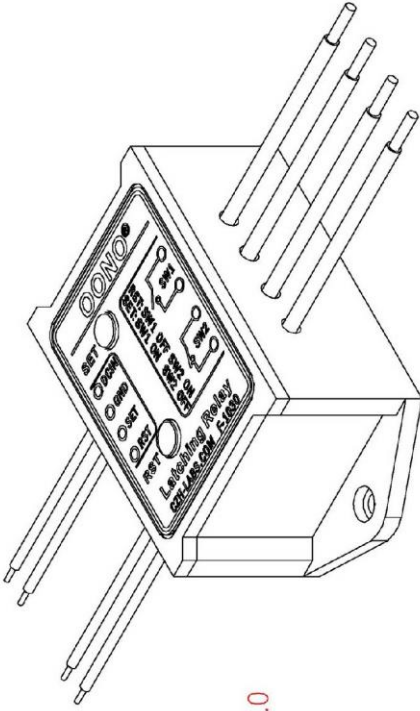
2, External Set and Reset button (Support Momentary-action switch, but can't support Self-holding switch).



3, For Sink/NPN output controller.



Dimensions:



size unit:mm

