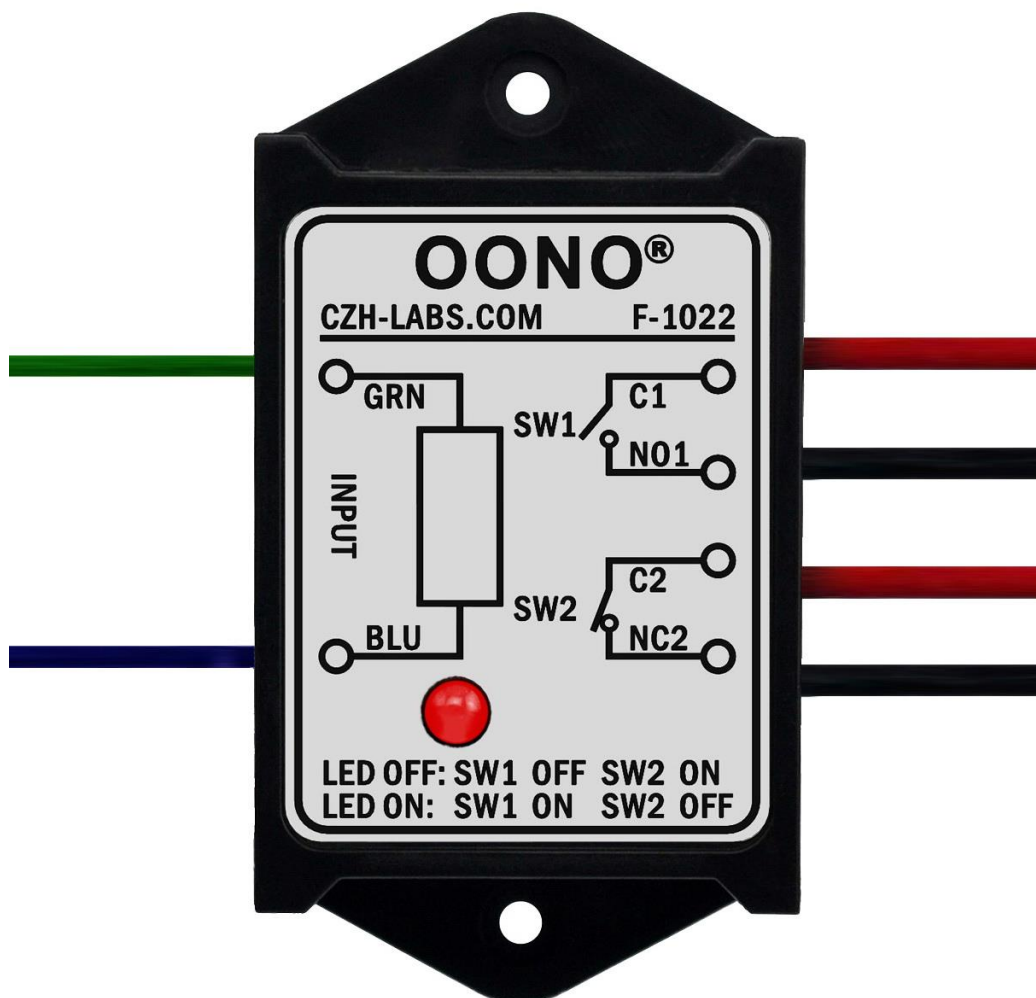


OONO[®]

CZH-LABS.com

DPST 1NO 1NC 8Amp Power Relay Module

Model: F-1022 series



Features:

- Input control signal version: AC/DC 5V, AC/DC 12V, AC/DC 24V, AC/DC 48V, AC 115V, AC 230V six versions selectable.
- Output switch DPST 1NO 1NC(Double Pole Single Throw, 1x Normally Open and 1x Normally Close), rated current 8A/250VAC or 8A/30VDC (for one switch).
- Compact plastic case and wires connects for easy mount.
- LED indication for relay action.
- This is a simple and practical passive relay module, which is very convenient to use. It can support both Normally Open and Normally Close. Two screw mounting holes are convenient for you to fix it on the wall or wooden board. Of course, you can also choose not to lock the screw.

Specifications:

Input Control Signal:

	F-1022 5V	F-1022 12V	F-1022 24V	F-1022 48V	F-1022 115V	F-1022 230V
Action voltage	AC 4.0 – 6.0V or DC 4.2 - 6.5V	AC 10 - 13V or DC 9.6 - 15V	AC 16 - 25V or DC 19 - 30V	AC 36 - 50V or DC 38 - 60V	AC 87 - 143	AC 174 - 286V
Action current	80mA @5V	33mA @12V	17mA @24V	9mA @48V	6mA @115V	3mA @230V

Output Switch:

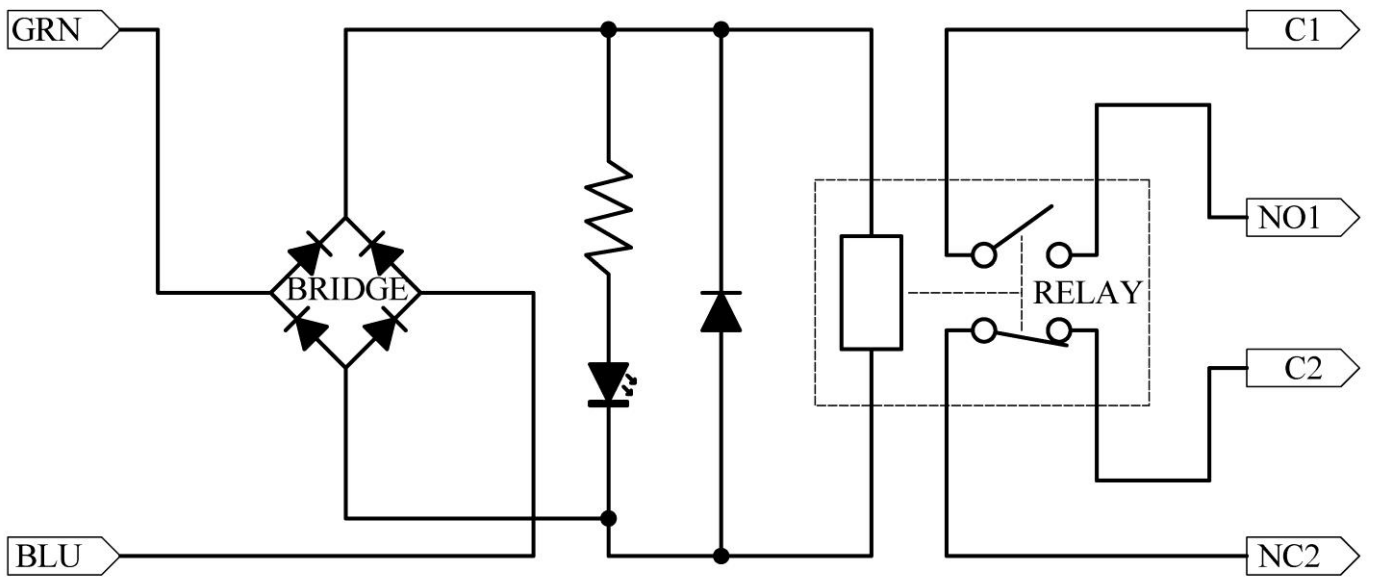
	F-1022 5V 12V 24V 48V 115V 230V
Rated load	8A 250VAC, 8A 30VDC (resistive load).
Durability	30,000 operations at 250 VAC, 8 A (Resistive load, 1,800 operations per hour) 30,000 operations at 30 VDC, 8 A (Resistive load, 1,800 operations per hour)

Input and Output Status:

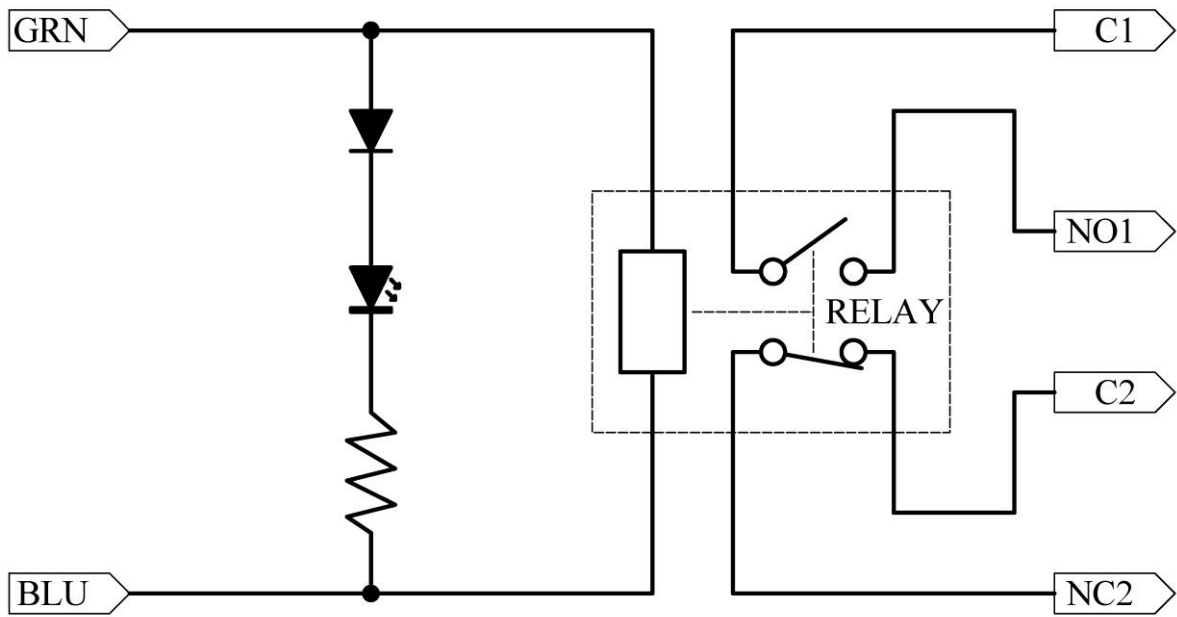
Input Signal	LED	Output Switch
Low (or no connect)	OFF	SW1 C1 to NO1 disconnect SW2 C2 to NC2 connected
High	ON	SW1 C1 to NO1 connected SW2 C2 to NC2 disconnect

Schematic:

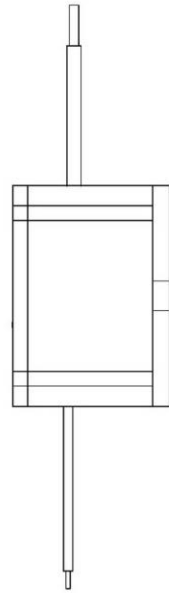
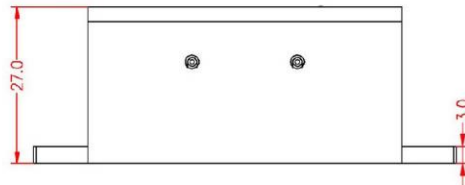
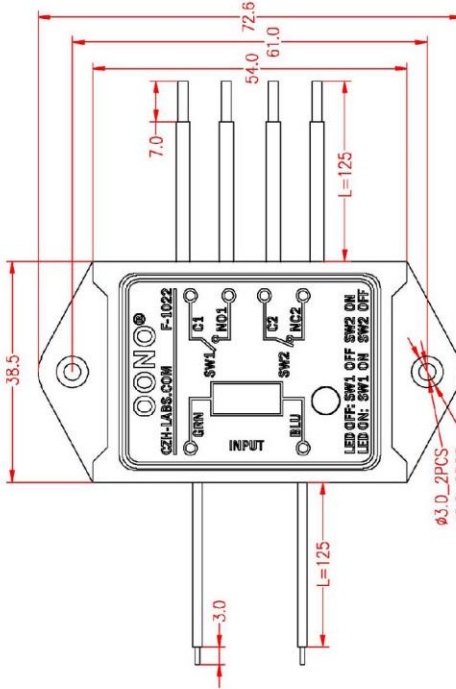
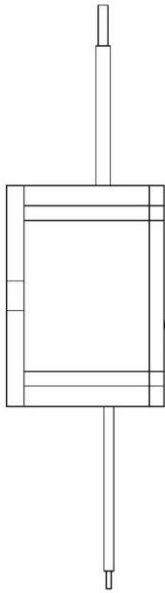
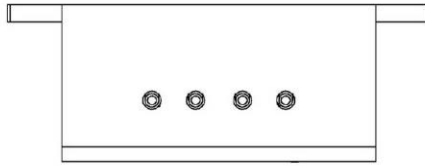
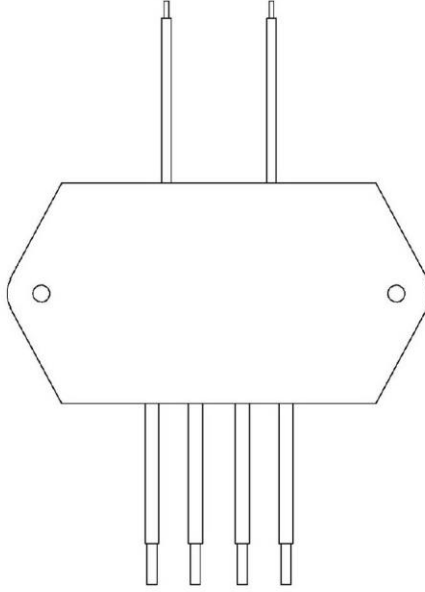
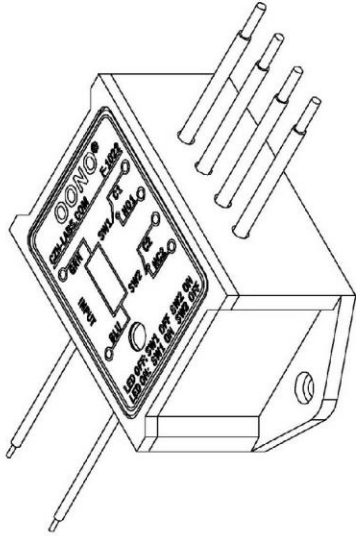
For AC/DC 5V 12V 24V 48V Versions



For AC 115V 230V versions



Dimensions:



size unit:mm

