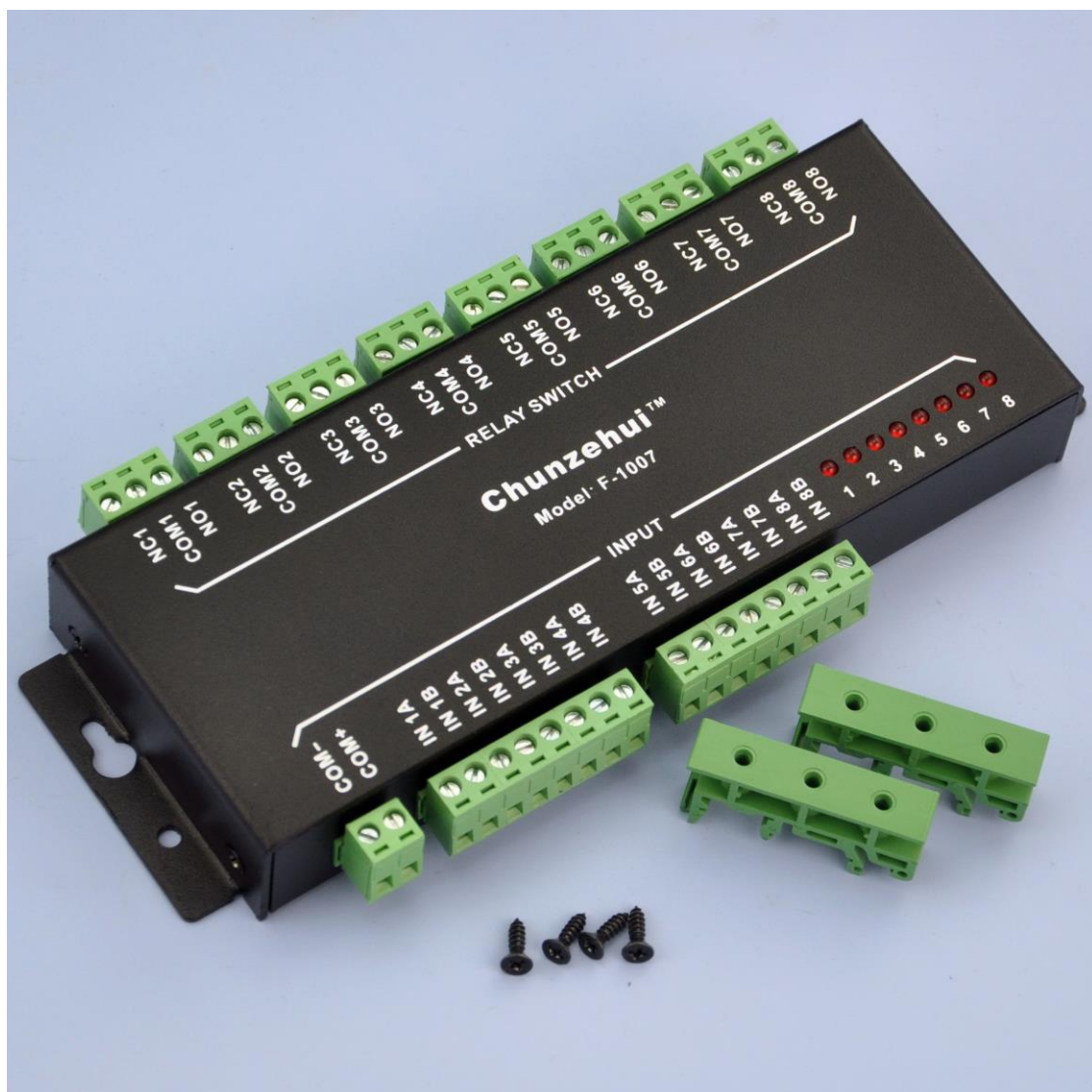


Chunzehui

CZH-LABS.com

Passive AC/DC24V 8 SPDT 10Amp Power Relay Module
with Aluminum Enclosure
Model: F-1007N



Features:

- Input control support 24V AC or DC signal, can flexible selection control mode, for Separate controls, for all relays Together control, for Source (PNP, common negative) or Sink (NPN, common positive) output controllers.
- Relay action LED indication corresponds to each channel.
- Thickness 1.5mm/0.06" aluminum enclosure, support Wall-mount and DIN rail mount. high quality fireproof nylon material DIN rail mount bracket, can support width 35mm / 32mm / 15mm rails.
- High quality Panasonic JS1-24V-F relay, FR-4 glass fiber PCB. double tested before shipment. High quality pluggable screw terminal block, easy and flexible connecting wires.

Specification:

Input control:

Control action voltage ---- DC 20~30V, or AC 18~26V

Control action current ---- 15mA(at DC24V or AC24V, one channel)
---- 120mA(at DC24V or AC24V, all channels)

Output switch (one channel):

Contact form ---- SPDT(Single Pole Double Throw, 1 form C)

Contact capacity ---- 10A 250VAC, 10A 30VDC (resistive load).
---- 5A 120VAC, 5A 28VDC (inductive load).

Max. ON/OFF switching ---- Mechanically: 300 operations / minute.
---- Electrically: 30 operations / minute.

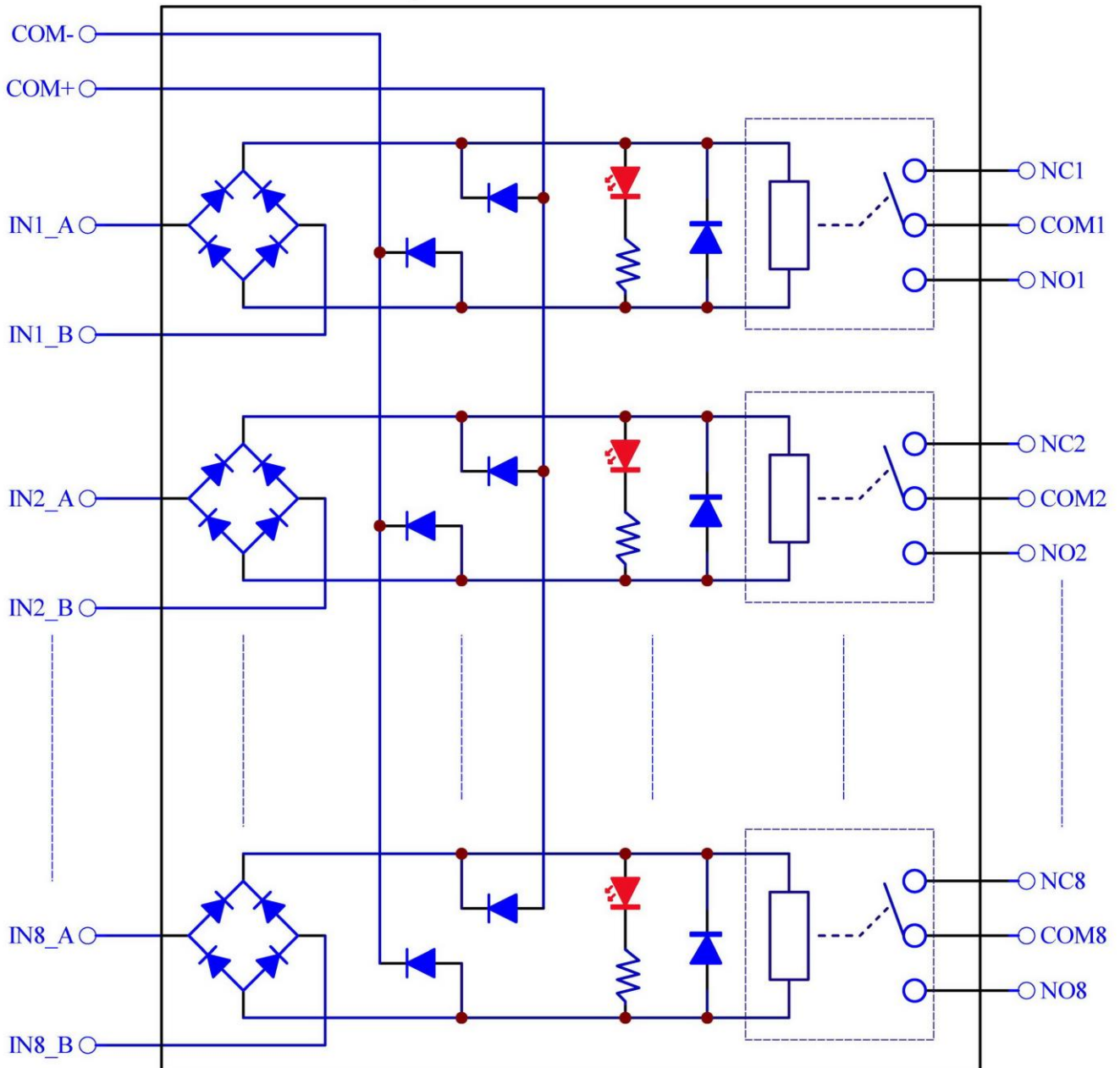
Life expectancy ---- Mechanically: > 100,000,000 operations (no load).

---- Electrically: > 1,000,000 operations (at rated coil voltage).

Terminal block:

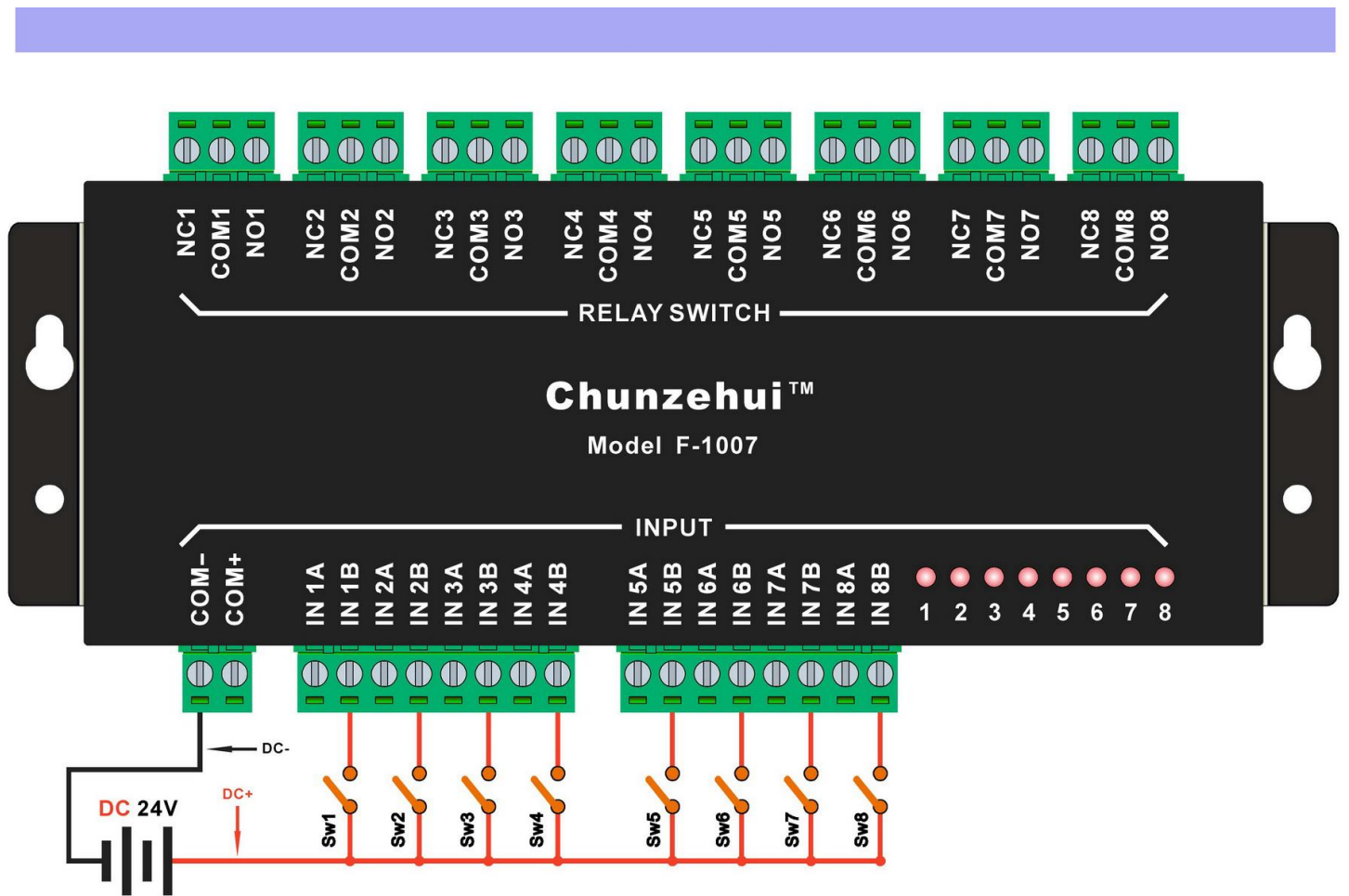
Pluggable screw terminal block, pitch - 5.08mm/0.2", wire size 28~12 AWG, stripping length 7mm, Metric M2.5 slotted screw.

Equivalent Schematic



Input Control Mode:

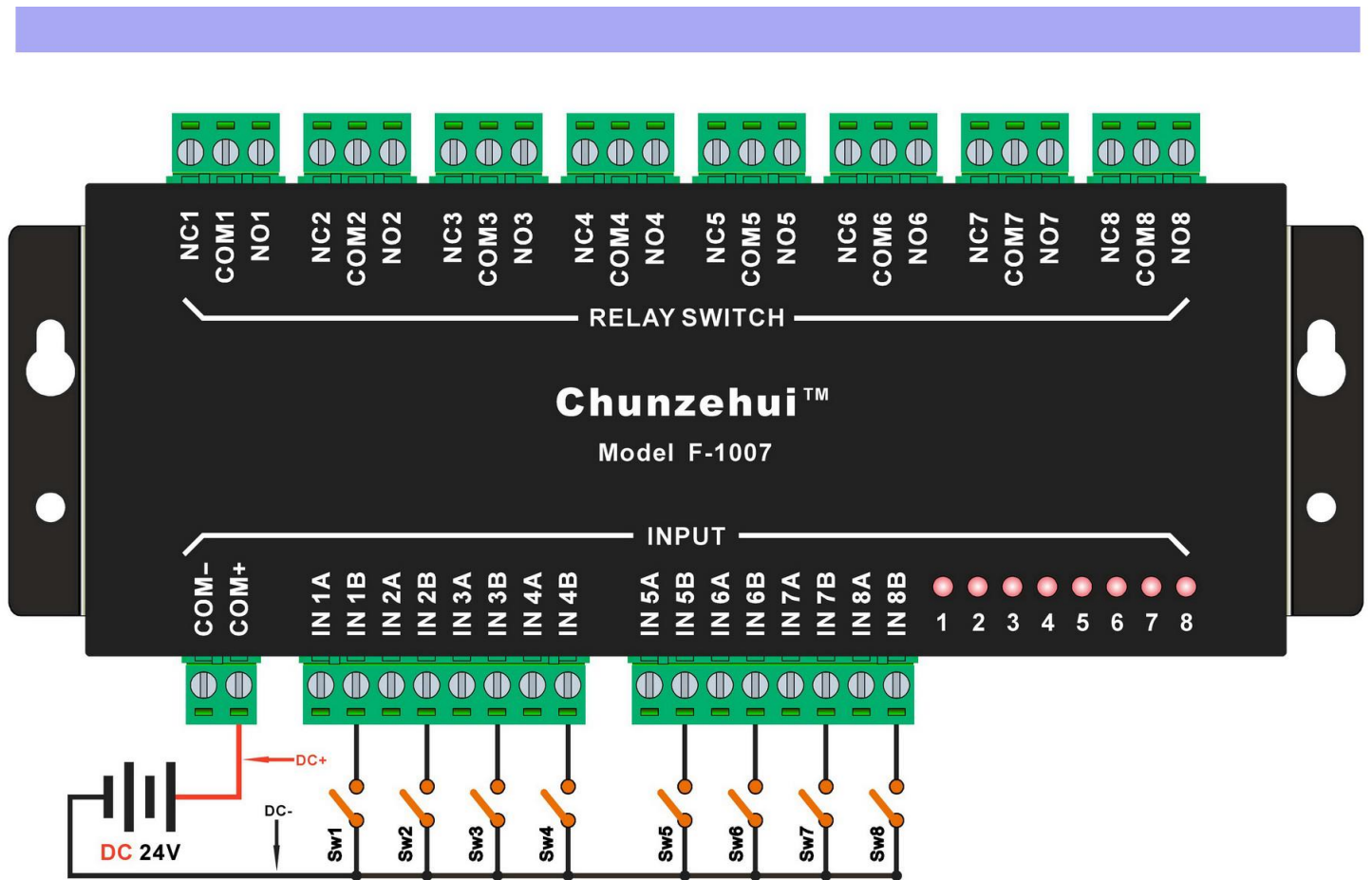
For DC, Common Negative mode:



For DC, Common Negative control mode, signal high level relay action. Suitable for Source(PNP, Common Negative)output controller.

Action Signal: DC 24V / 15mA (for each channel).

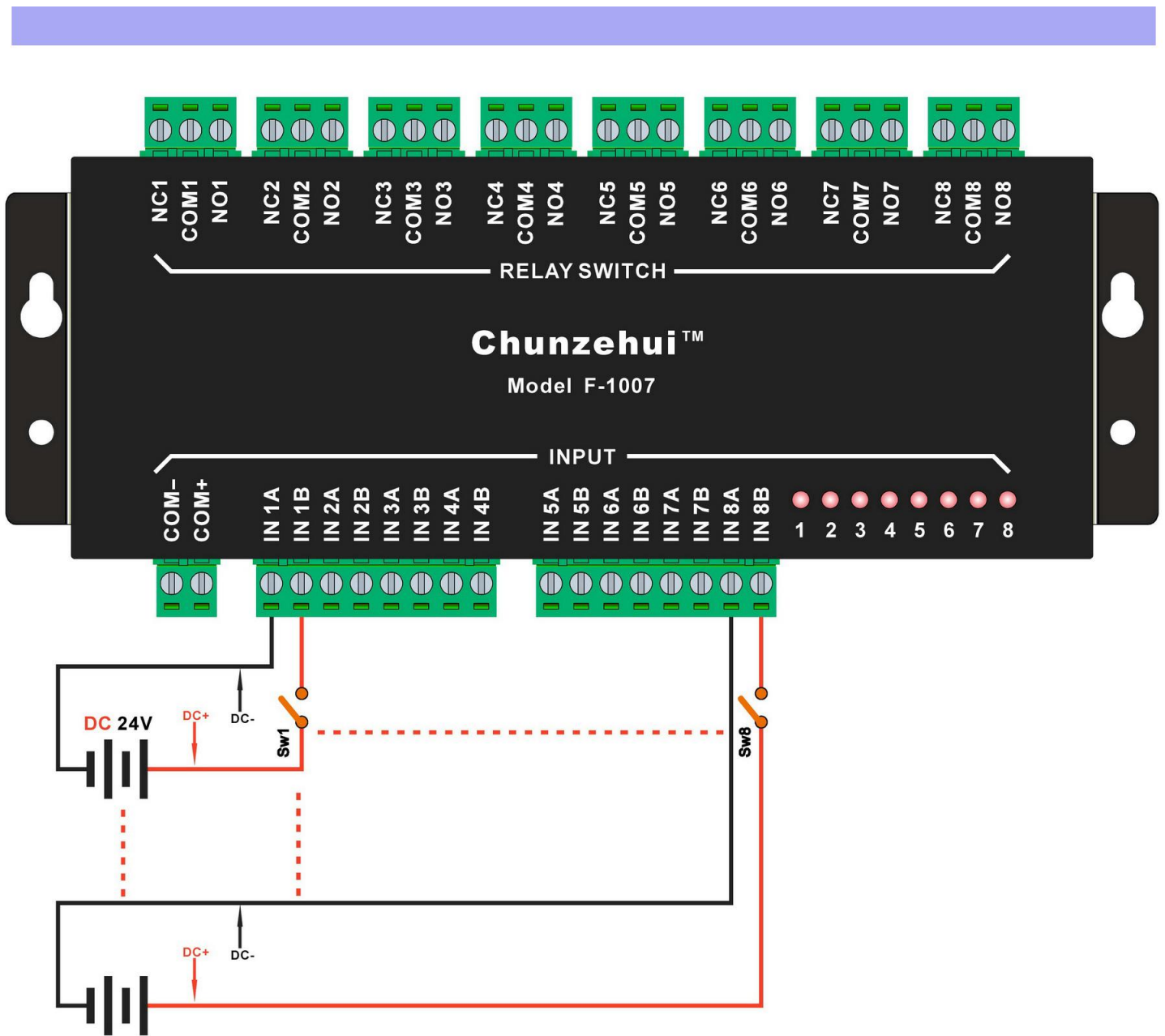
For DC, Common Positive mode:



For DC, Common Positive control mode, signal low level relay action. Suitable for Sink(NPN, Common Positive) output controller.

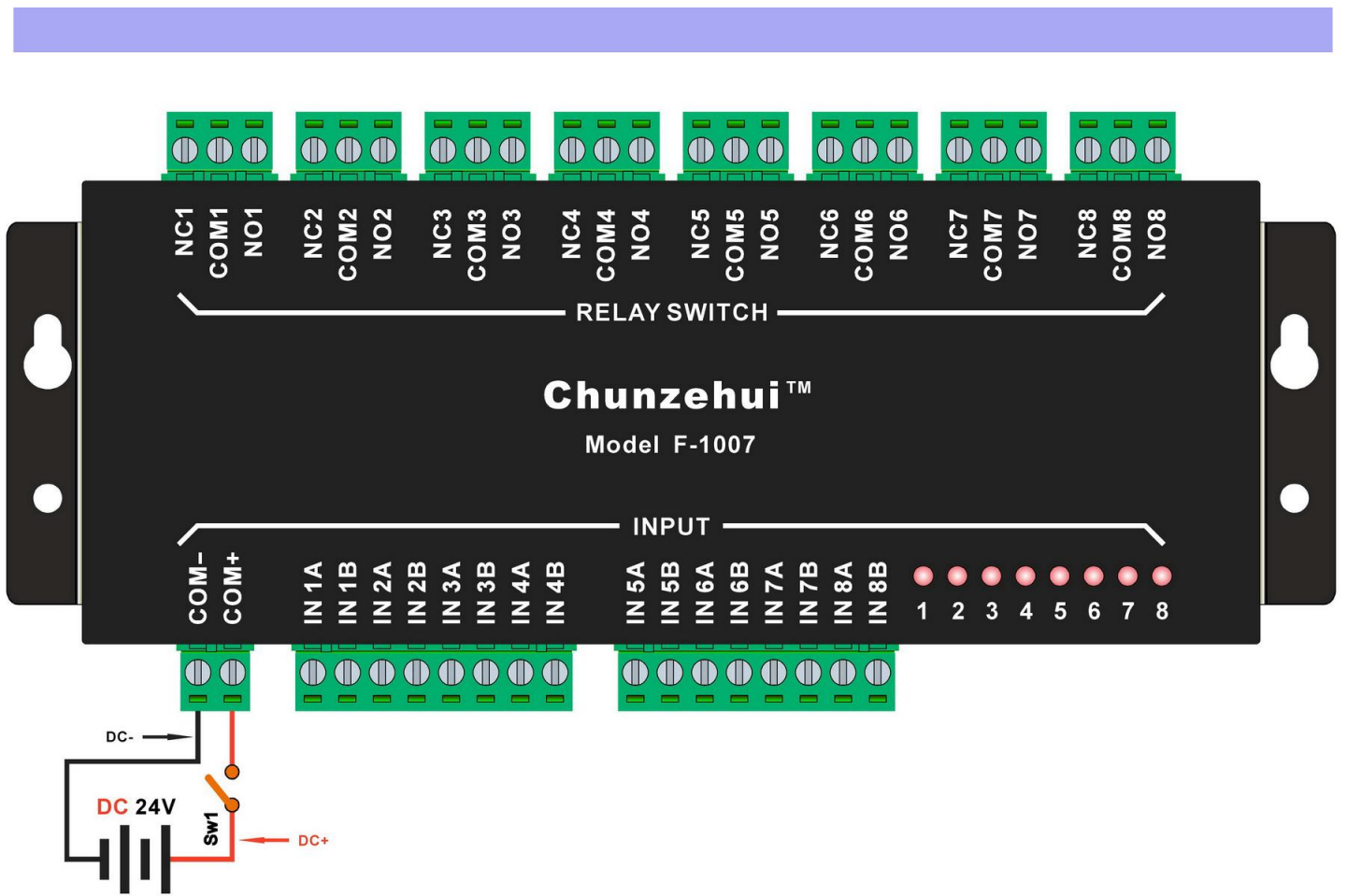
Action Signal: Low level 0V / 15mA (for each channel).

For DC, each relay is completely independent control:



For DC, each relay is completely independent control.
Action Signal: DC 24V / 15mA (for each channel).

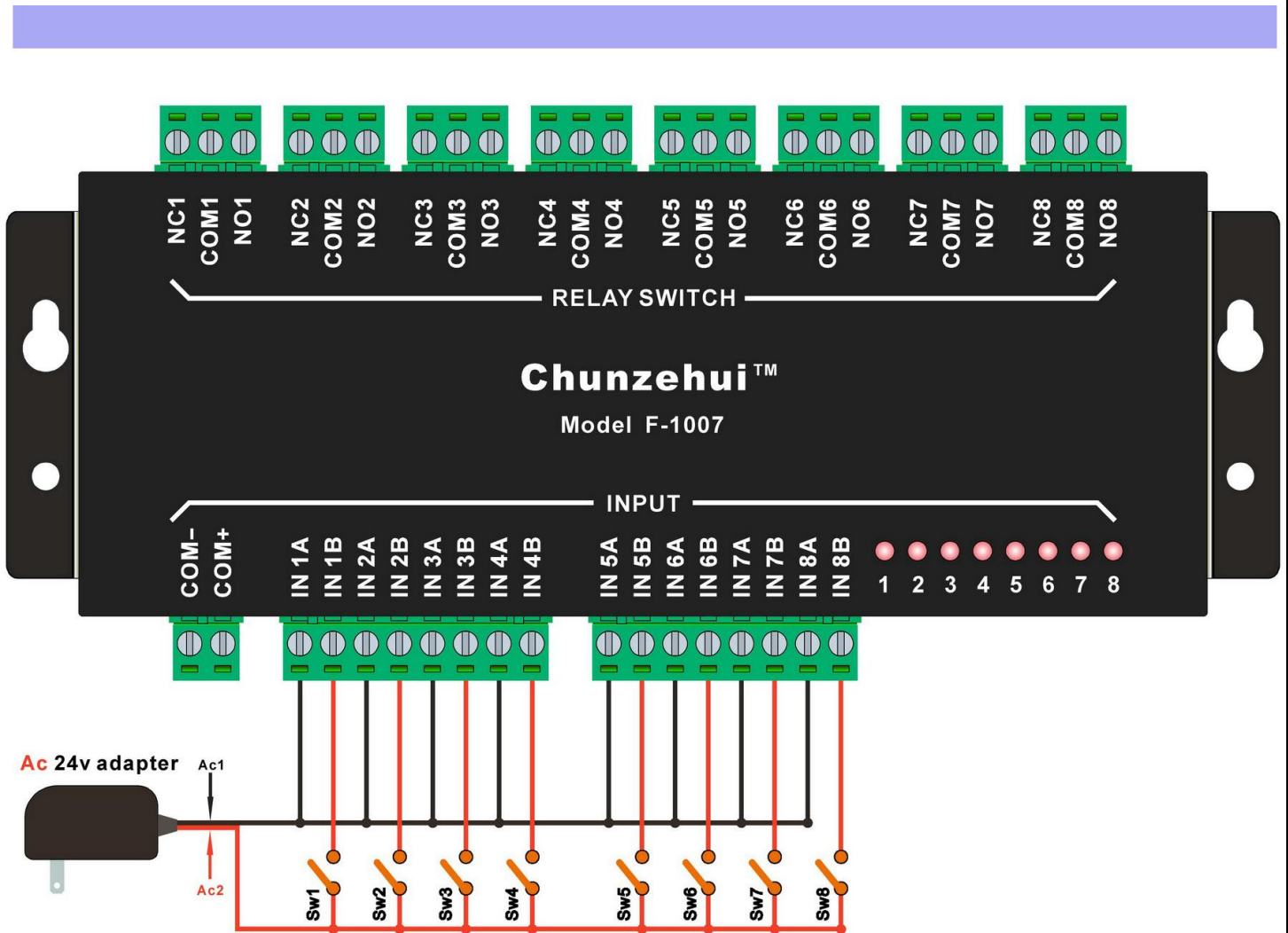
For DC, one switch control eight relays action at same time:



For DC, one switch control eight relays action at same time.

Action Signal: DC 24V / 120mA.

For AC, one AC signal source and eight switches, one switch control one relay to action:

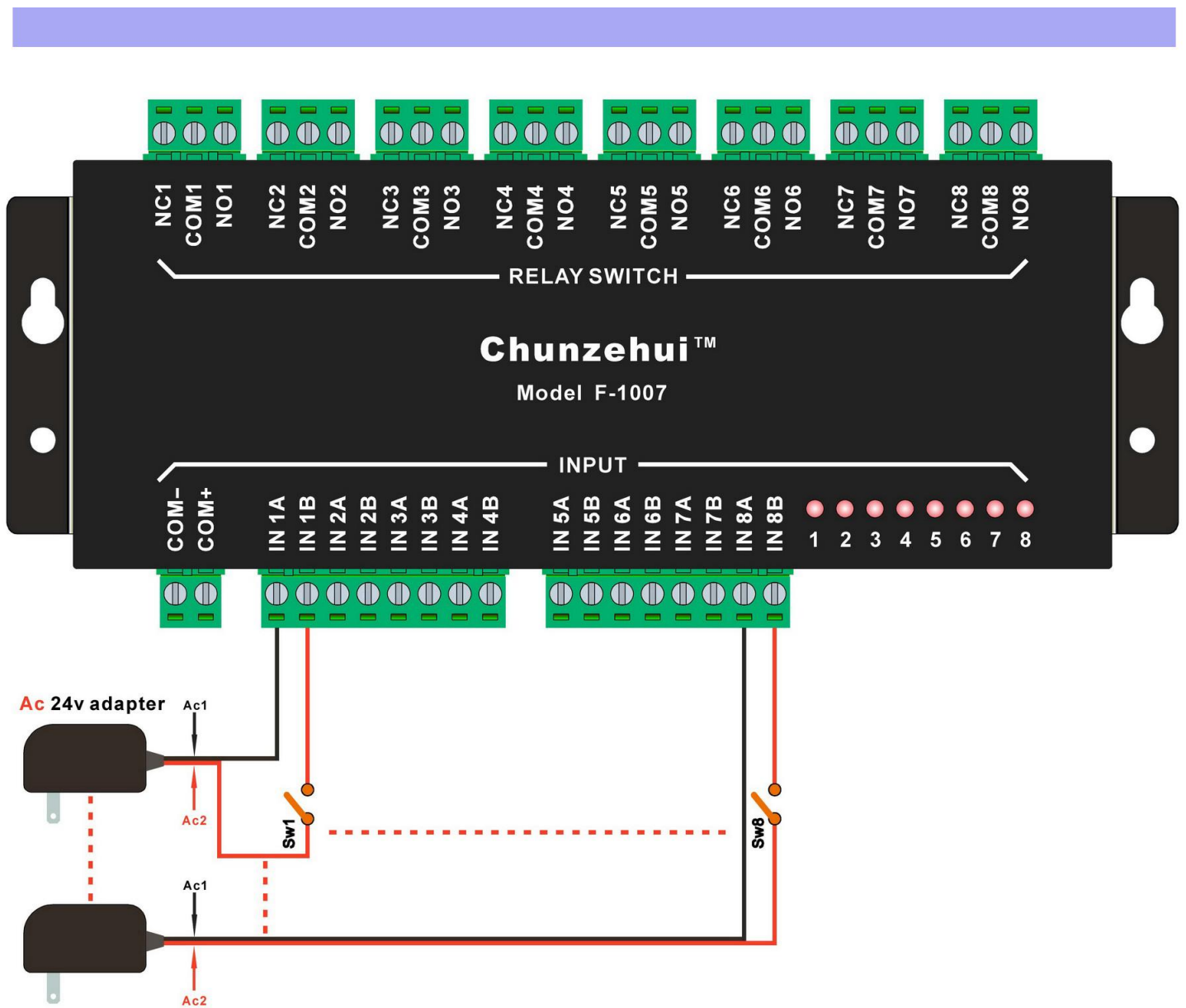


For AC, one AC signal source and eight switches, one switch control one relay to action.

Action Signal: AC 24V / 15mA (for each relay action)

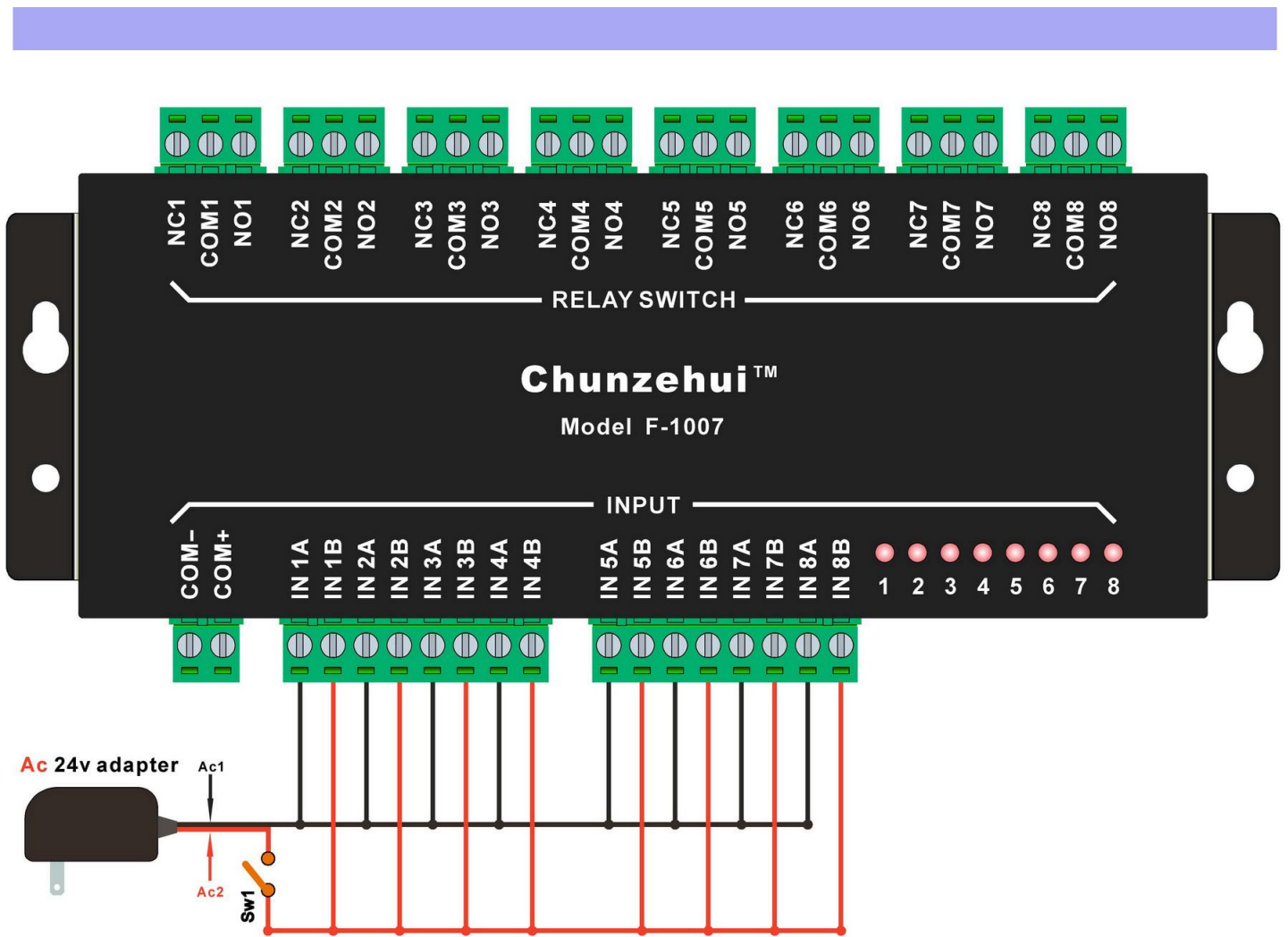
AC 24V / 120mA (for all relays action at same time)

For AC, each relay is completely independent control:



For AC, each relay is completely independent control.
Action Signal: AC 24V / 15mA (for each channel).

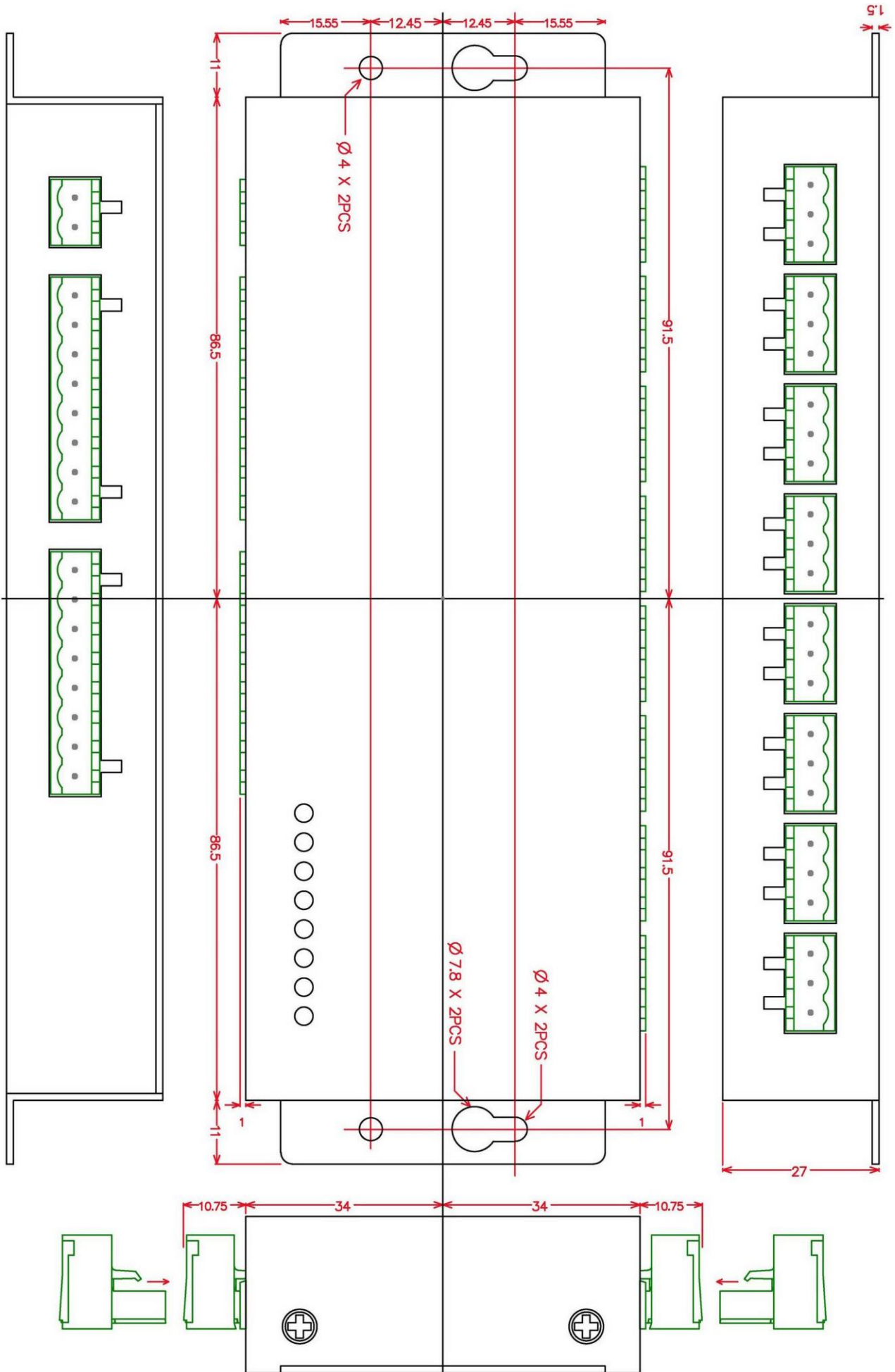
For AC, one switch control eight relays action at same time:



For AC, one switch control eight relays action at same time.
Action Signal: AC 24V / 120mA.

Dimensions:

Wall-mount size



DIN rail mount size

