

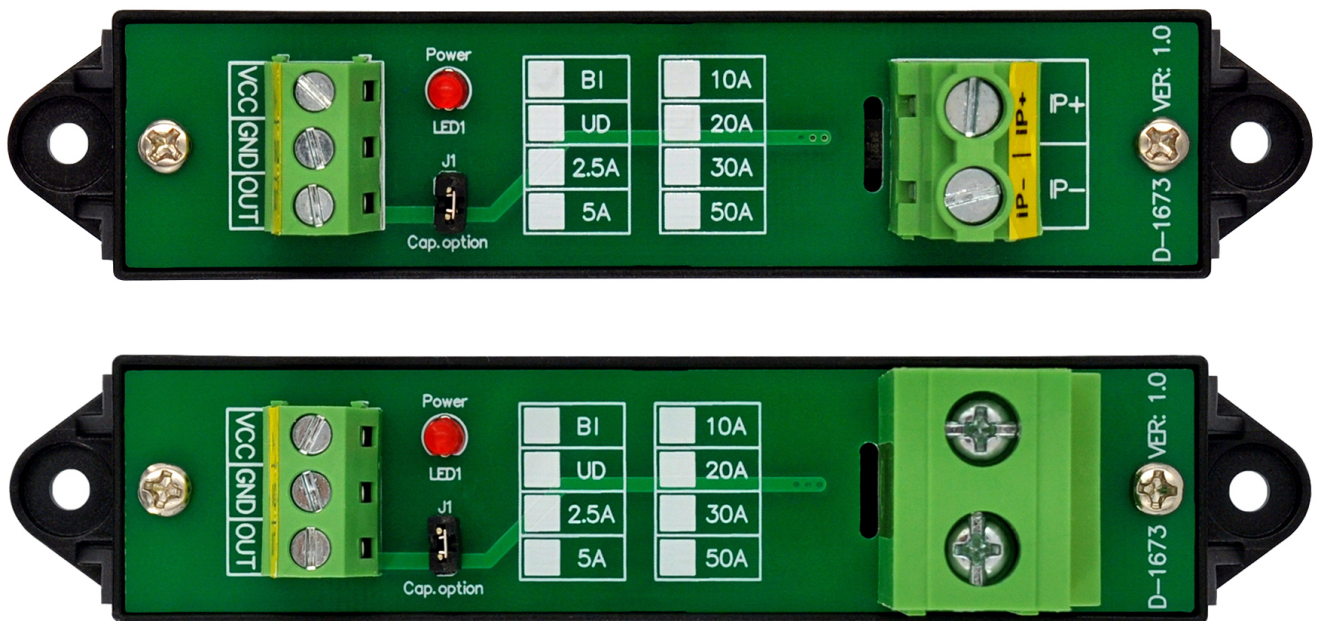
# OONO®

## CZH-LABS.com

### AC/DC 2.5 - 50 Amp Isolated Linear Current Sensor Module

Design based on hall-effect-based IC ACS712 ACS724 ACS725

**Model: D-1673 series**



### D-1673 Series Version List

Model	IC	Signal Side			Load Side			V-ISO	Bandwidth
		Vcc Voltage	Sensitivity	Zero-Current Output Voltage	Current Direction	Current Range	Rated Voltage		
D-1673A/B5	ACS712ELCTR-05B	DC 5V	185mV/A	1/2 Vcc	Bidirectional	±5 Amp	AC/Vrms 297V, DC/Vpk 420V	2400Vrms	80 kHz
D-1673A/B10	ACS712ELCTR-20A	DC 5V	100mV/A	1/2 Vcc	Bidirectional	±20 Amp	AC/Vrms 297V, DC/Vpk 420V	2400Vrms	80 kHz
D-1673A/B20	ACS712ELCTR-30A	DC 5V	66mV/A	1/2 Vcc	Bidirectional	±30Amp	AC/Vrms 297V, DC/Vpk 420V	2400Vrms	80 kHz
D-1673B/B2.5	ACS724LLCTR-2P5AB	DC 5V	800mV/A	1/2 Vcc	Bidirectional	±2.5 Amp	AC/Vrms 297V, DC/Vpk 420V	2400Vrms	120 kHz
D-1673B/B5	ACS724LLCTR-05AB	DC 5V	400mV/A	1/2 Vcc	Bidirectional	±5 Amp	AC/Vrms 297V, DC/Vpk 420V	2400Vrms	120 kHz
D-1673B/B10	ACS724LLCTR-10AB	DC 5V	200mV/A	1/2 Vcc	Bidirectional	±10 Amp	AC/Vrms 297V, DC/Vpk 420V	2400Vrms	120 kHz
D-1673B/B20	ACS724LLCTR-20AB	DC 5V	100mV/A	1/2 Vcc	Bidirectional	±20 Amp	AC/Vrms 297V, DC/Vpk 420V	2400Vrms	120 kHz
D-1673B/B30	ACS724LLCTR-30AB	DC 5V	66mV/A	1/2 Vcc	Bidirectional	±30 Amp	AC/Vrms 297V, DC/Vpk 420V	2400Vrms	120 kHz
D-1673B/B50	ACS724LLCTR-50AB	DC 5V	40mV/A	1/2 Vcc	Bidirectional	±50 Amp	AC/Vrms 297V, DC/Vpk 420V	2400Vrms	120 kHz
D-1673B/U5	ACS724LLCTR-05AU	DC 5V	800mV/A	1/10 Vcc	Unidirectional	5 Amp	DC / Vpk 420V	2400Vrms	120 kHz
D-1673B/U10	ACS724LLCTR-10AU	DC 5V	400mV/A	1/10 Vcc	Unidirectional	10 Amp	DC / Vpk 420V	2400Vrms	120 kHz
D-1673B/U20	ACS724LLCTR-20AU	DC 5V	200mV/A	1/10 Vcc	Unidirectional	20 Amp	DC / Vpk 420V	2400Vrms	120 kHz
D-1673B/U30	ACS724LLCTR-30AU	DC 5V	133mV/A	1/10 Vcc	Unidirectional	30 Amp	DC / Vpk 420V	2400Vrms	120 kHz
D-1673C/B5	ACS725LLCTR-05AB	DC 3.3V	264mV/A	1/2 Vcc	Bidirectional	±5 Amp	AC/Vrms 297V, DC/Vpk 420V	2400Vrms	120 kHz
D-1673C/B10	ACS725LLCTR-10AB	DC 3.3V	132mV/A	1/2 Vcc	Bidirectional	±10 Amp	AC/Vrms 297V, DC/Vpk 420V	2400Vrms	120 kHz
D-1673C/B20	ACS725LLCTR-20AB	DC 3.3V	66mV/A	1/2 Vcc	Bidirectional	±20 Amp	AC/Vrms 297V, DC/Vpk 420V	2400Vrms	120 kHz
D-1673C/B30	ACS725LLCTR-30AB	DC 3.3V	44mV/A	1/2 Vcc	Bidirectional	±30 Amp	AC/Vrms 297V, DC/Vpk 420V	2400Vrms	120 kHz
D-1673C/B50	ACS725LLCTR-50AB	DC 3.3V	26.4mV/A	1/2 Vcc	Bidirectional	±50 Amp	AC/Vrms 297V, DC/Vpk 420V	2400Vrms	120 kHz
D-1673C/U10	ACS725LLCTR-10AU	DC 3.3V	264mV/A	1/10 Vcc	Unidirectional	10 Amp	DC / Vpk 420V	2400Vrms	120 kHz
D-1673C/U20	ACS725LLCTR-20AU	DC 3.3V	132mV/A	1/10 Vcc	Unidirectional	20 Amp	DC / Vpk 420V	2400Vrms	120 kHz
D-1673C/U30	ACS725LLCTR-30AU	DC 3.3V	88mV/A	1/10 Vcc	Unidirectional	30 Amp	DC / Vpk 420V	2400Vrms	120 kHz

## Features:

- The item provides economical and precise solutions for AC or DC current sensing in industrial, commercial, and communications systems. Typical applications include motor control, load detection and management, switched-mode power supplies, and overcurrent fault protection. The device is not intended for automotive applications.
- This series of products are designed based on Hall-Effect-Based IC ACS712, ACS724 or ACS725. Available in unidirectional and bidirectional versions and from 2.5 - 200 Amps.
- Operating voltage VCC 3.3V and 5V versions are available. The red LED is used as an indicator of the operating voltage. The output signal terminal is connected to a load capacitor via a pin jumper, you can short-circuit or unplug it according to actual needs.
- Signal side terminal: Pitch 5.0mm/0.197", Wire range 26 - 12AWG / 2.5mm square, Strip length 7mm, Screws - M3.
- Load side terminal: Pitch 7.62mm/0.3", Wire range 26 - 10AWG / 4mm square, Strip length 8mm. Screws - M3 (for 2.5 - 30Amp versions). Pitch 10.16mm/0.4", Wire range 20 - 6AWG / 10mm square, Strip length 10mm, Screws - M4 (for 50Amp versions).
- UL CE CQC certified terminal blocks, FR-4 glass fiber PCB. Mounting base: PC (Polycarbonate plastic). Screw: 304 stainless steel.

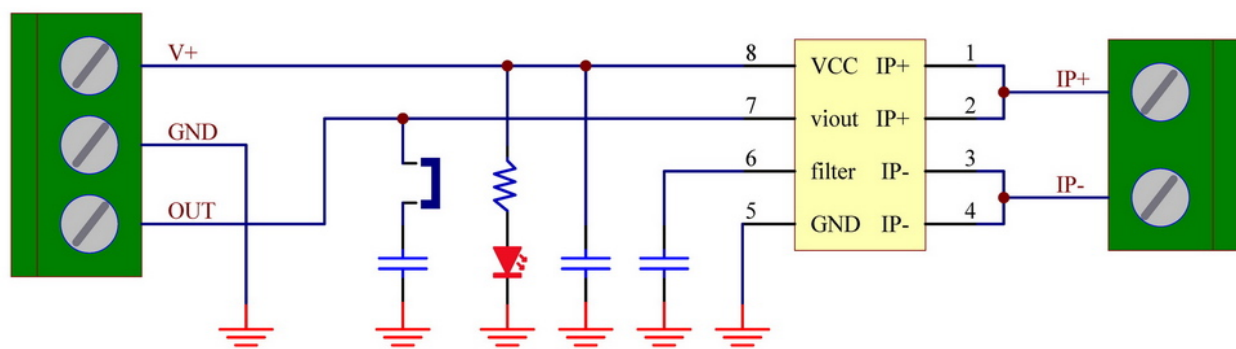
## Electrical Parameters:

- Operating Voltage: DC 5V or 3.3V
- Operating Current: 20mA (max)
- Minimum Isolation Voltage: 2400Vrms
- Load Frequency Bandwidth: DC to 80 kHz, or DC to 120 kHz
- Load Side Rated Voltage: AC/Vrms 297V, or DC/Vpk 400V
- Load Side Maximum Current: Available in 2.5 - 50 Amps.
- Current Direction: Unidirectional (for DC) and Bidirectional (for AC/DC) versions available.

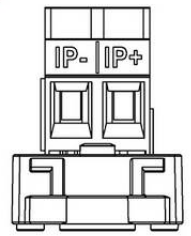
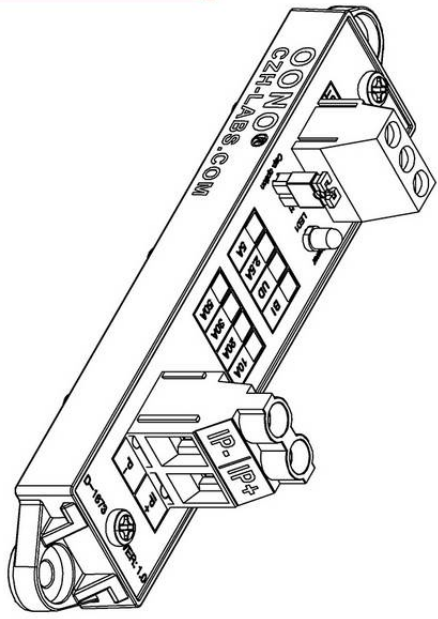
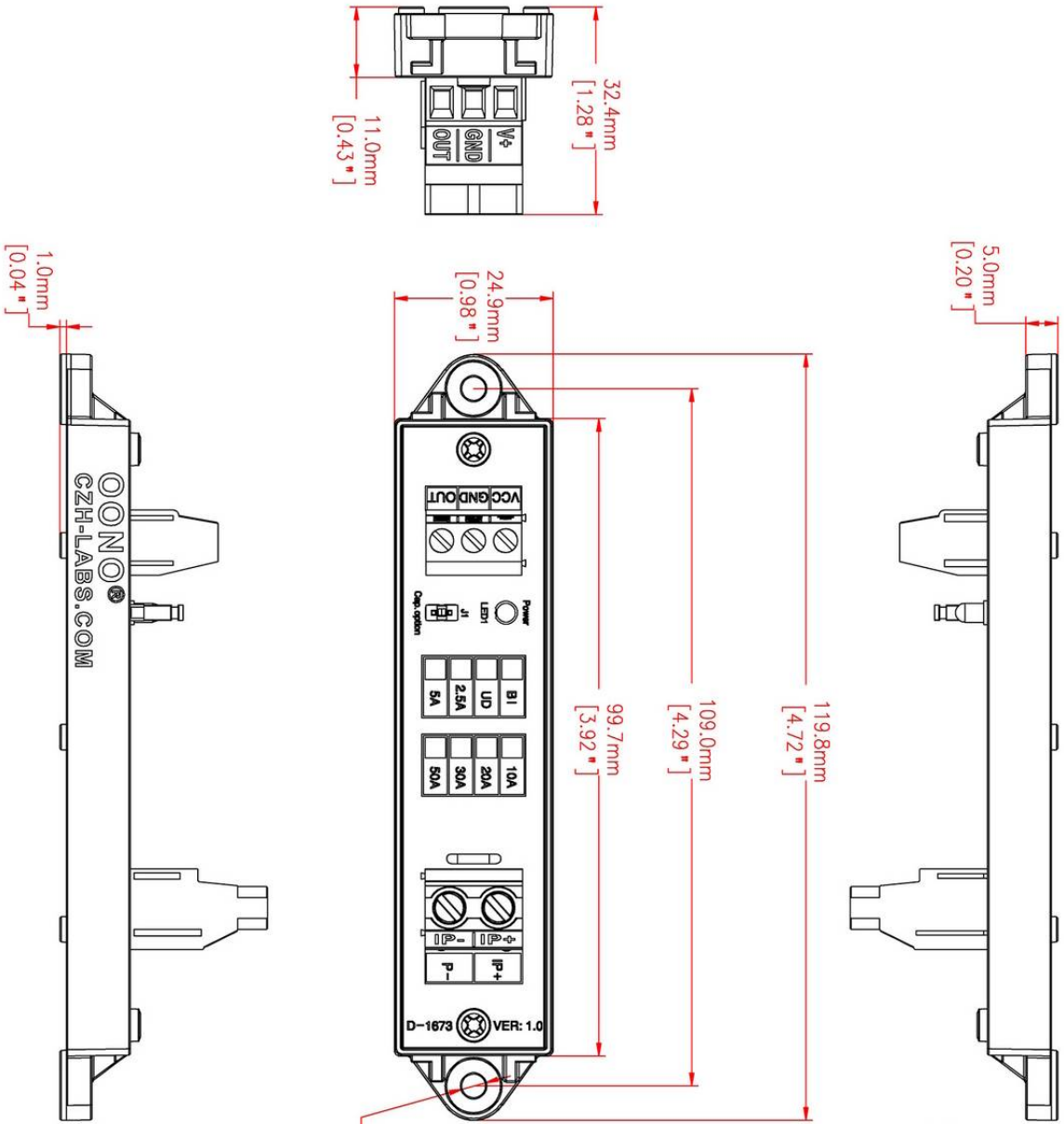
## Terminal Blocks Connects:

- V+ (VCC): Operating power input, DC5V or 3.3V
- GND: Operating power and Sensing signal ground (0V)
- OUT: Sensing signal voltage output.
- Cap Option Pin-jumper: Signal output filter capacitor, it is recommended to remove when measuring the AC load and short circuit when measuring the DC load, capacitance 10nF.
- IP+, IP-: Connect load, connected in series with the load.

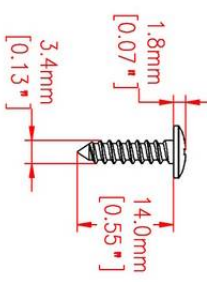
## Circuit Schematic:



# Dimensions: (for 2.5 – 30 Amp version)

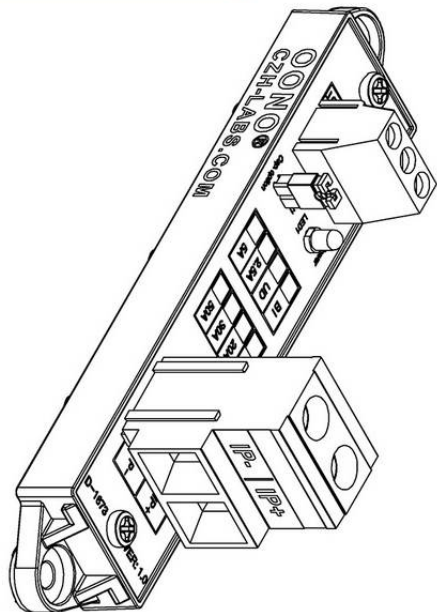
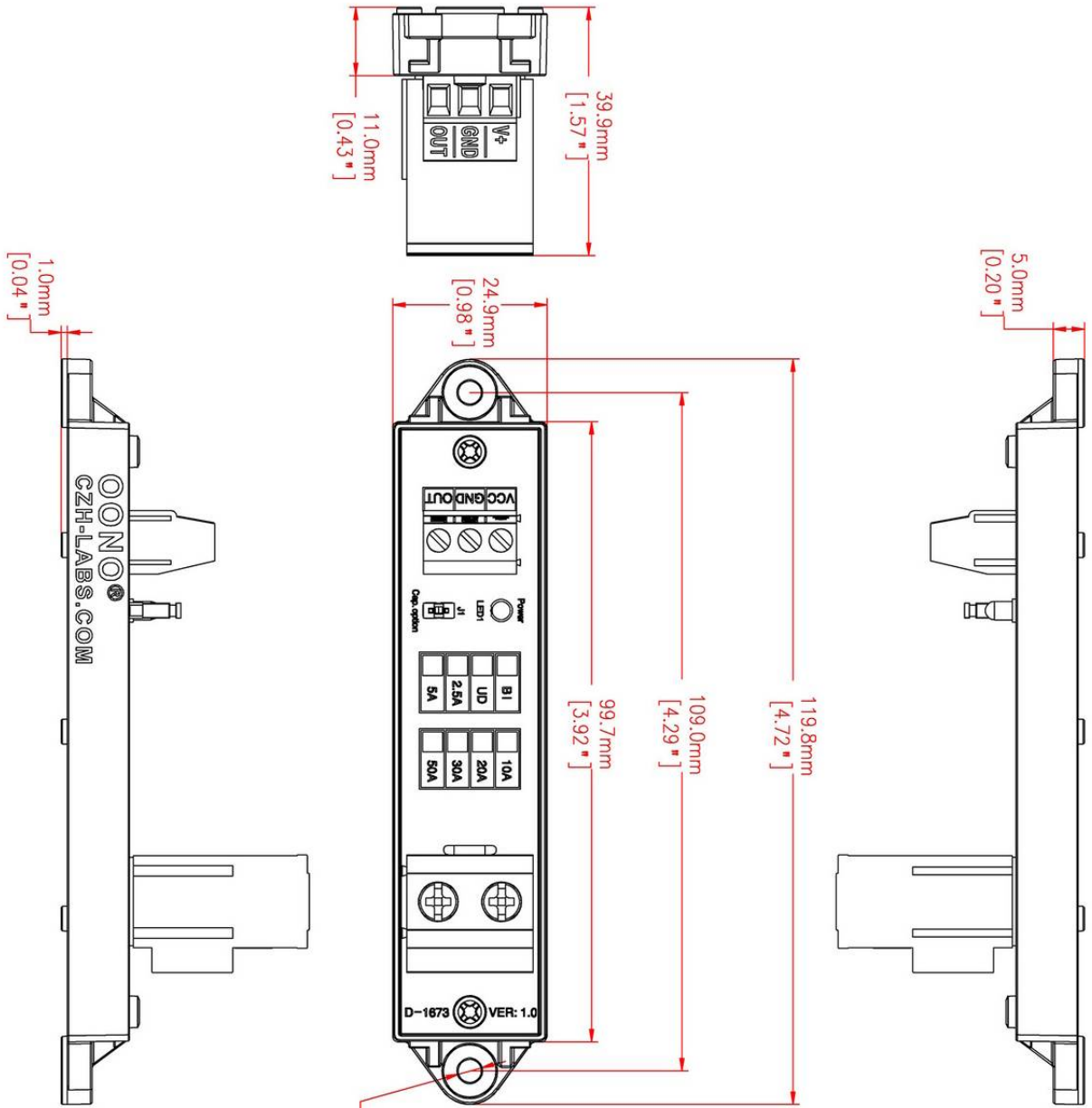


Screw M3.5\*14mm\_2pcs



<b>00NO<sup>®</sup></b>		<b>czh-labs.com</b>	
MODEL NO: D-1673	SKU: MD-D1673-1	UNIT: mm / inch	
PROJECTION:			

# Dimensions: (for 50 Amp version)



<b>00NO<sup>®</sup></b>		<b>czh-labs.com</b>	
MODEL NO:	D-1673/50A	SKU:	MD-D1673/50A-1
PROJECTION:		UNIT:	mm / inch