

OONO[®]
CZH-LABS.com

**1, 2, 4, 8 Channel AC Power IoT Relay Outlet Modules,
DIN Rail or Screw Mounting**

Model: D-1583, D-1584, D-1585, D-1586



FEATURES:

- Available in 1, 2, 4, or 8-channel AC power IoT relay outlet modules. Each receptacle features a built-in 10 Amp power relay, compatible with most controllers for flexible on/off control of the output. The AC120V power for each receptacle can be directly controlled via controllers like Arduino, Raspberry Pi, ESP32, MCU, PLC, etc., simplifying wiring and making maintenance easier.
- Control terminal: The control terminal and relay are electrically isolated by an optocoupler. It supports a wide range of AC and DC control signals, from AC 8V-150V to DC 3V-120V. Compatible with GPIOs from Arduino, Raspberry Pi, ESP32, MCU, PLC, etc. It supports PLC output port types, including common positive (NPN/Sink) and common negative (PNP/Source).
- Features US standard 3-prong grounded NEMA 5-15R AC receptacles with reinforced metal casing for added stability.
- Dual input screw terminal block, capable of extending as an input source for other devices. Rated for 30 Amps, with a pitch of 6.35mm/0.25", wire range of 26 - 10AWG / 4.0mm², strip length of 8mm, and M3 metric screws.
- Equipped with a resettable rocker thermal circuit breaker overload protector, rated for 15 Amps. Includes a built-in red indicator and supports manual control of all receptacle outputs.
- Made from high-quality fireproof nylon, the DIN rail mount carrier supports 35mm, 32mm, or 15mm rail widths. Includes a pair of DIN rail-to-wall mounting adapter brackets for wall or wood panel installation.
- Certified for safety with UL, CE, and CQC certified terminal blocks, UL 94-V0 certified PCB, UL/CE certified DIN rail mount carrier, UL-certified overload protector, and UL/CE certified NEMA 5-15R AC receptacles.

Version List:

SKU	Outlet
D-1583TL	1 Channel
D-1584TL	2 Channel
D-1585TL	4 Channel
D-1586TL	8 Channel

Electrical Specifications:

AC power voltage: 85 - 135VAC

Terminal block rated current: 30 Amp

Overload protector rated current: 15 Amp

Each AC receptacle output rated current: 10 Amp

All AC receptacles total output rated current: 15 Amp (1 channel version 10 Amp)

Control signal (for AC):

Relay on 8-150 VAC. Relay off 0-1 VAC.

Current 1.7mA/8V, 1.9mA/12V, 2.3mA/24V, 2.9mA/48V, 4.5mA/115v, 5mA/150V

Control signal (for DC):

Relay on 3-120 VDC. Relay off 0-1 VDC.

Current 0.9mA/3V, 1.0mA/5V, 1.2mA/12V, 1.3mA/24V, 1.6mA/48V, 3.0mA/120V

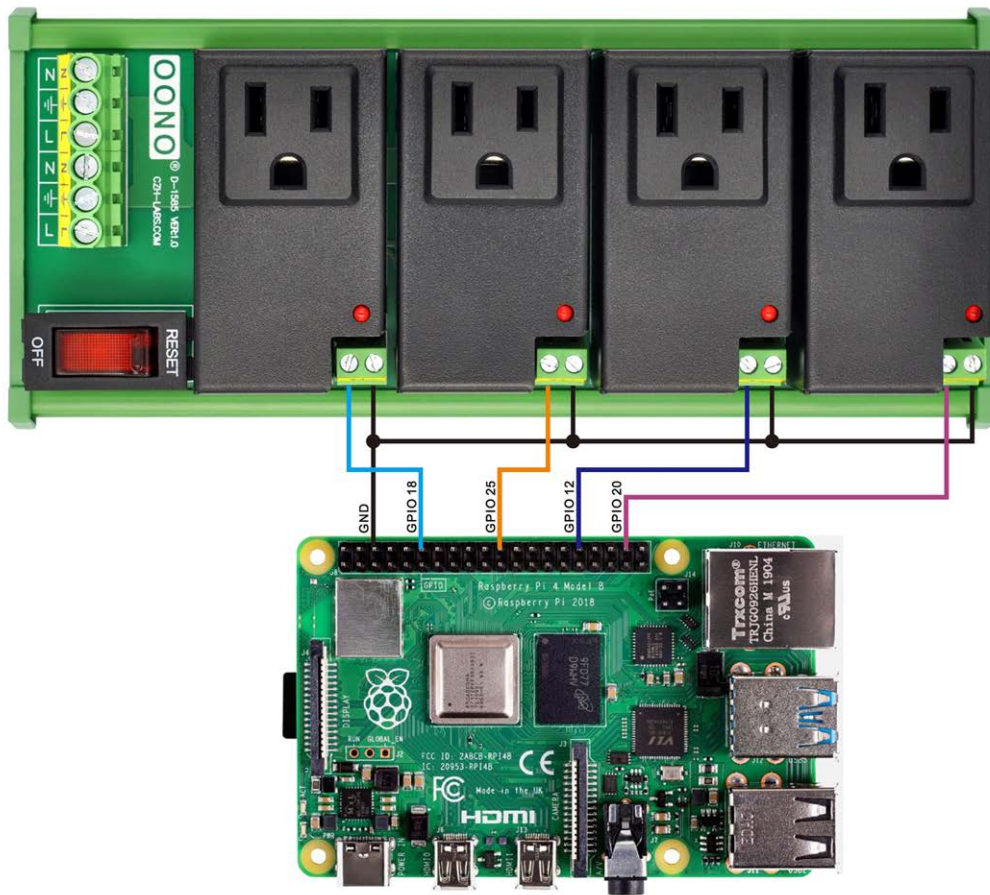
AC input terminal block:

Pitch 6.35mm/0.25", wire range 26 - 10AWG / 4.0mm square, strip length 8mm, screw - metric M3.

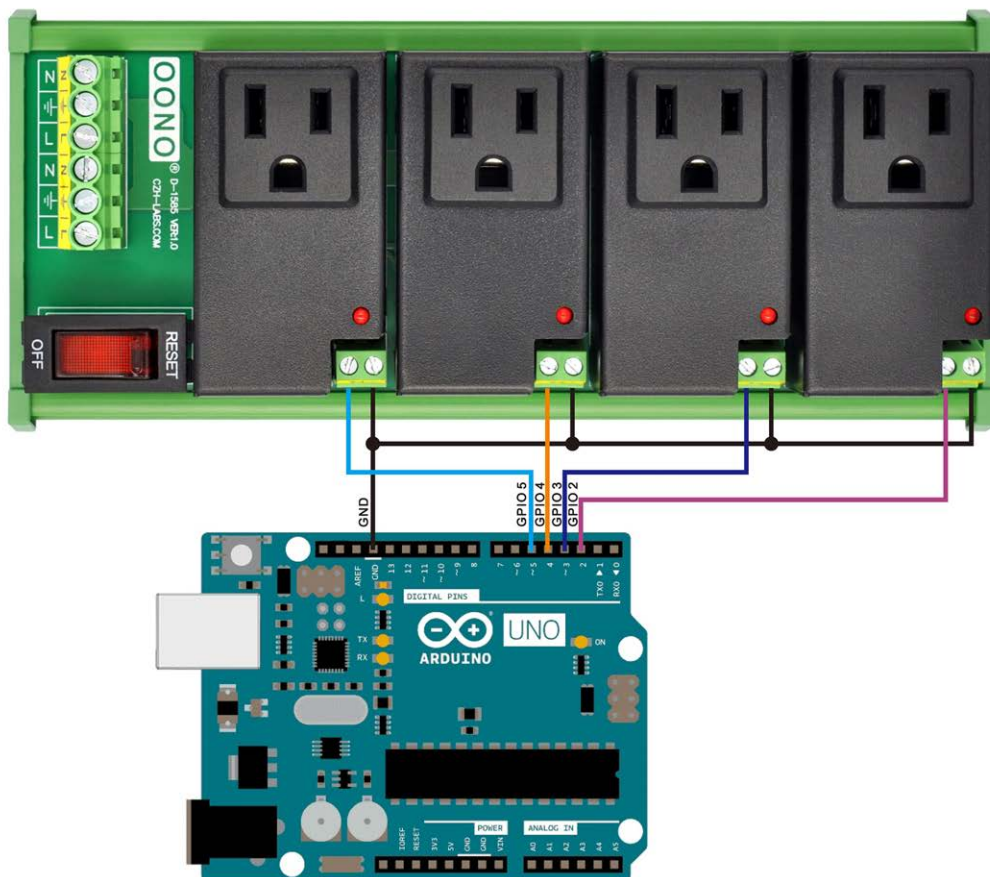
Control input terminal block:

Pitch 5.08mm/0.2", wire range 26 - 12AWG / 2.5mm square, strip length 7mm, screw - metric M2.5.

Application example for Raspberry Pi.

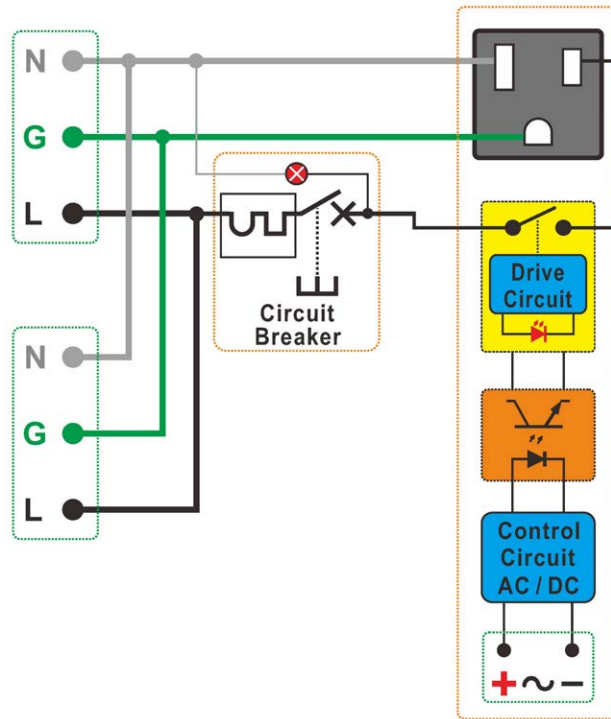


Application example for Arduino.

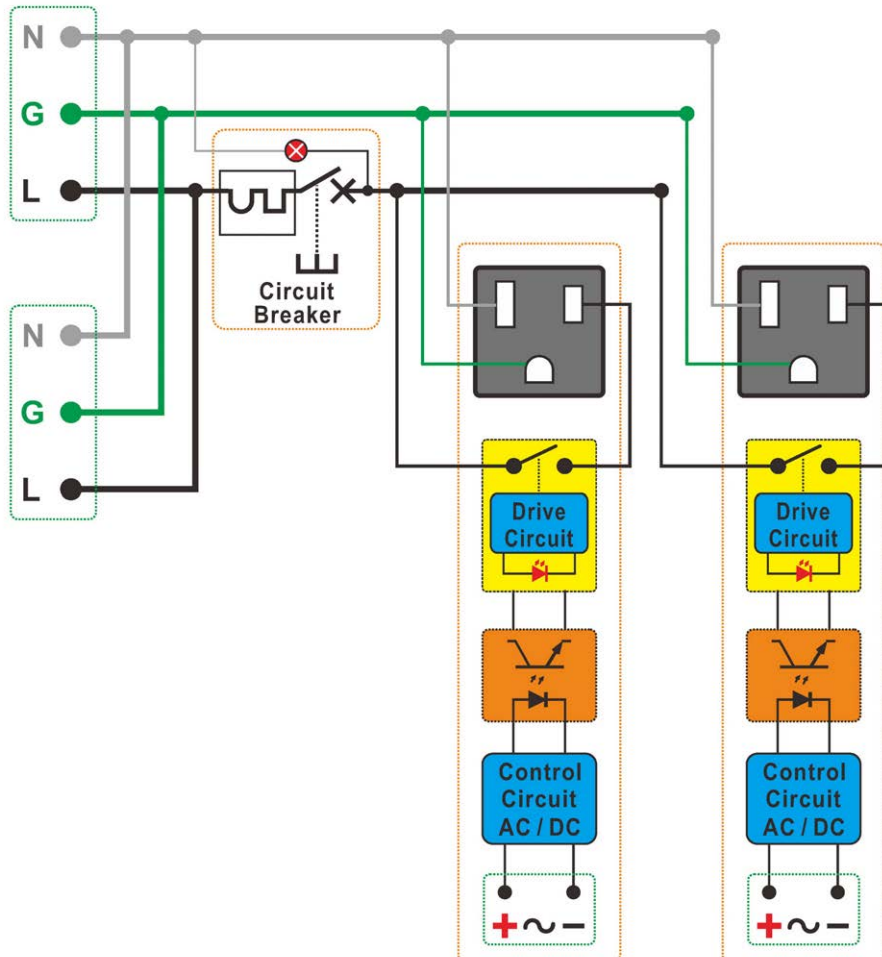


Schematic:

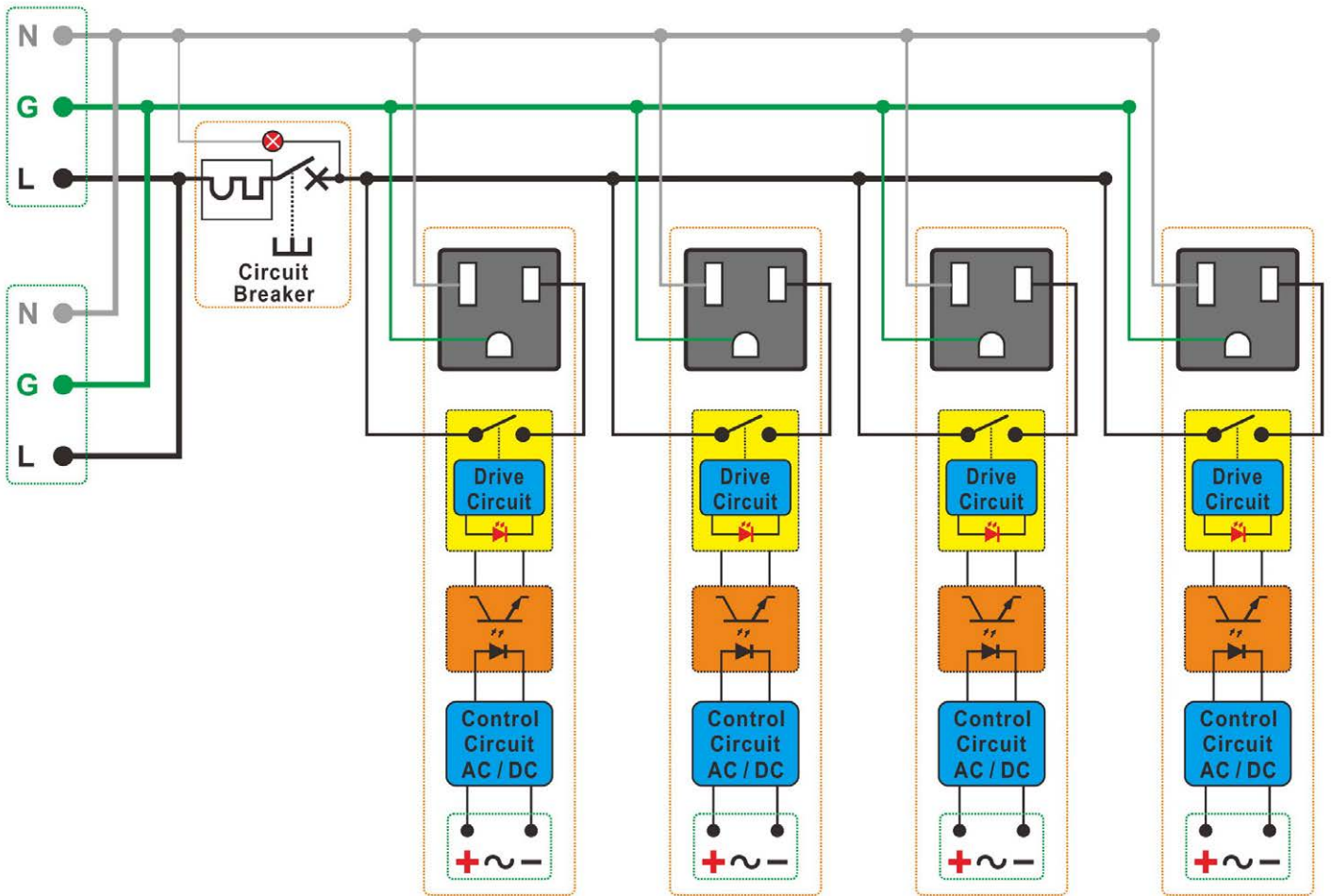
D-1583TL (1 Channel)



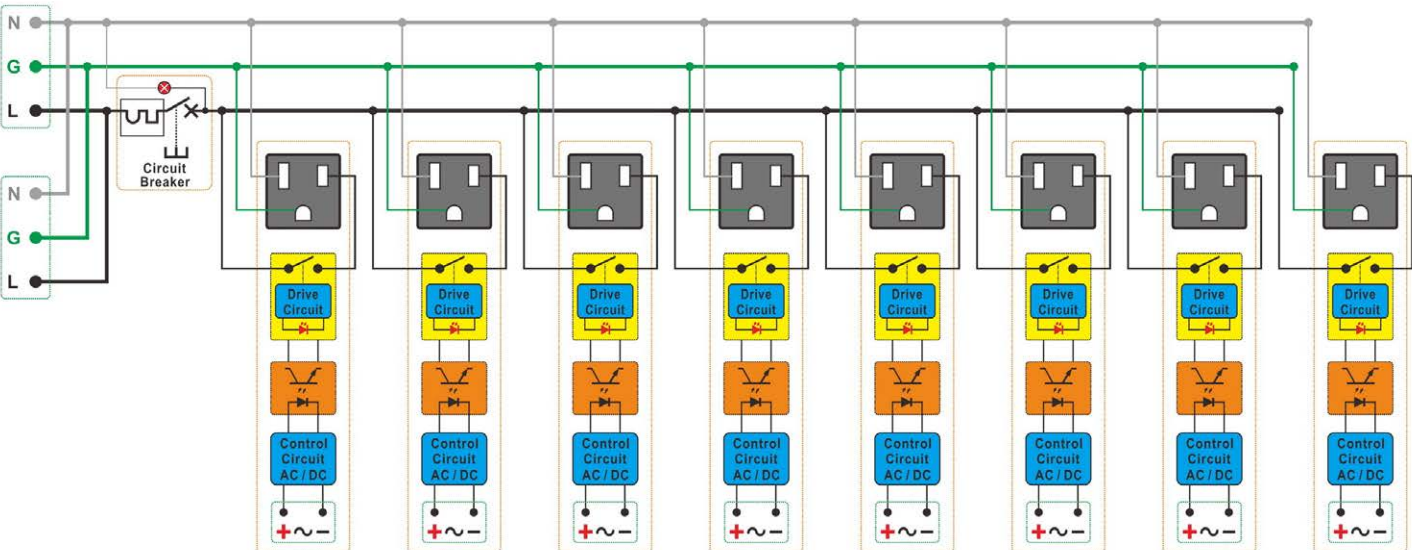
D-1584TL (2 Channel)



D-1585TL (4 Channel)

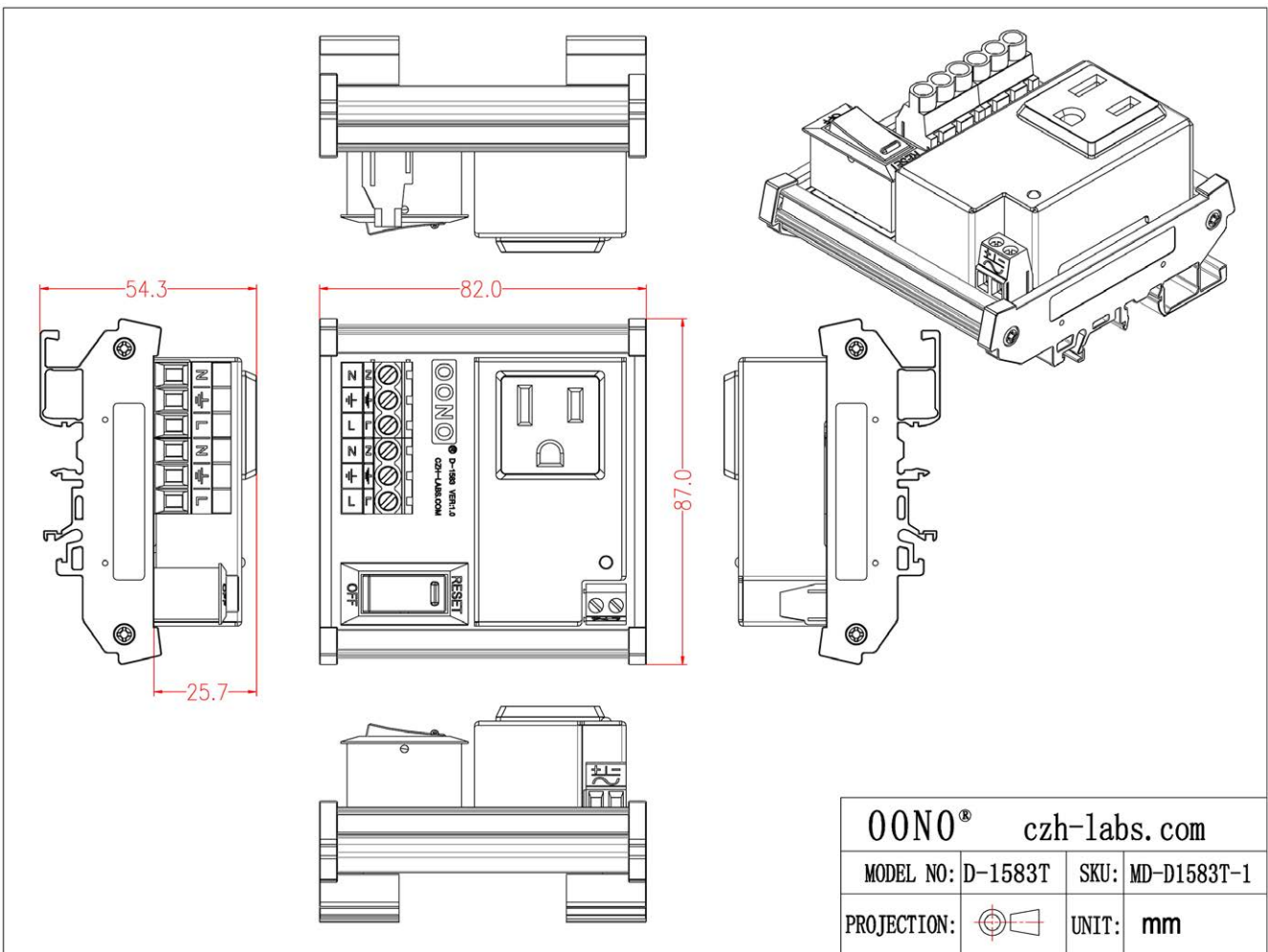


D-1586TL (8 Channel)

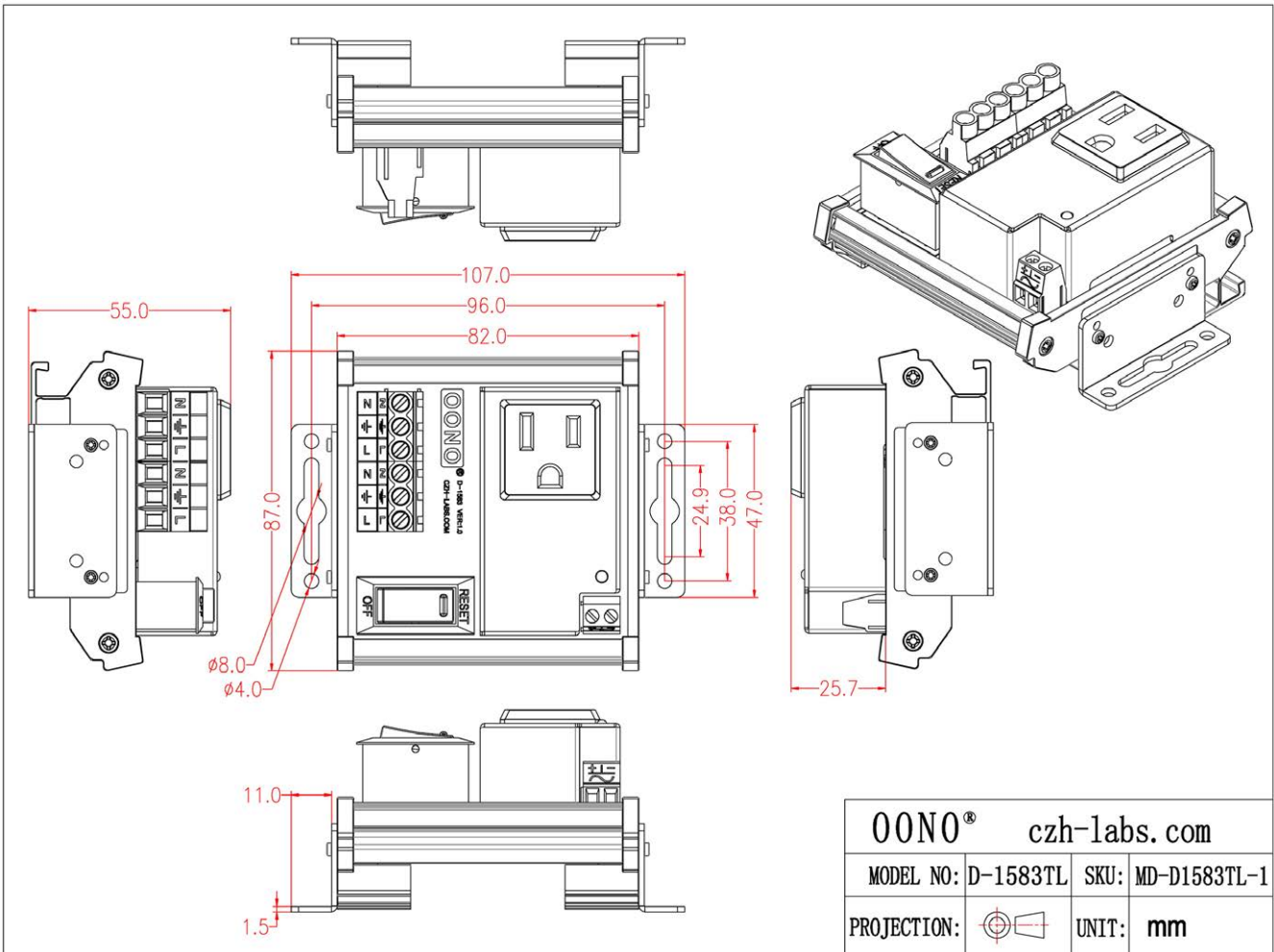


Dimensional Drawings:

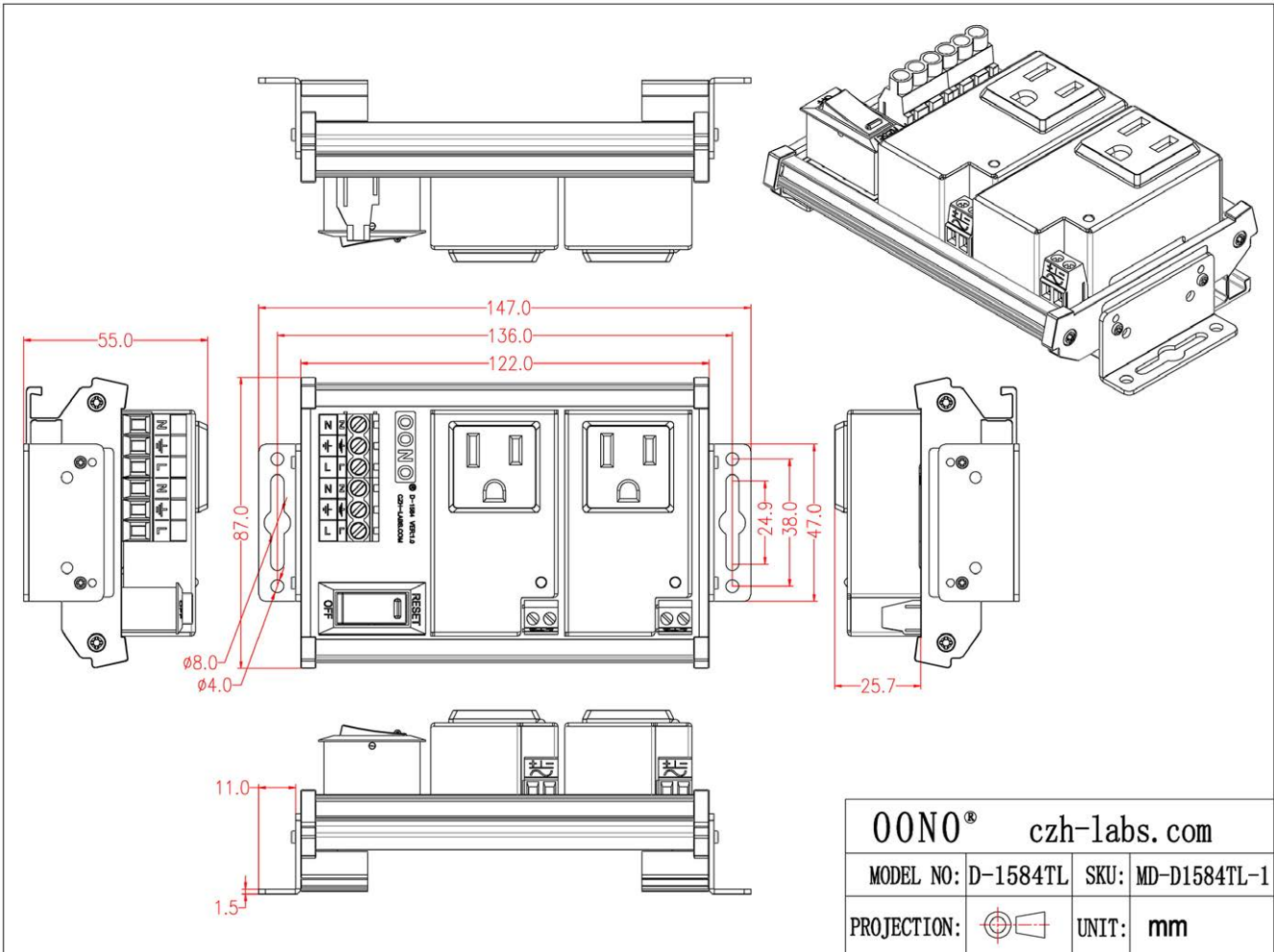
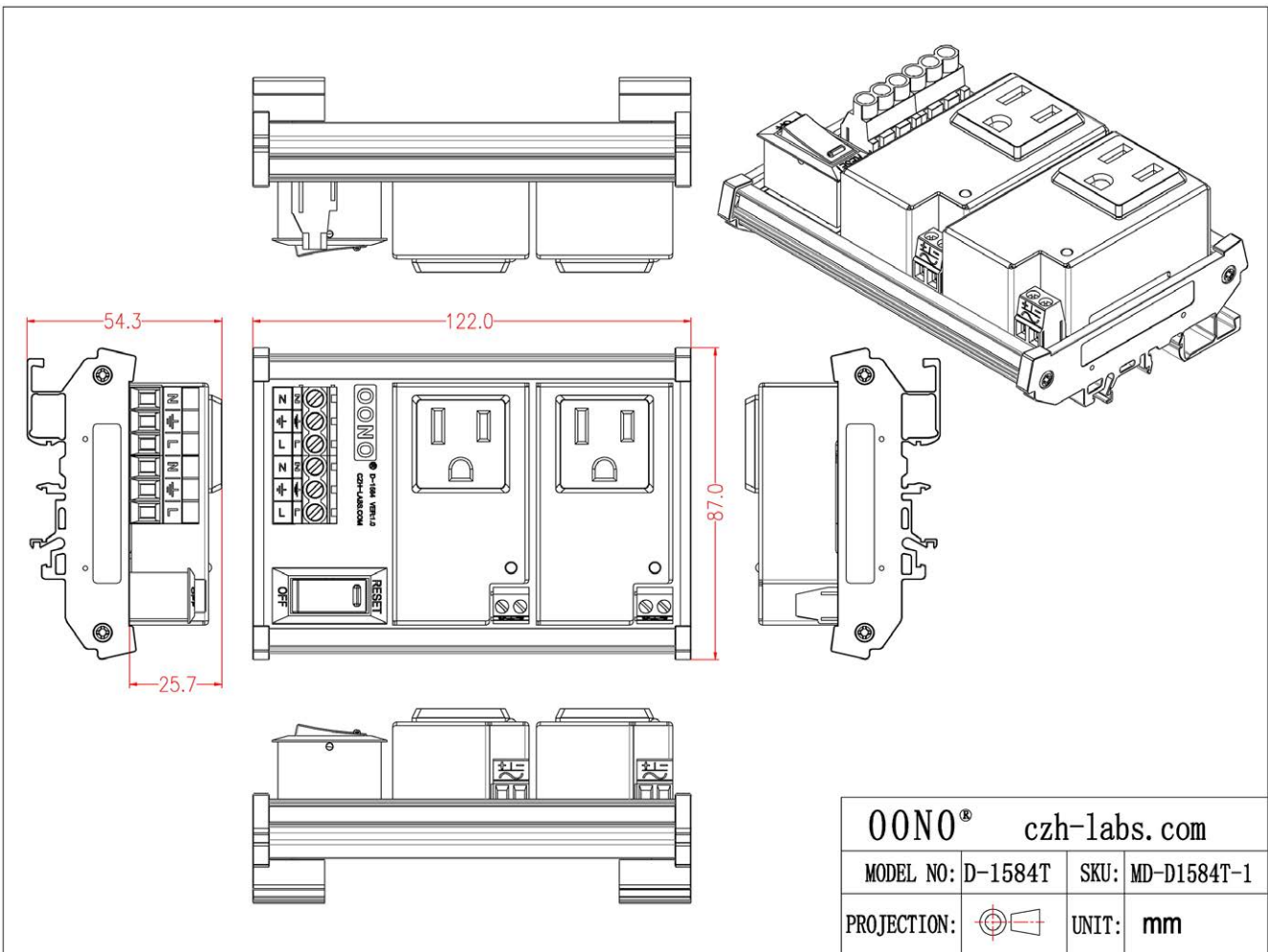
We can also provide 3D STP documentation, please contact us if you need it.

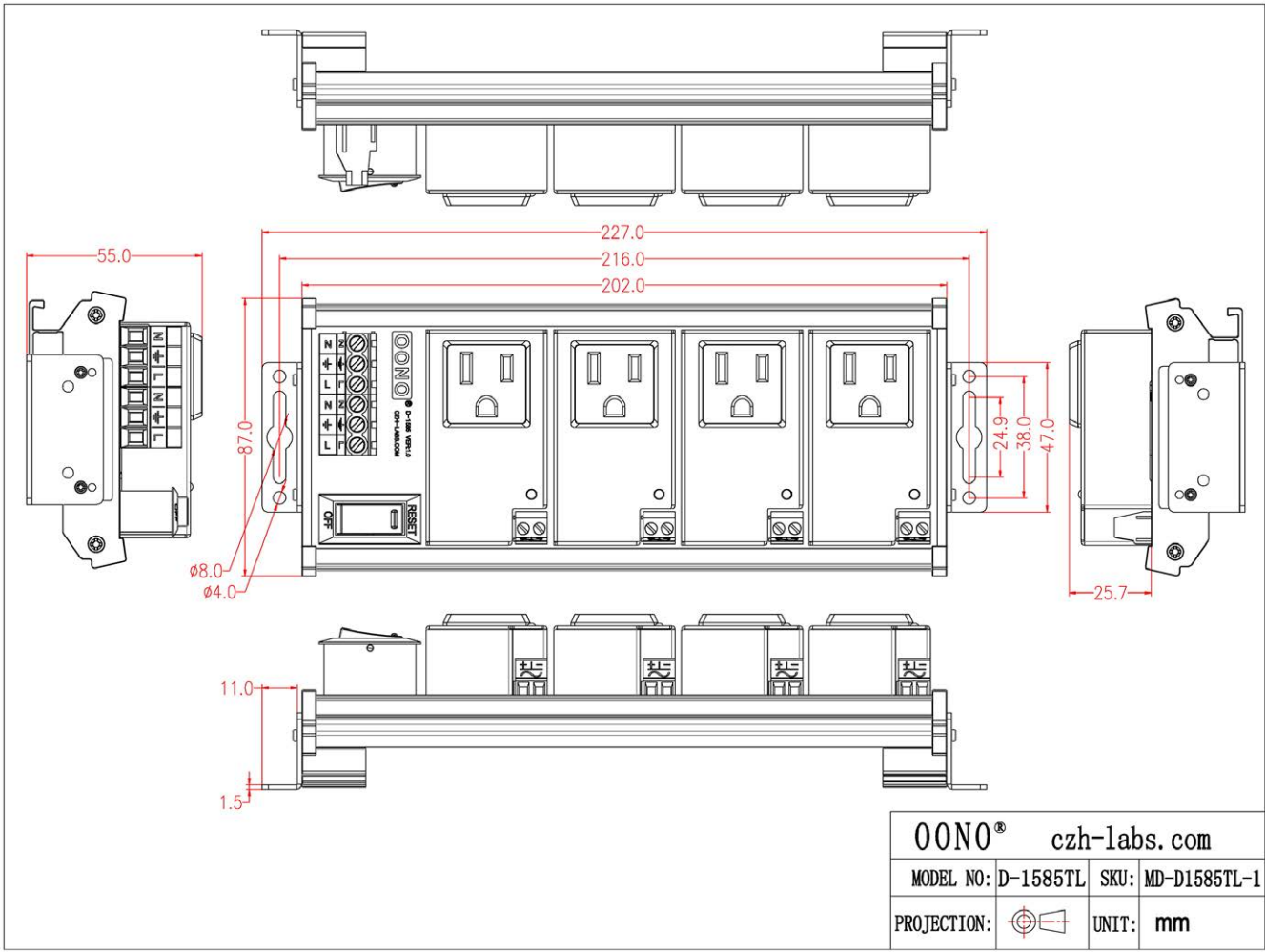
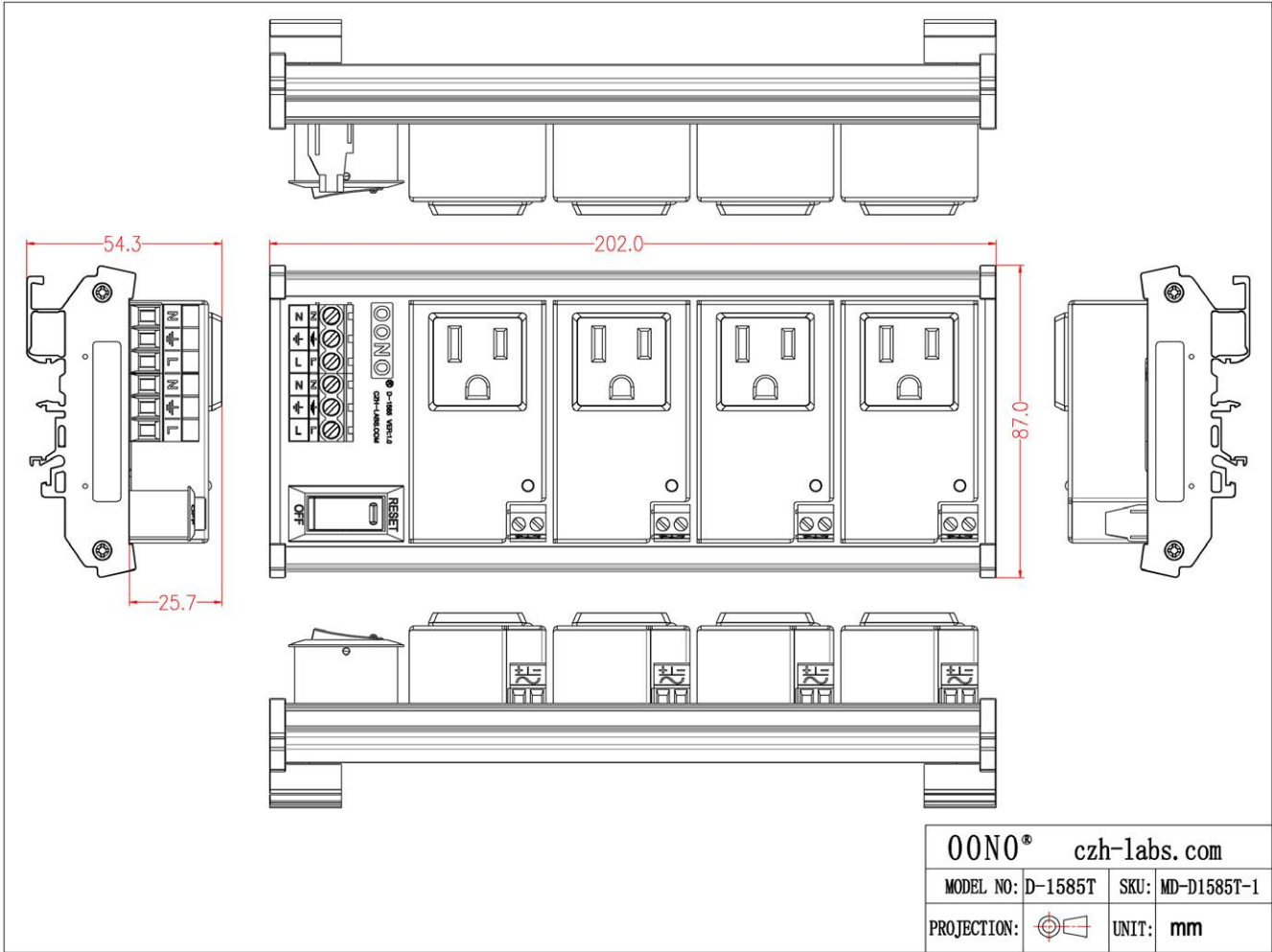


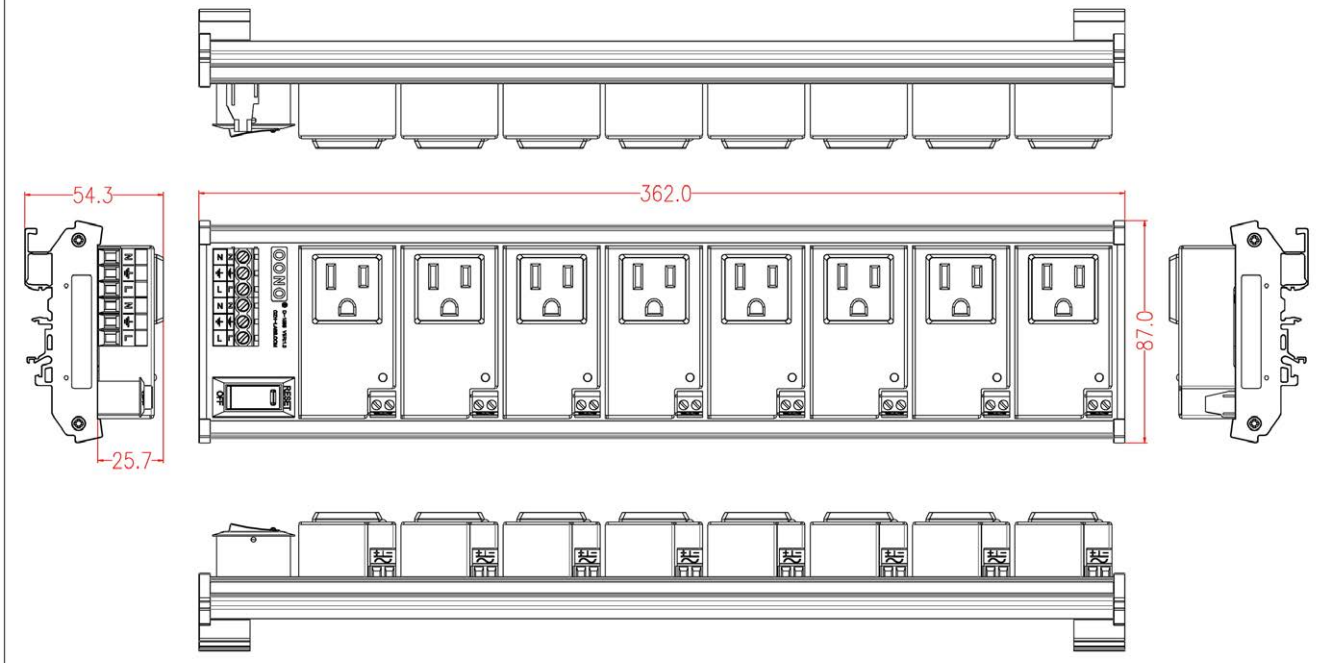
00NO®		czh-labs.com	
MODEL NO:	D-1583T	SKU:	MD-D1583T-1
PROJECTION:		UNIT:	mm



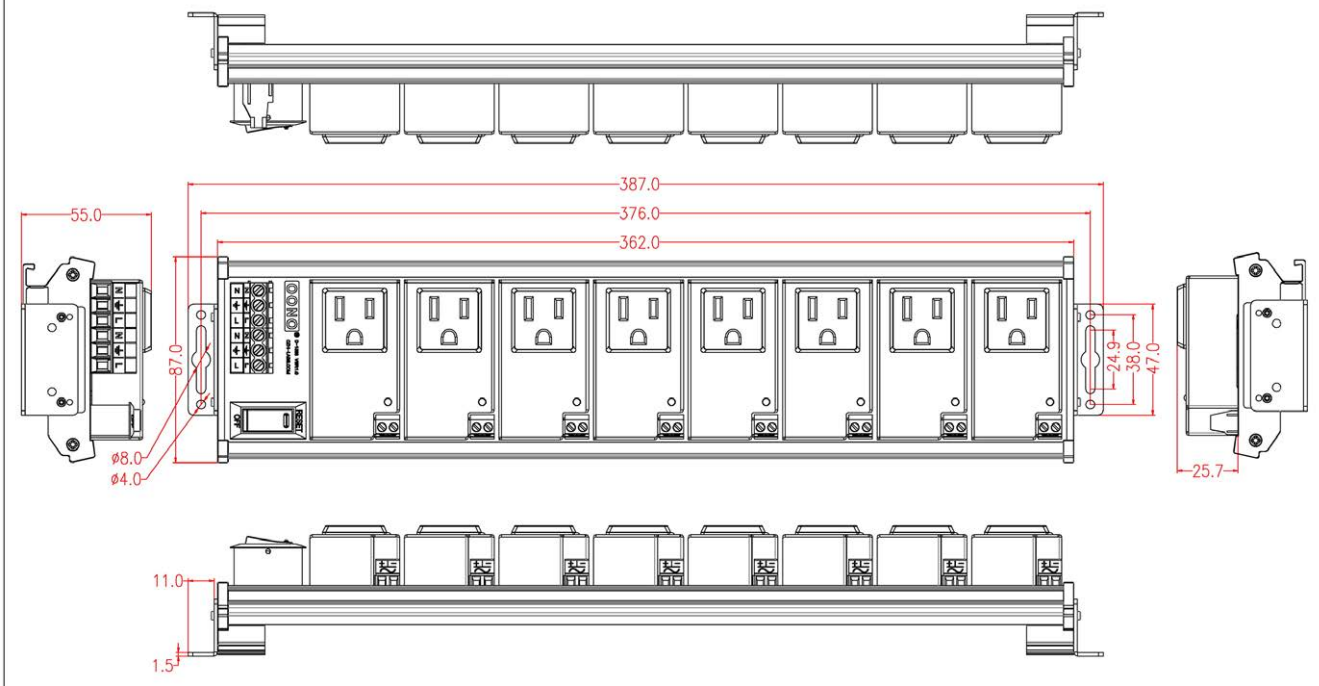
00NO®		czh-labs.com	
MODEL NO:	D-1583TL	SKU:	MD-D1583TL-1
PROJECTION:		UNIT:	mm







00NO®		czh-labs.com	
MODEL NO:	D-1586T	SKU:	MD-D1586T-1
PROJECTION:		UNIT:	mm



00NO®		czh-labs.com	
MODEL NO:	D-1586TL	SKU:	MD-D1586TL-1
PROJECTION:		UNIT:	mm