

OONO[®]
czh-labs.com

**Passive 12V SPST 90Amp 277VAC/60VDC Latching
Relay Module, DIN Rail Mount**

Model: D-1526T
SUK: MD-D1526T-1

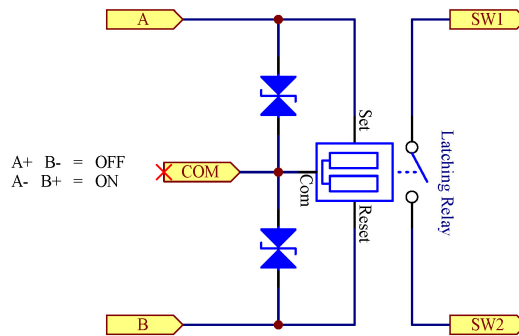


Features:

- If you are looking for a latching relay with power-off memory, then this module will be very suitable for you. Even if the operating power is turned off, the status of the output switch will not be affected in any way, it will remain in the state before the power was turned off.
- **Control Signal:**
Voltage (pulse): 9V to 15V.
Current (pulse): 250mA (for 2 wire mode), 500mA (for 3 wire mode).
Pulse width: 50mS to 60S.
Support control mode: 2 wire mode (pulse reversing polarity), 3 wire COM+ mode (low level pulse), 3 wire COM- mode (high level pulse).
- **Output Switch:**
SPST (Single Pole Single Throw).
Rated current/voltage AC 90A/277V or DC 90A/60V.
Electrical endurance capability: breaking under 2000A for 0.3mS for 300 times.
Inrush current withstand capability up to 500A for 2mS.
- **Terminal Block:**
Input control terminal:
Pin pitch 5.0mm/0.2", wire size 28 - 12 AWG, stripping length 7mm, Metric M2.5 slotted screw.
Output switch terminal:
Pin pitch 15.0mm/0.59", wire size 20 - 2 AWG, stripping length 19mm, Metric M4 screw.
- High quality fireproof nylon material DIN rail mount carrier, can support width 35mm, 32mm or 15mm rail. FR-4 fiberglass dual copper layers PCB. UL CE CQC certified terminal blocks, UL 94-V0 certified PCB, and UL CE certified DIN rail mount carrier.

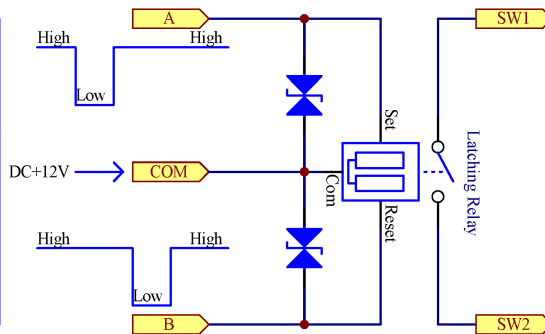
Two Wire Control Mode (COM N/C, Not Connect)

Two Wire Control Mode (COM N/C, Not Connect): Level: High +12V, Low 0V Pulse Width: 50mS(min.) to 60S(max.) Pulse Voltage: DC12V, Current: 250mA		
A	B	OUTPUT SWITCH
High	Low	Change to OFF
Low	High	Change to ON
Low	Low	Keep the last state unchanged
High	High	Keep the last state unchanged



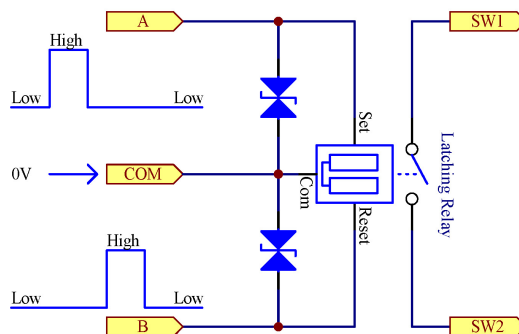
Three Wire Control Mode, Low Pulse Relay Action

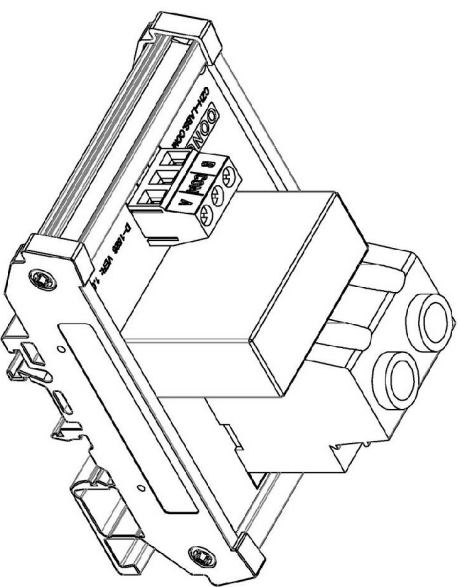
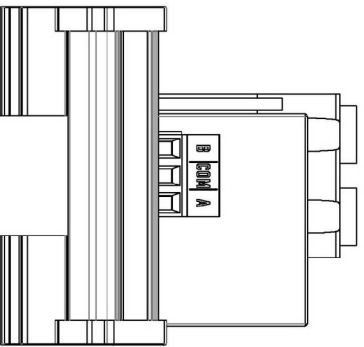
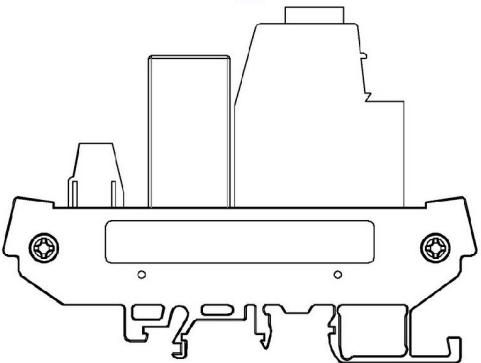
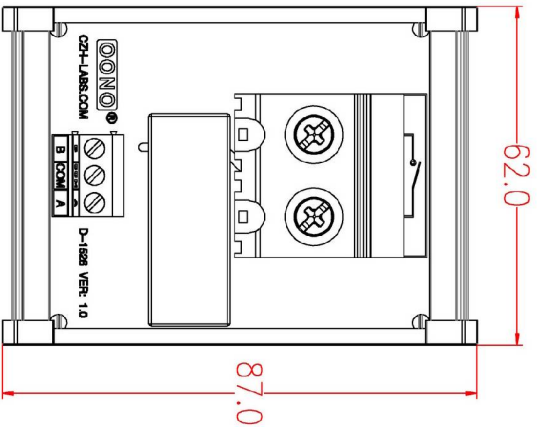
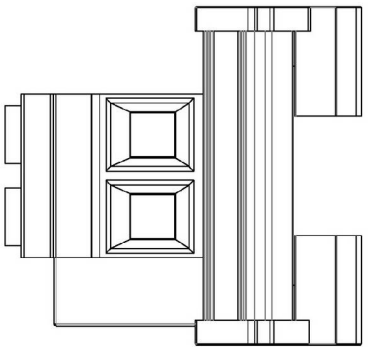
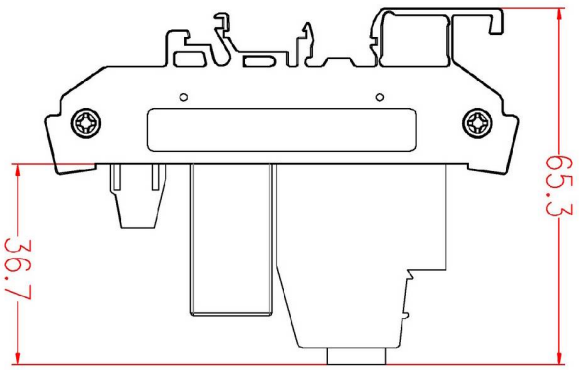
Three Wire Control Mode, Low Pulse Relay Action Level: High +12V, Low 0V Pulse Width: 50mS(min.) to 60S(max.) Pulse Voltage: 0V, Current: 500mA		
A	B	OUTPUT SWITCH
High(or N/C)	Low	Change to OFF
Low	High(or N/C)	Change to ON
High(or N/C)	High(or N/C)	Keep the last state unchanged
Low	Low	Uncertain state
Illegal state, not allowed.		




Three Wire Control Mode, High Pulse Relay Action

Three Wire Control Mode, High Pulse Relay Action Level: High +12V, Low 0V Pulse Voltage: DC12V, Current: 500mA Pulse Width: 50mS(min.) to 60S(max.)		
A	B	OUTPUT SWITCH
High	Low(or N/C)	Change to OFF
Low(or N/C)	High	Change to ON
Low(or N/C)	Low(or N/C)	Keep the last state unchanged
High	High	Uncertain state
Illegal state, not allowed.		





00N0[®]		czh-labs.com	
MODEL NO.:	D-1526T	SKU:	MD-D1526T-1
PROJECTION:		UNIT:	mm