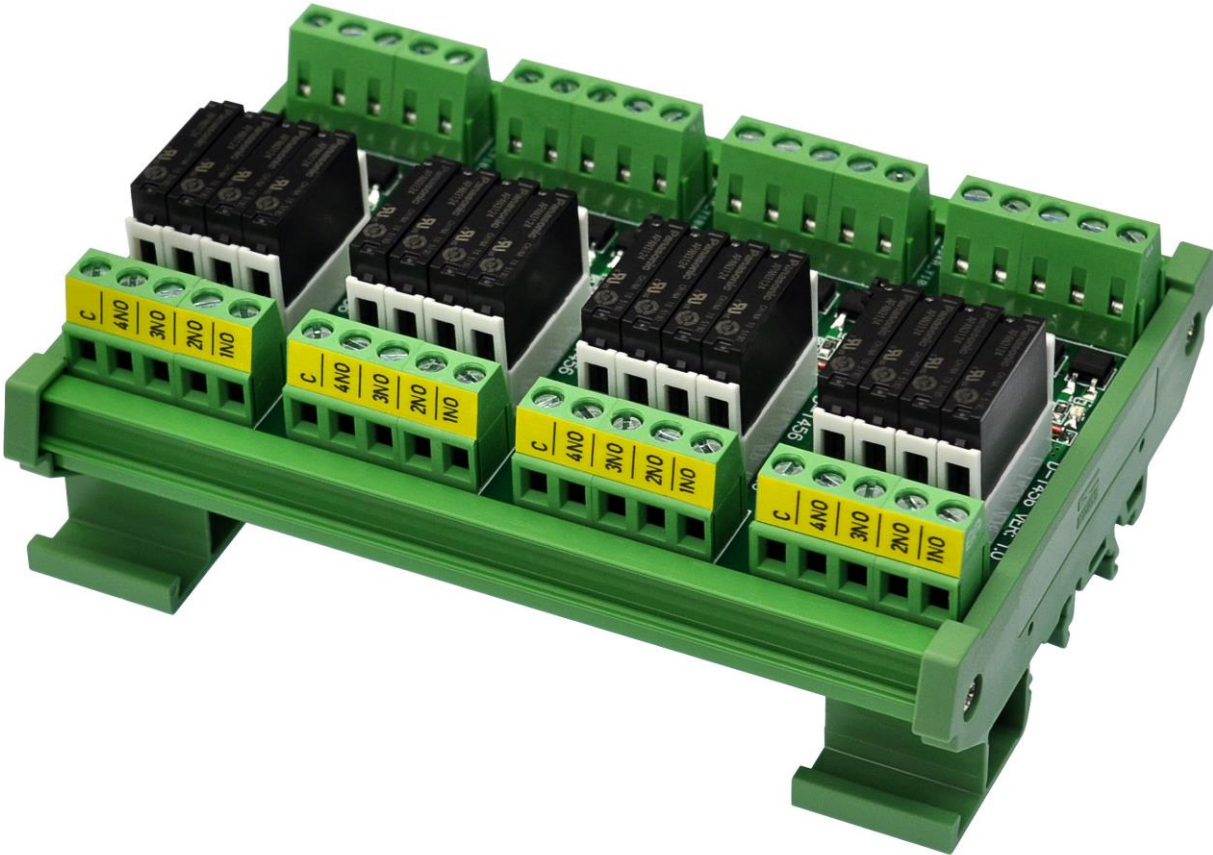


**Electronics-Salon  
CZH-LABS.com**

**Passive SPST-NO Slim 5 Amp Power Relay Module  
Model: D-1456 Series**



## Features:

- 1, Original Panasonic APAN31xx relay, with removal key, easy to replace pluggable relay. Relay switch type SPST-NO(when the relay no action switch status off). Switching current up to 5Amp/250V or 5Amp/30VDC.
- 2, Users can flexibly configured control signal mode according to controllers output, can support DC Common Positive(for NPN / Sink output controllers), DC Common Negative(for PNP/Source output controllers) or AC 50/60 Hz Signal. LED indicator for each relay channel. Relay coil protection by means of a freewheeling diode.
- 3, Operating voltage 5V / 12V / 24V versions selectable. Relay number 4 / 8 / 16 / 24 / 32 channels to selectable.
- 4, High quality terminal block: Pitch 5.0mm/0.197", Wire range 28AWG ~ 12AWG / 2.5mm square, Strip length 7mm. Screws - M2.5,steel,Cr3+ Zn plated. Pin header and Cage - Brass.
- 5, High quality DIN rail mount carrier, fireproof nylon material (not China low quality carrier), can support width 35mm / 32mm / 15mm rail. FR-4 fiber glass dual layers PCB.

## Passive SPST-NO Slim Relay Module Version List

Relay Channel	Voltage Version	SKU
4	5V	MD-D1456T5V/4-1
	12V	MD-D1456T12V/4-1
	24V	MD-D1456T24V/4-1
8	5V	MD-D1456T5V/8-1
	12V	MD-D1456T12V/8-1
	24V	MD-D1456T24V/8-1
16	5V	MD-D1456T5V/16-1
	12V	MD-D1456T12V/16-1
	24V	MD-D1456T24V/16-1
24	5V	MD-D1456T5V/24-1
	12V	MD-D1456T12V/24-1
	24V	MD-D1456T24V/24-1
32	5V	MD-D1456T5V/32-1
	12V	MD-D1456T12V/32-1
	24V	MD-D1456T24V/32-1

## Electrical Parameters:

**Relay Type:** 5V version: Panasonic APAN3105  
 12V version: Panasonic APAN3112  
 24V version: Panasonic APAN3124  
**Action Voltage:** 5V version: DC 4.5 ~ 6.0V, or AC 4.5 ~ 6.0V  
 12V version: DC 10.0 ~ 15V, or AC 10.0 ~ 13.0V  
 24V version: DC 20.0 ~ 30V, or AC 20.0 ~ 26.0V  
**Release Voltage:** 5V version: DC 0 ~ 0.7V, or AC 0 ~ 0.7V  
 12V version: DC 0 ~ 1.0V, or AC 0 ~ 1.0V  
 24V version: DC 0 ~ 1.5V, or AC DC 0 ~ 1.5V  
**Action Current:** 5V version: DC / AC 23mA (one channel).  
 12V version: DC / AC 11mA (one channel).  
 24V version: DC / AC 7mA (one channel).

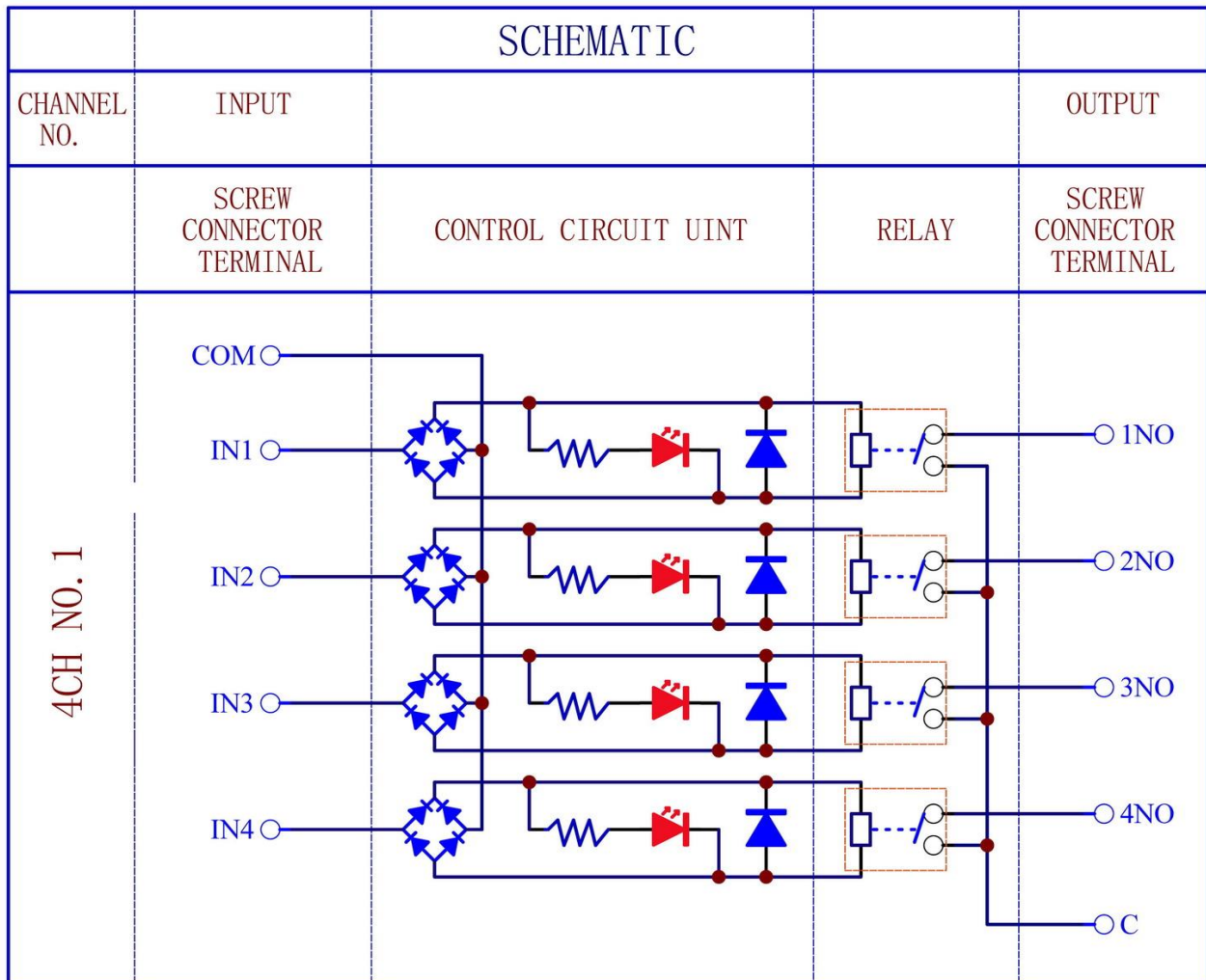
### Output:

xNO terminal position: each "NO" position maximum current: 5Amp, 250VAC/30VDC.  
 Cx terminal position: each "C" position maximum current: 16Amp.

**Terminal Block:** Wire range: 26 ~ 12AWG / 2.5mm<sup>2</sup>, Strip length: 7mm, Screw: Metric slot M2.

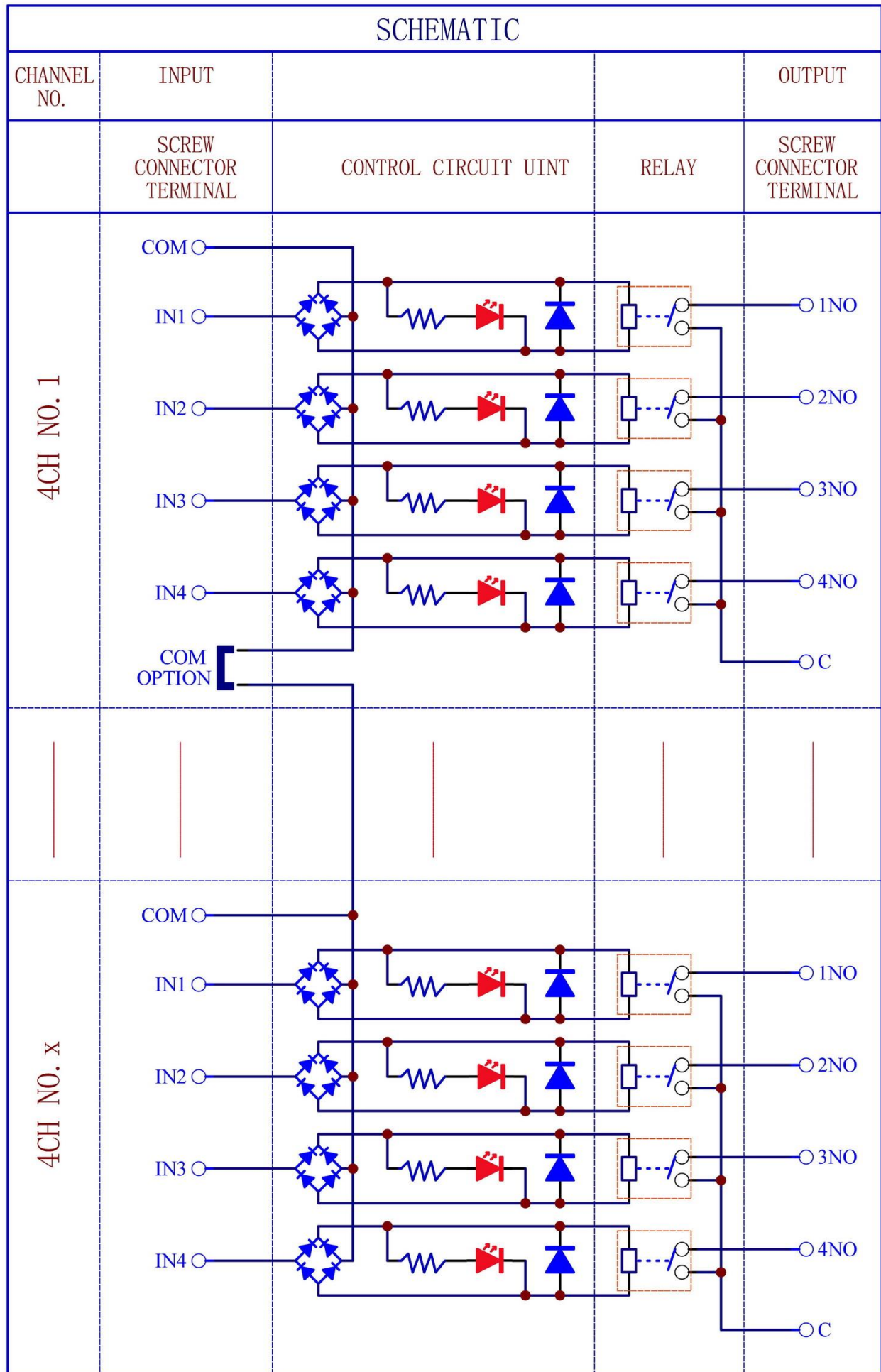
## Schematic:

### 4 Channel Versions



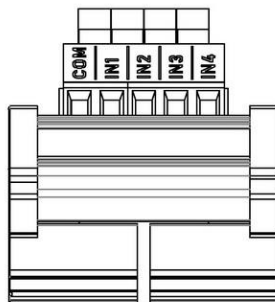
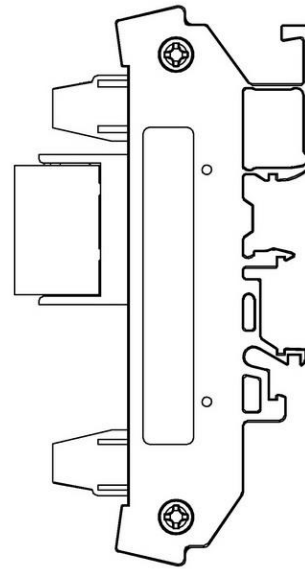
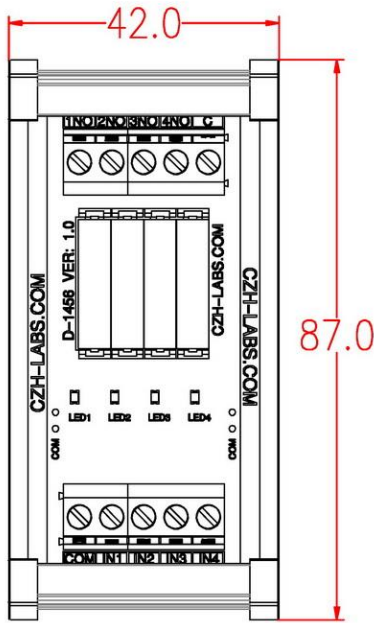
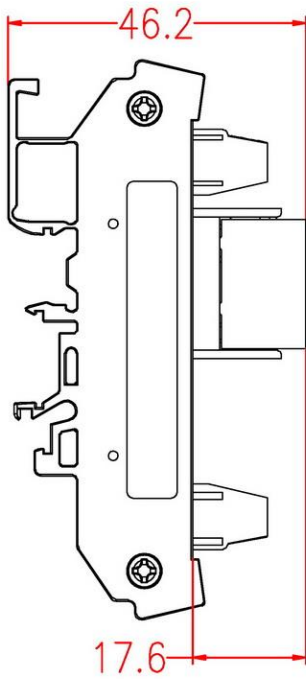
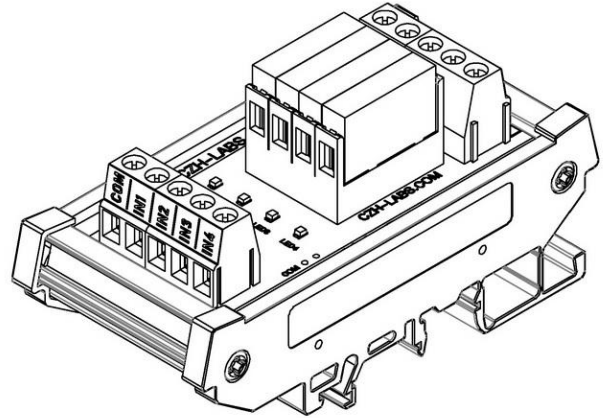
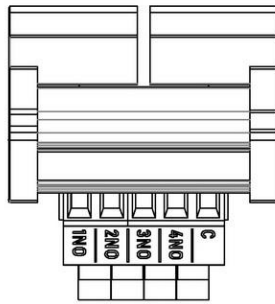
8 / 16 / 24 / 32 Channel Versions

SCHEMATIC

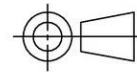


# Dimensions:

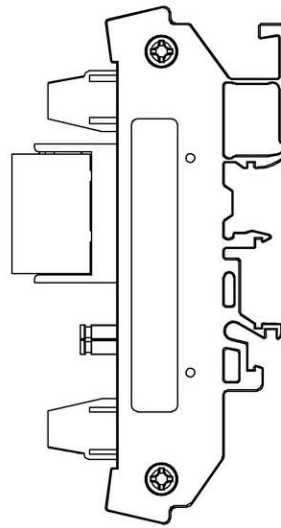
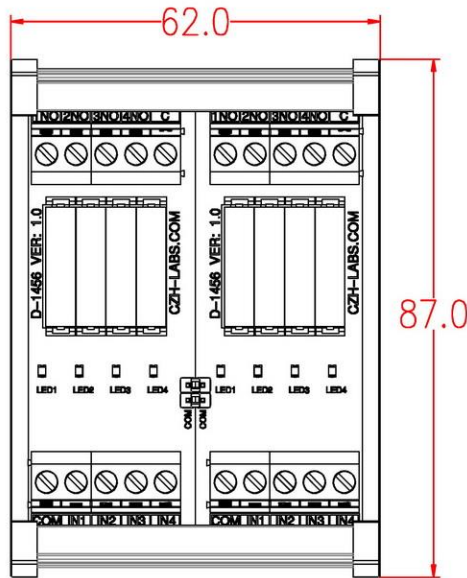
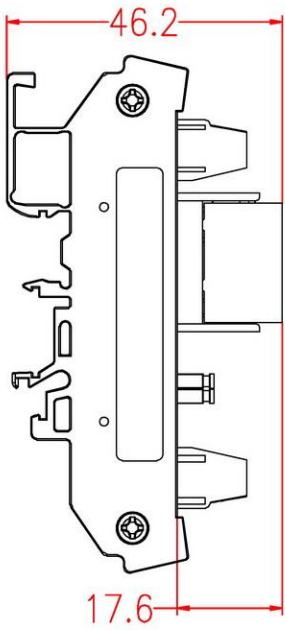
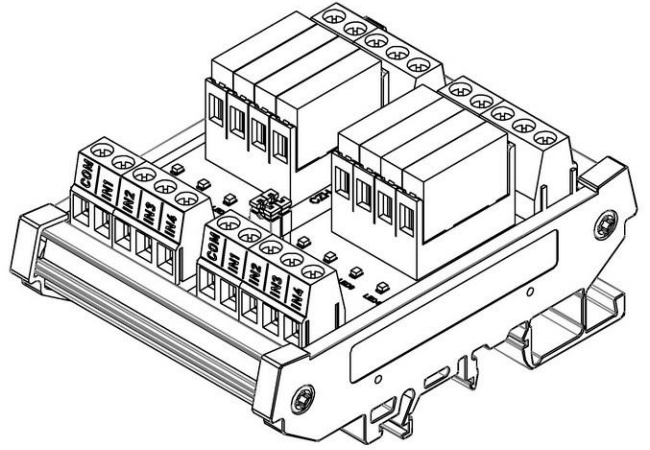
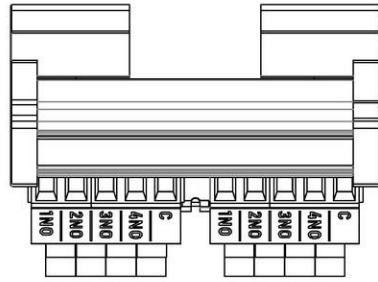
## 4 Channel



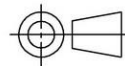
size unit:mm



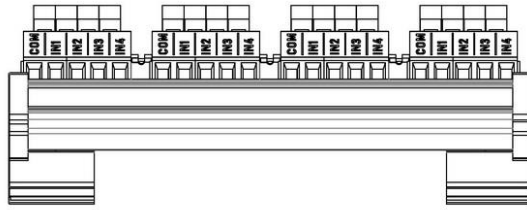
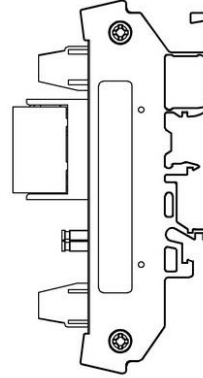
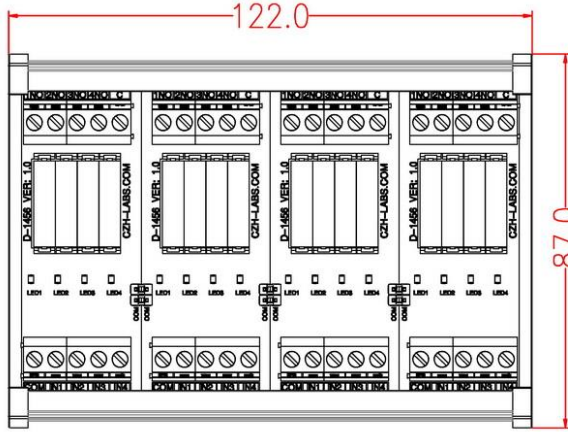
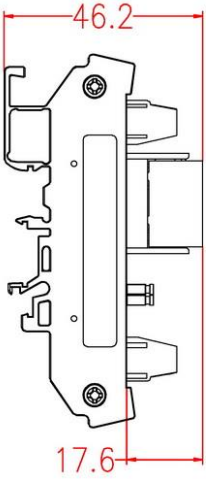
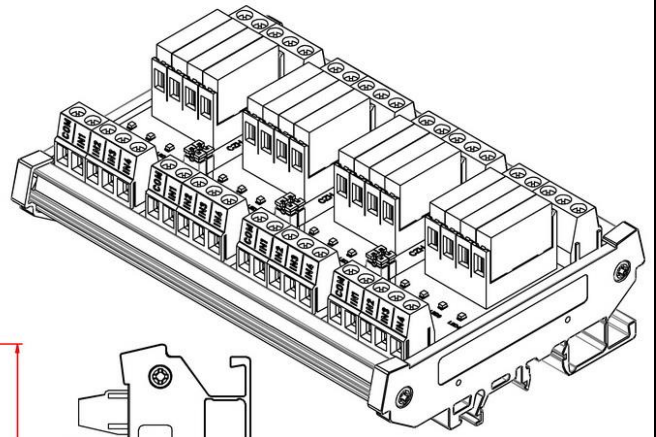
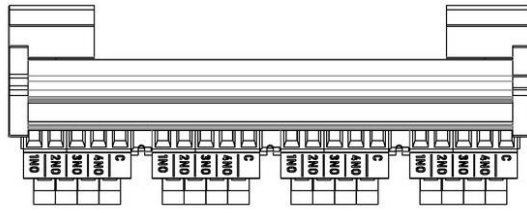
# 8 Channel



size unit:mm



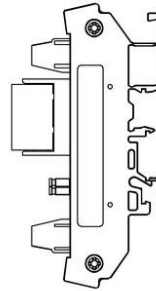
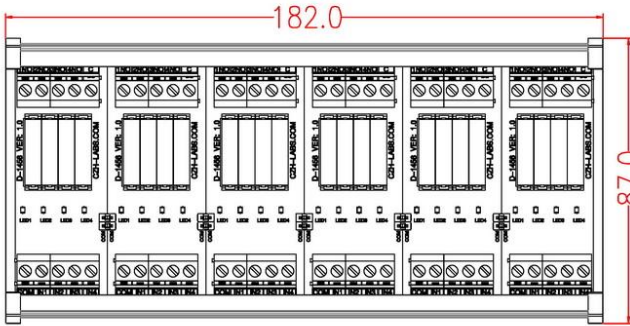
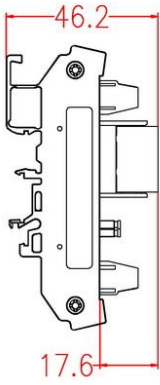
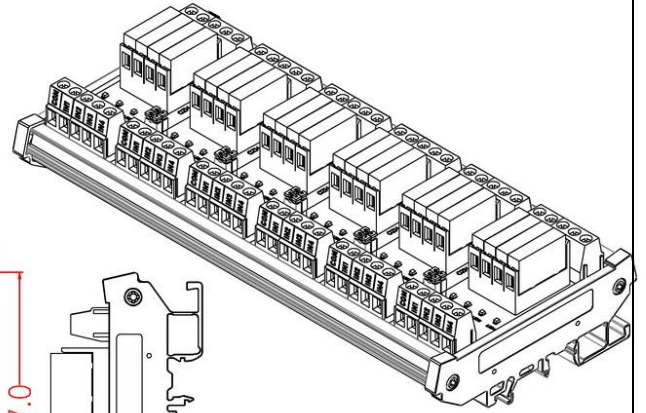
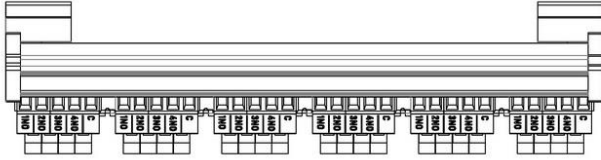
# 16 Channel



size unit:mm



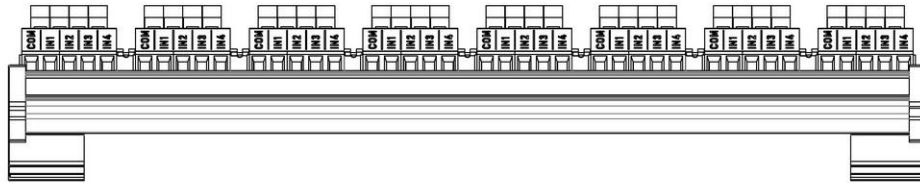
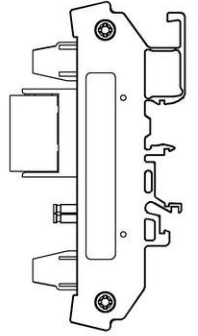
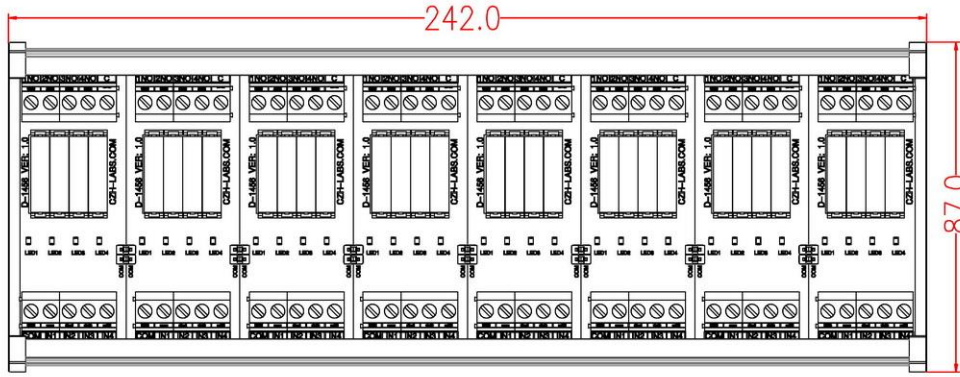
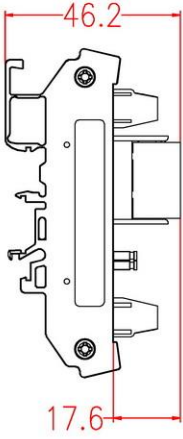
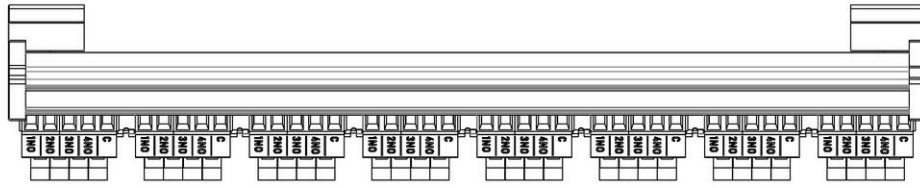
# 24 Channel



size unit:mm



# 32 Channel



size unit:mm

