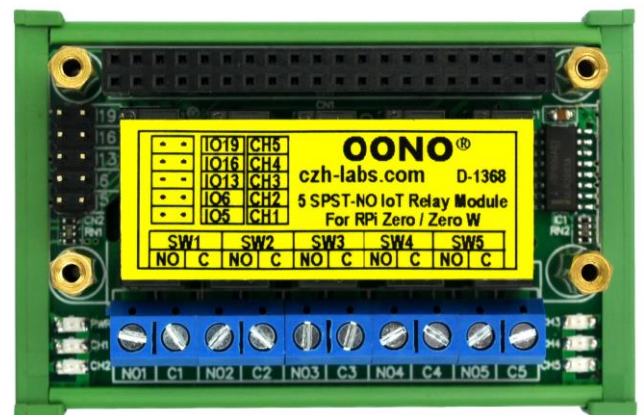


OONO[®]

CZH-LABS.com

5 SPST-NO RPi IoT Power Relay Module for Raspberry Pi Zero / Zero-W

D-1368 Series



Features:

- **Small and sturdy design, with the module you can easily extend Raspberry-Pi projects to IoT/industrial control applications. Support for Raspberry Pi Zero or Pi Zero W (NOTE: the item not include Raspberry Pi).**
- **5 channels SPST-NO power relays (Single Pole Single Throw, Normally Open). Contact rating (each channel): 5Amp/250AC or 3Amp/30VDC.**
- **Power on LED indication, relay action LED indication corresponds to each channel.**
- **High quality fireproof nylon material housing carrier, DIN rail or screw mount versions selectable. DIN rail mount version support 35mm width rail.**
- **Packing list: 1x relay module with housing carrier, 4x M2.5x6mm screws(for Zero module mount), 2x M3x10mm pointed wood screws(only for screw mount version), 1x 2x20pin 2.54mm pin header connector(the connector must be soldered to Raspberry Pi Zero).**

Version:

MD-D1368T-1	----	DIN rail mount version
MD-D1368P-1	----	Screw mount version

Pin Jumper Control Signal Chose:

Short all pin jumpers, GPIO output HIGH relay action, GPIO output LOW relay no action.

GPIO5 control relay 1

GPIO6 control relay 2

GPIO13 control relay 3

GPIO16 control relay 4

GPIO19 control relay 5

Relay:

Part Number: G5NB-1A-E 5VDC Power Relays.

Manufacturer: Omron.

Contact type: SPST-NO(Single Pole Single Throw, Normally Open).

Contact Rating (each channel): 250VAC/5A, or 30VDC/3A.

Terminal Block:

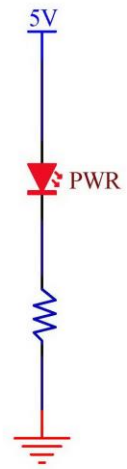
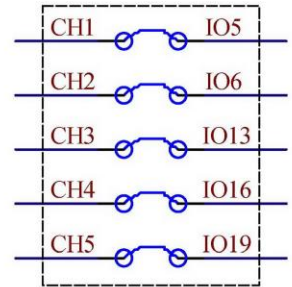
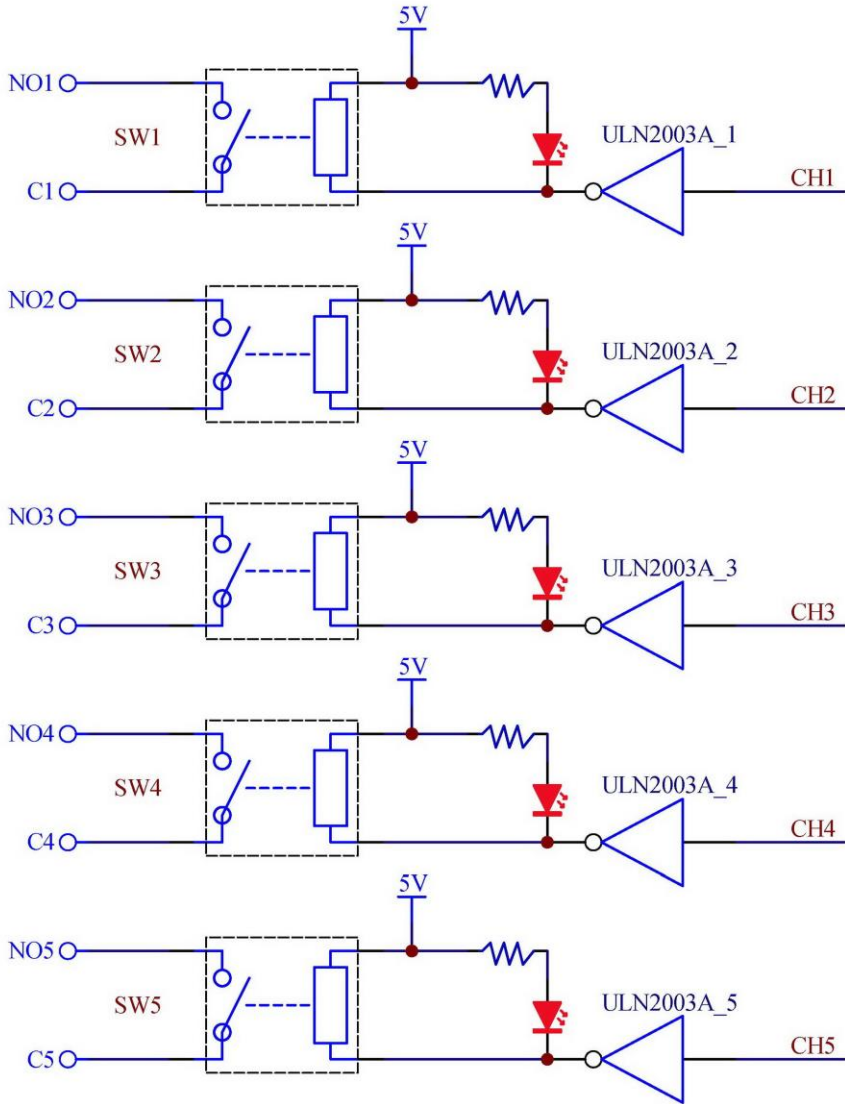
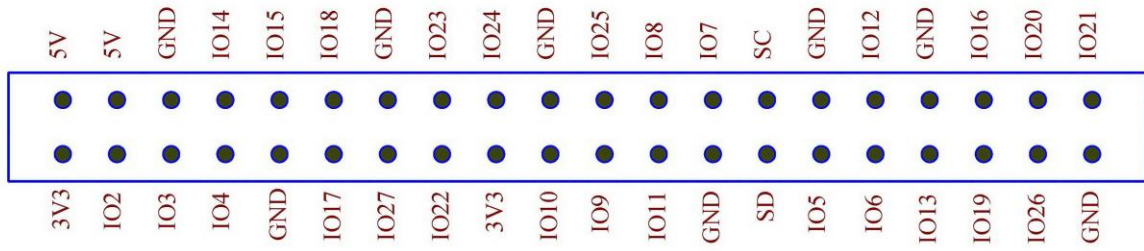
Pitch 5.0mm/0.197"

Strip length 5~6mm, screws - M2.5

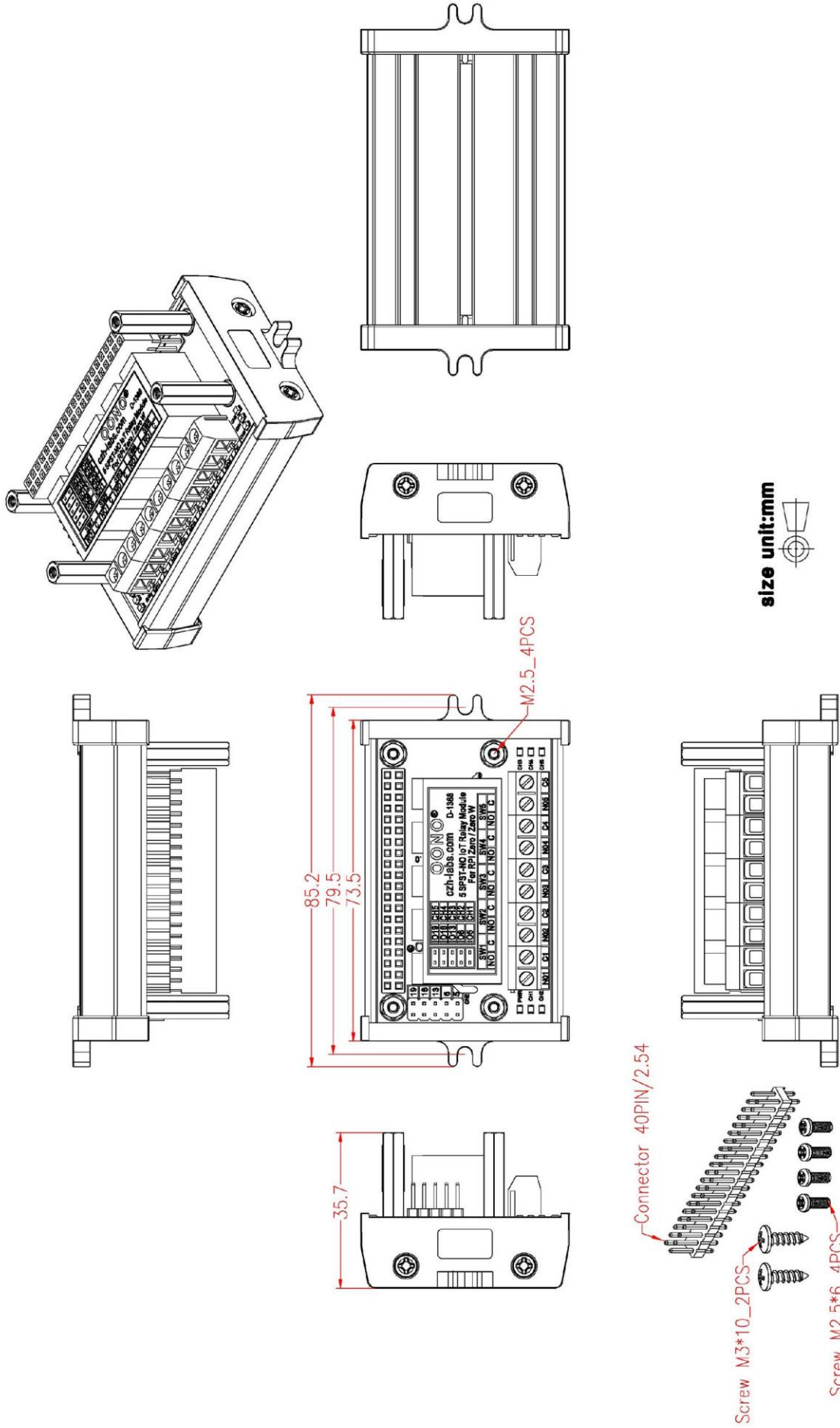
Wire range 28AWG ~ 12AWG / 2.5mm square.

Maximum current 10 Amp (per position)

Simple Schematic(not 100% real schematic):



Dimensions:



size unit:mm