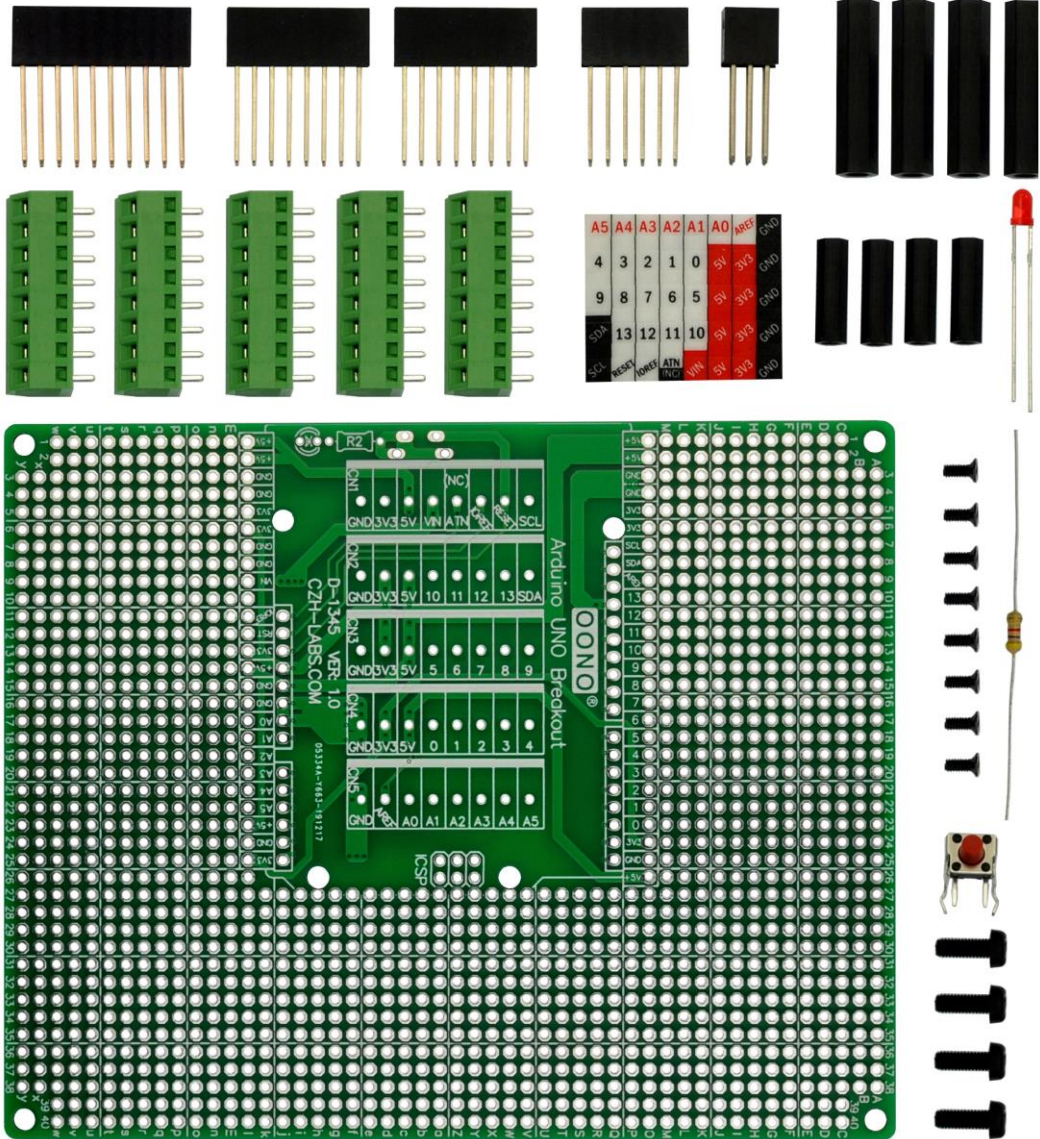


Electronics-Salon

CZH-LABS.com

Prototype DIY PCB Terminal Block Board Kit for Arduino UNO

SKU MD-D1345U-1

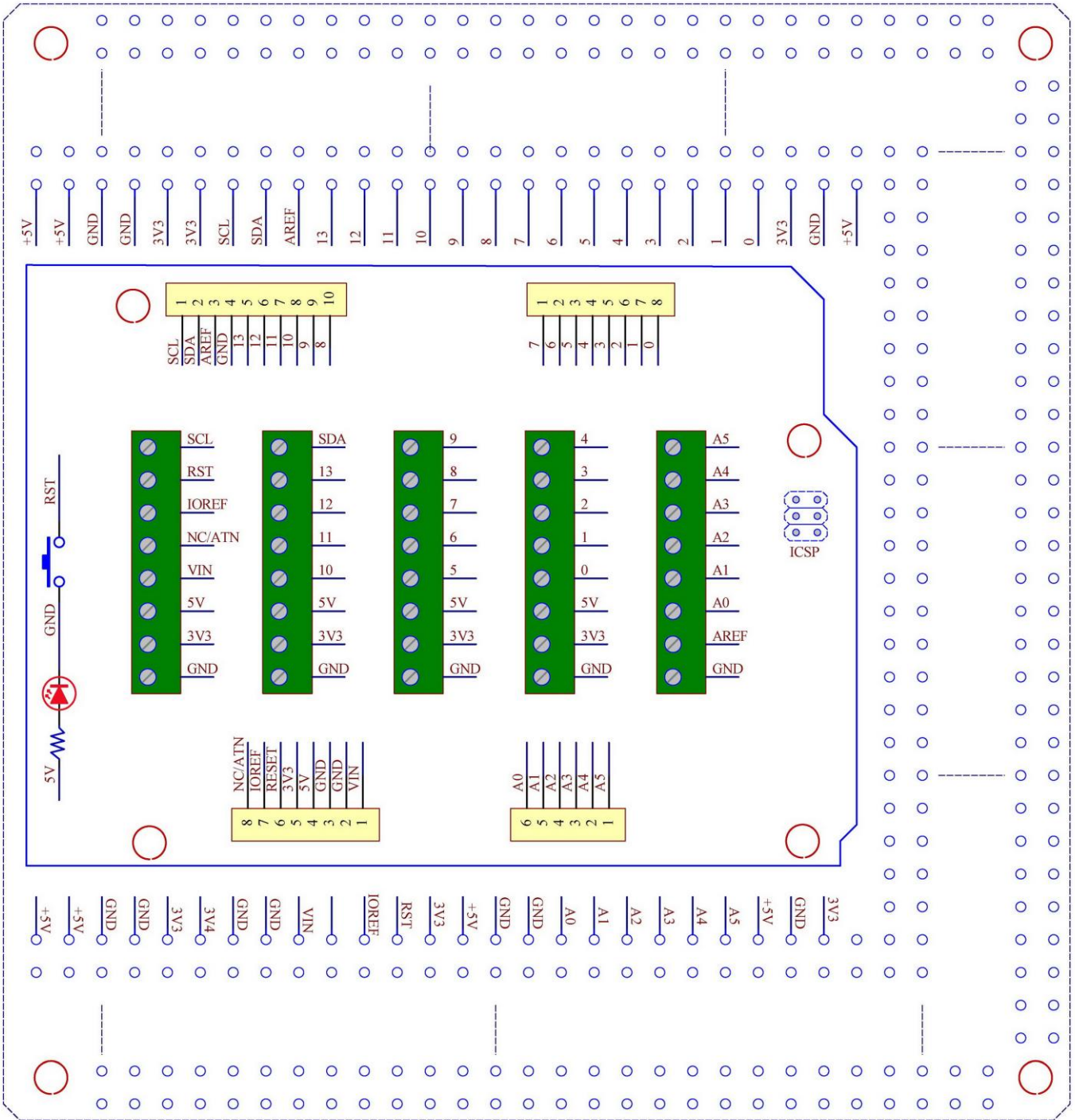


Features:

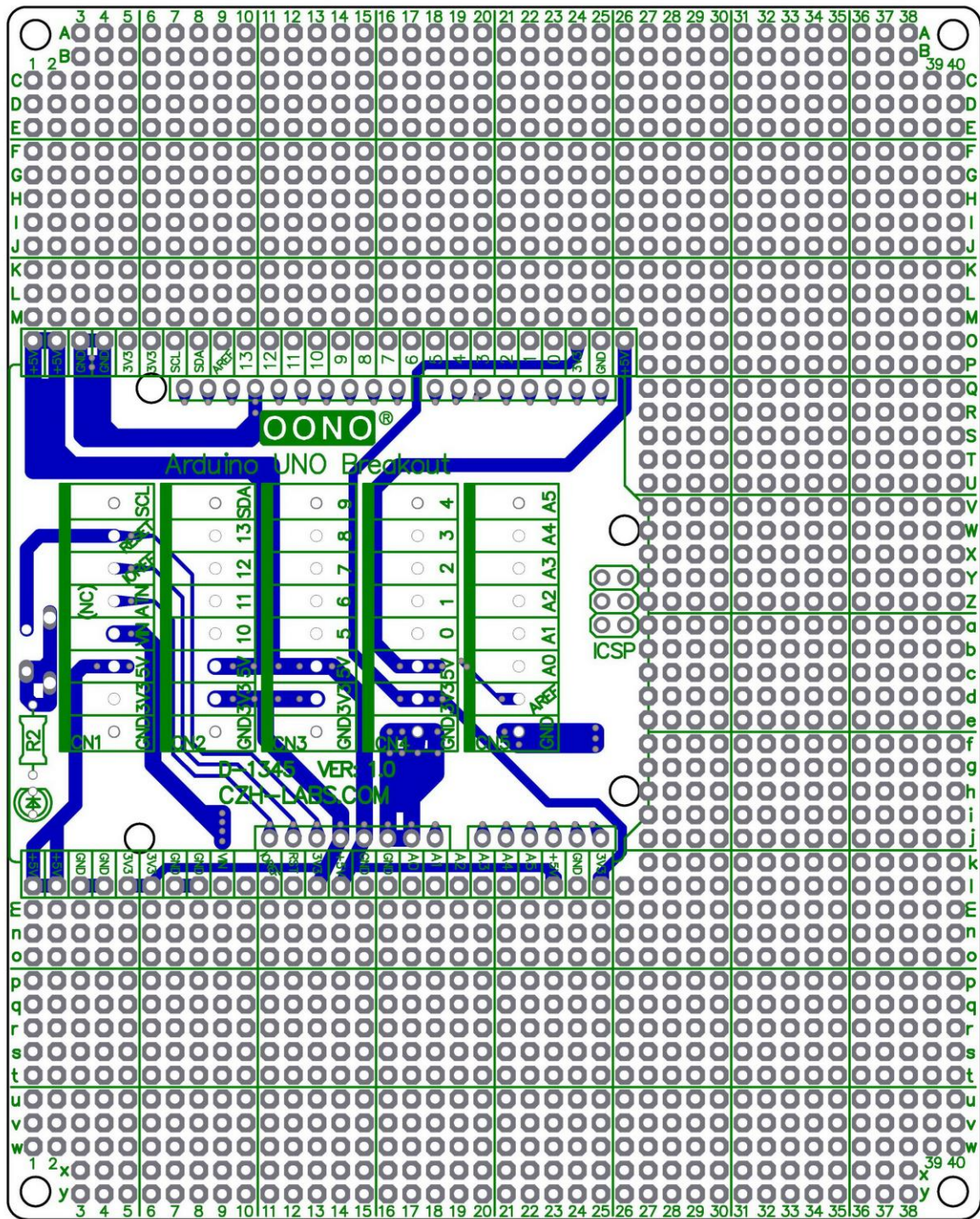
- **Prototype DIY PCB Terminal Block Board Kit for Arduino UNO R3, you can make DIY for your Arduino projects.**
- **The kit include prototype PCB, terminal blocks, terminal block labels, pin head connector, standoffs, screws, reset button switch, resistor and LED. (Note: the item not include Arduino UNO R3 module).**
- **PCB: FR-4 fiber glass PCB, dual copper layers, size 130mm x 104.5mm, pads grid / pitch 2.54mm, hole diameter 1mm.**
- **Terminal block pitch 3.5mm/0.138", wire size range 26AWG to 16AWG, strip length 5mm, screw M2 steel, pin header and cage copper.**
- **soldering and installation instruction video:**

<https://youtu.be/DINFtuj9C1c>

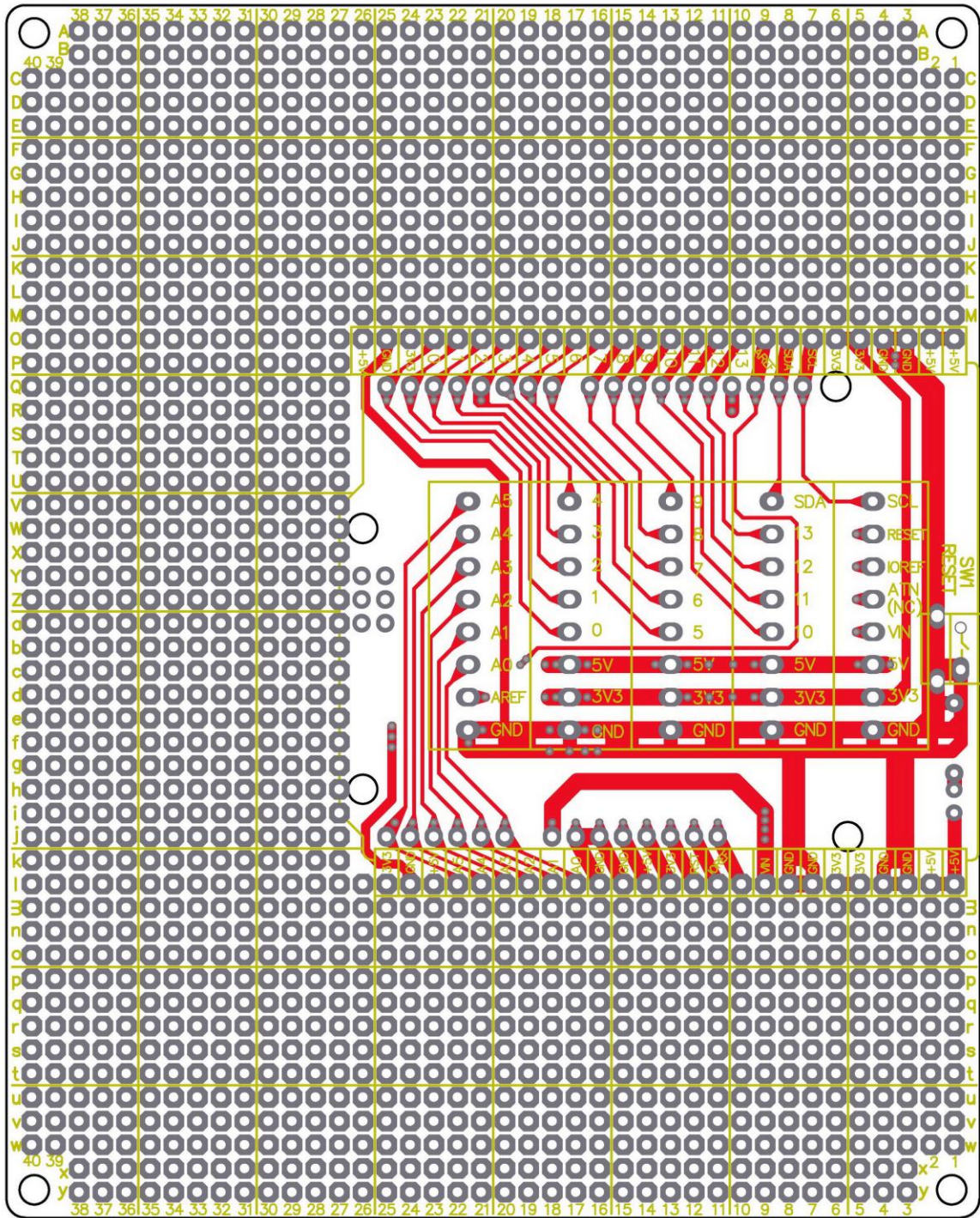
Schematic:



PCB Top Layer View:



PCB Bottom Layer View



Dimensions:

