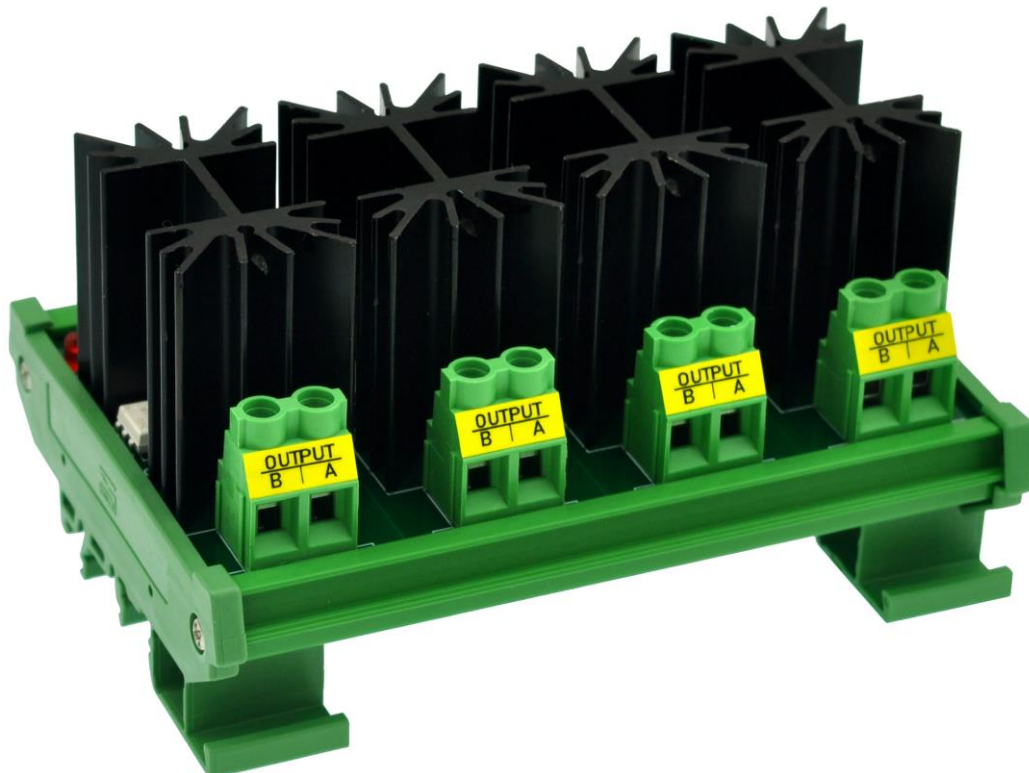


CZH-LABS.com Electronics-Salon

DIN Rail Mount 12 Amp DC-AC Solid State Relay(SSR) Modules

Model: D-1304 Series



Version List:

Part Number / SKU	Channel	Mount
MD-D1304-1	1	Screw hole mount
MD-D1304T/1-1	1	DIN rail mount
MD-D1304T/2-1	2	DIN rail mount
MD-D1304T/3-1	3	DIN rail mount
MD-D1304T/4-1	4	DIN rail mount
MD-D1304T/8-1	8	DIN rail mount

Feature:

- MOC3043 Phototriac and BTA12-600B triac (the heatsink is electrically insulated).
- Input Action Voltage DC 3 to 32V. LED indication for each channel. Anti-reverse protection diode.
- Output Load Voltage range AC 100 to 240V (50/60Hz). Maximum on-state average current: 12 Amp. Isolation: Phototriac. Zero cross: Yes.
- Dual input terminal block, you can flexibility to configure the input control mode: Individual / Common Positive / Common Negative.
- DIN rail mount, Taiwan DINKLE fireproof nylon material DIN rail mount carrier (not China low quality carrier), can support width 35mm / 32mm / 15mm rail. FR-4 fiber glass PCB, dual copper layers.

Characteristic Parameters:

Input Signal Control Terminal:

Action Voltage: 3 ~ 32 VDC.

Current: 6mA at 5VDC, 8mA at 12VDC, 11mA at 24VDC, 13mA at 32VDC.

Turn off voltage: 0 ~ 0.8 VDC.

In-Out isolation surge voltage: 7500V.

Output Terminal:

Load voltage range: 100 to 240 VAC (50/60Hz).

Max. on-state average current: 12 Amp.

Non repetitive surge peak on-state current: 120 Amp (<20mS).

Max. on-state voltage drop: 1.5V.

Max. off-state current: < 2mA / at 220VAC.

Off-state max. allow voltage: 400V.

Isolation: Phototriac.

Zero cross: Yes.

Load type: General purpose.

Input terminal block:

Wire range: 24 ~ 12 AWG / 2.5mm square. Strip length: 7mm. Screws - M2.5, steel, Cr3+ Zn plated. Pin header and Cage - Brass.

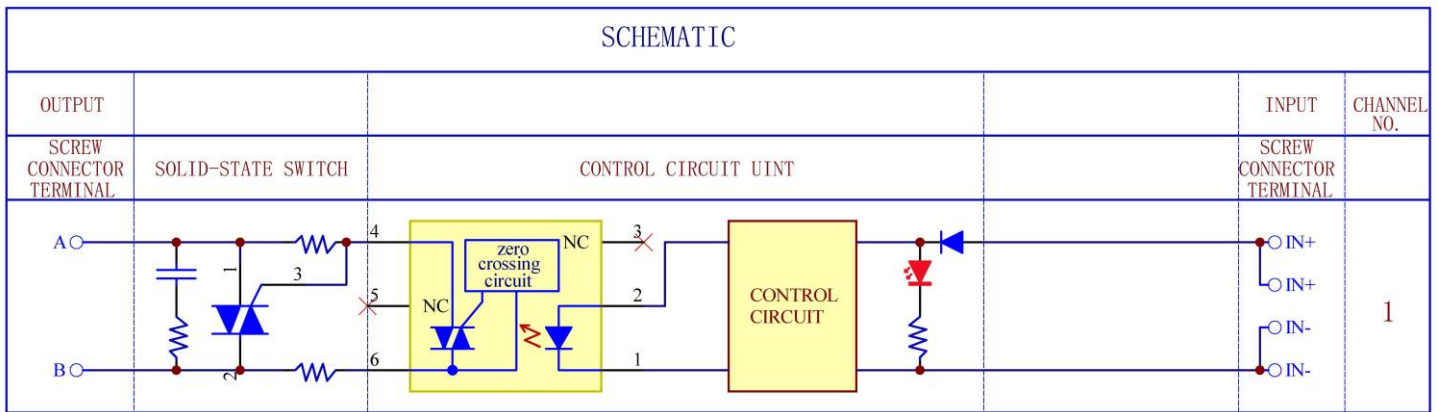
Output(load) terminal block:

Wire range 26AWG ~ 10AWG / 4mm square, Strip length 8mm, Screws - M3, steel, Cr3+ Zn plated. Pin header and Cage - Brass.

Schematic:

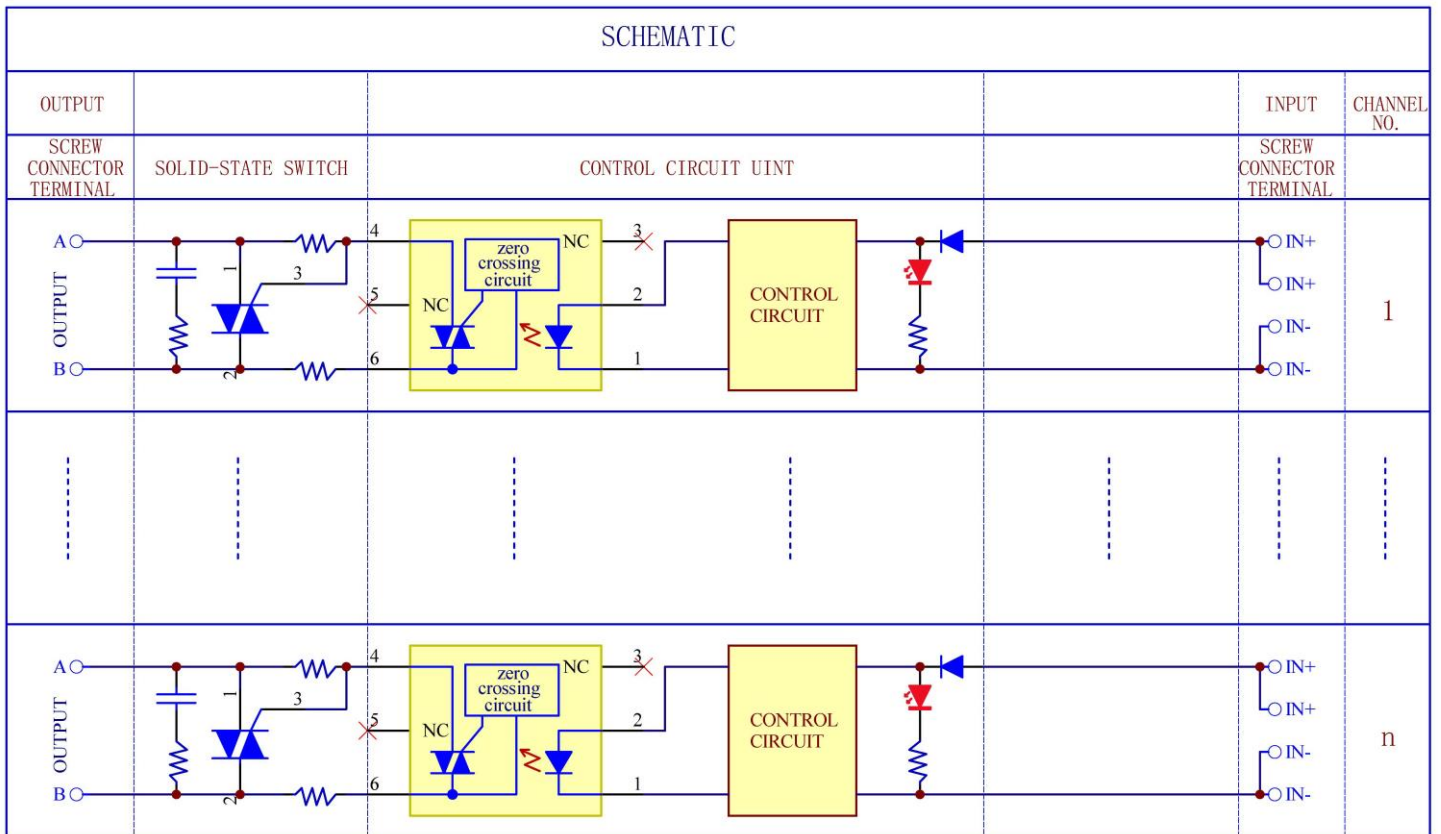
For 1 Channel

SCHEMATIC



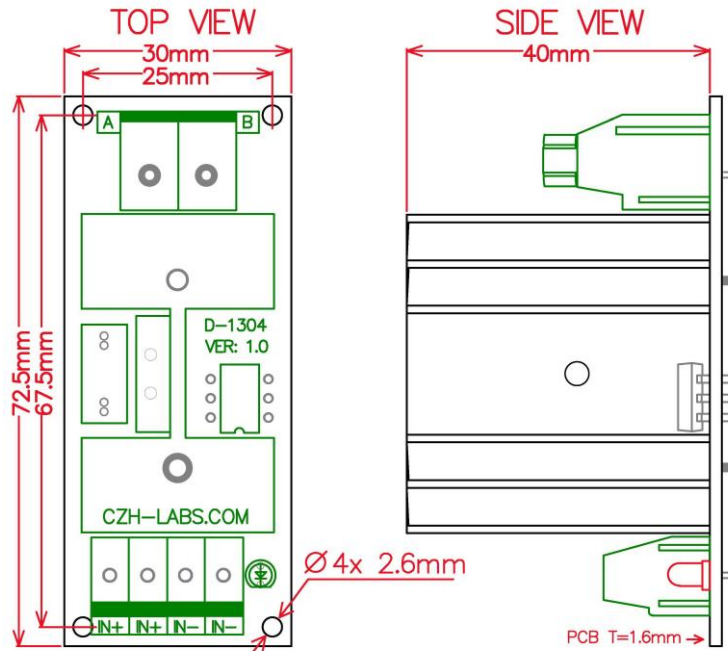
For 2 3 4 8 Channels

SCHEMATIC

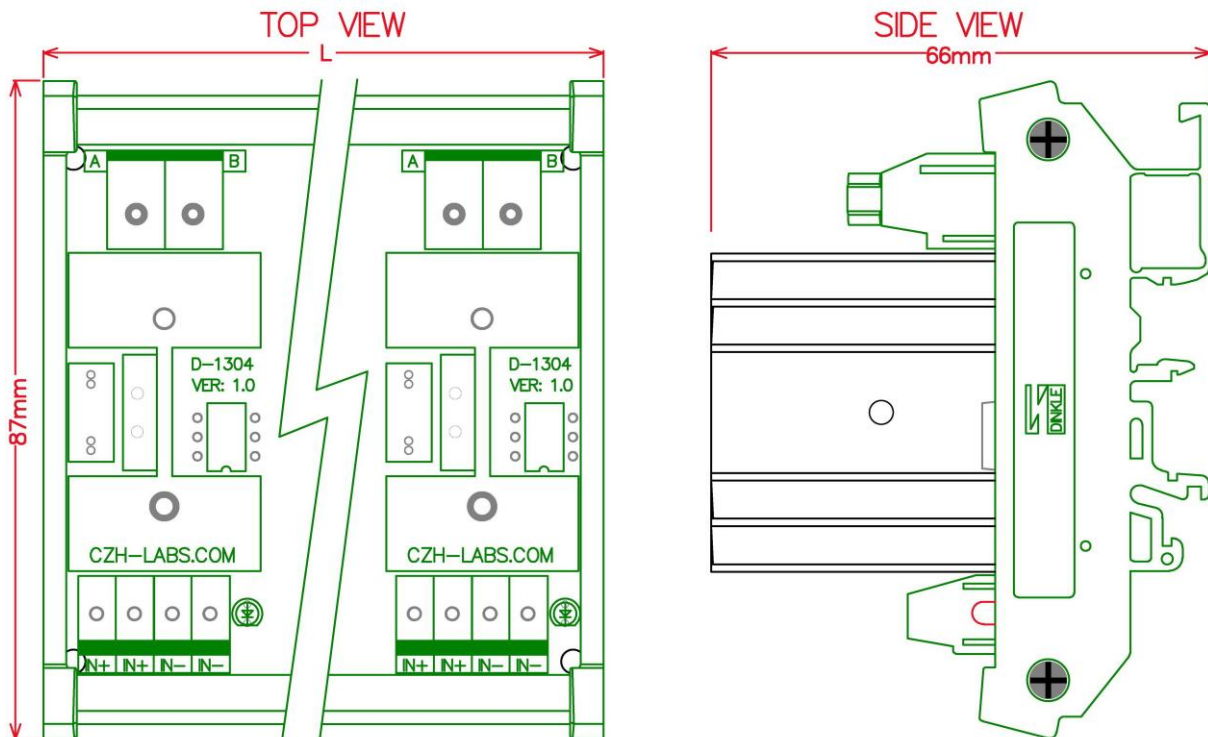


Dimensions:

For Screw Mount Version



For DIN Rail Mount Version



CHANNEL NO.	1	2	3	4	8
L	42mm	62mm	92mm	122mm	242mm