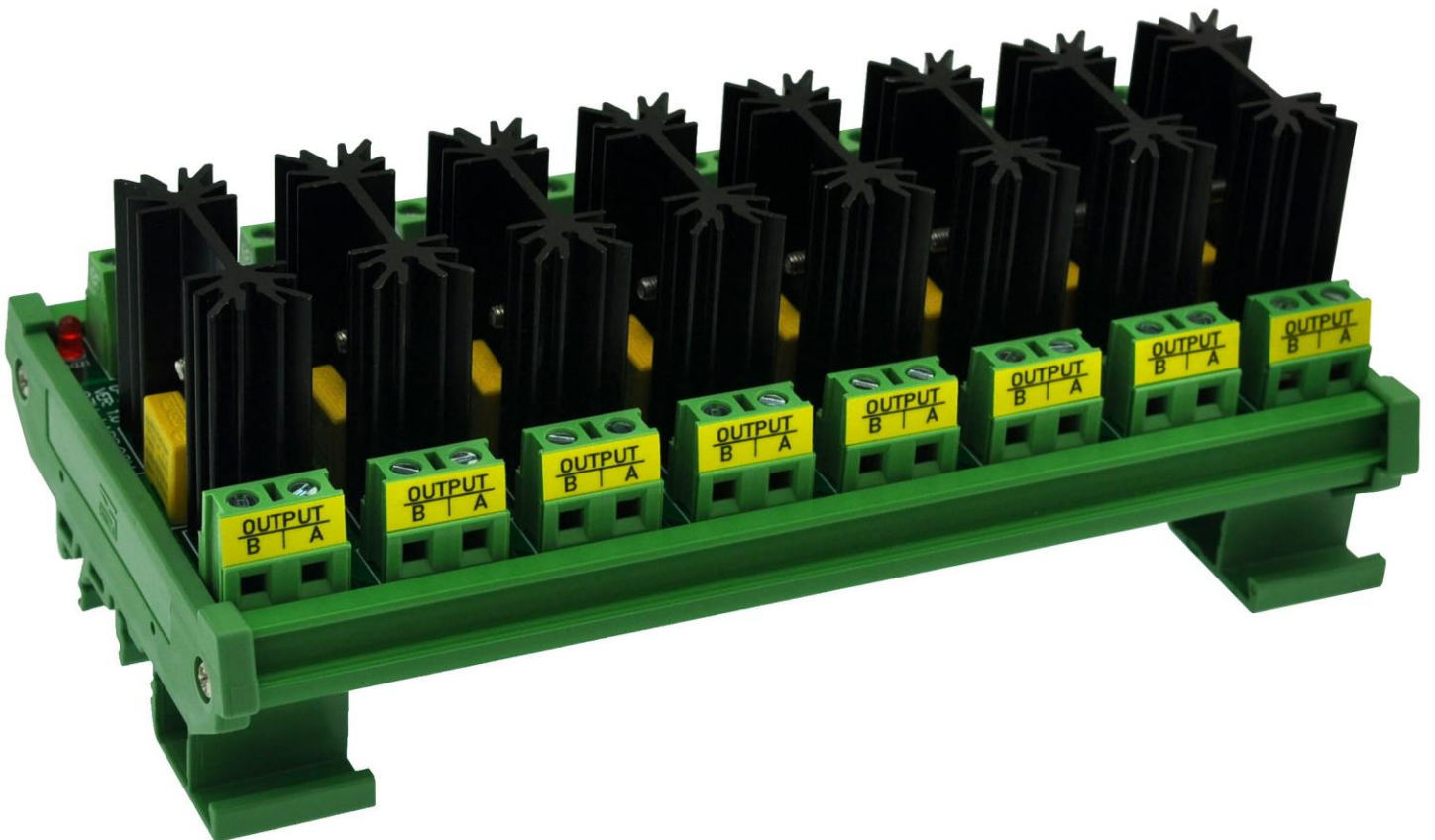


# CZH-LABS.com Electronics-Salon

**DIN Rail Mount 8 Amp DC-AC Solid State Relay(SSR) Modules**

**Model: D-1303 Series**



<https://www.czh-labs.com>

[lisheng@chunzehui.com](mailto:lisheng@chunzehui.com)

**Version List:**

Part Number / SKU	Channel
MD-D1303T/1-1	1
MD-D1303T/2-1	2
MD-D1303T/3-1	3
MD-D1303T/4-1	4
MD-D1303T/8-1	8

**Feature:**

- MOC3043 Phototriac and BTA12-600B triac (the heatsink is electrically insulated).
- Input Action Voltage DC 3 to 32V. LED indication for each channel. Anti-reverse protection diode.
- Output Load Voltage range AC 100 to 240V (50/60Hz). Maximum on-state average current: 8 Amp, maximum on-state current 12 Amp (< 10 seconds). Isolation: Phototriac. Zero cross: Yes.
- Terminal Block: Wire range: 24 ~ 12 AWG / 2.5mm square. Strip length: 7mm. Screws - M2.5, steel, Cr3+ Zn plated. Pin header and Cage - Brass.
- DIN rail mount, Taiwan DINKLE fireproof nylon material DIN rail mount carrier (not China low quality carrier), can support width 35mm / 32mm / 15mm rail. FR-4 fiber glass PCB, dual copper layers.

**Characteristic Parameters:**

Input Signal Control Terminal:

Action Voltage: 3 ~ 32 VDC.

Current: 6mA at 5VDC, 8mA at 12VDC, 11mA at 24VDC, 13mA at 32VDC.

Turn off voltage: 0 ~ 0.8 VDC.

In-Out isolation surge voltage: 7500V.

Output Terminal:

Load voltage range: 100 to 240 VAC (50/60Hz).

Max. on-state average current: 8 Amp.

Max. on-state current: 12 Amp (< 10 seconds).

Non repetitive surge peak on-state current: 120 Amp (<20mS).

Max. on-state voltage drop: 1.5V.

Max. off-state current: < 2mA / at 220VAC.

Off-state max. allow voltage: 400V.

Isolation: Phototriac.

Zero cross: Yes.

Load type: General purpose.

Terminal block specifications:

Wire range: 24 ~ 12 AWG / 2.5mm square.

Strip length: 7mm.

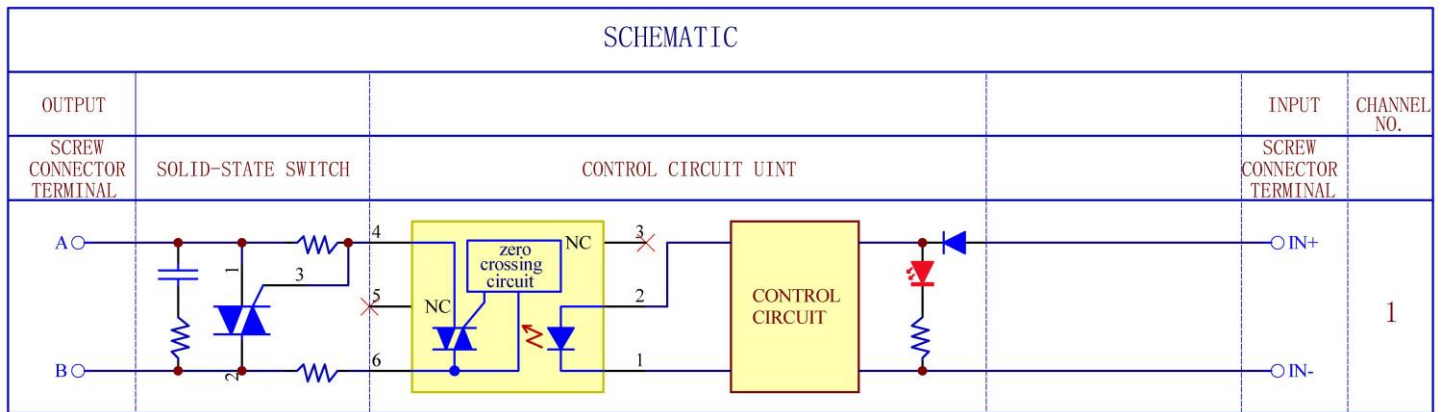
Screws - M2.5, steel, Cr3+ Zn plated.

Pin header and Cage - Brass.

# Schematic:

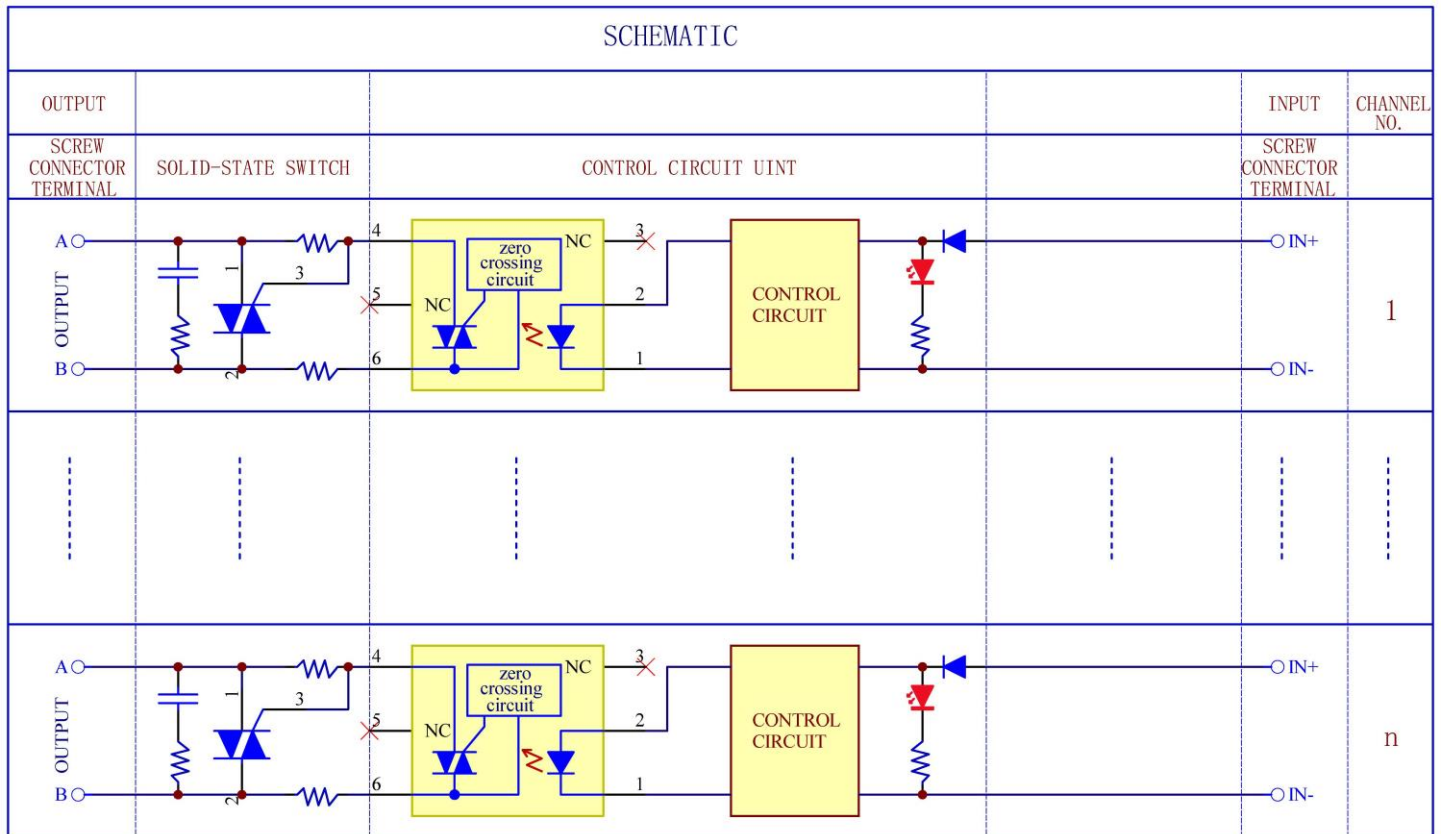
## For 1 Channel

### SCHEMATIC



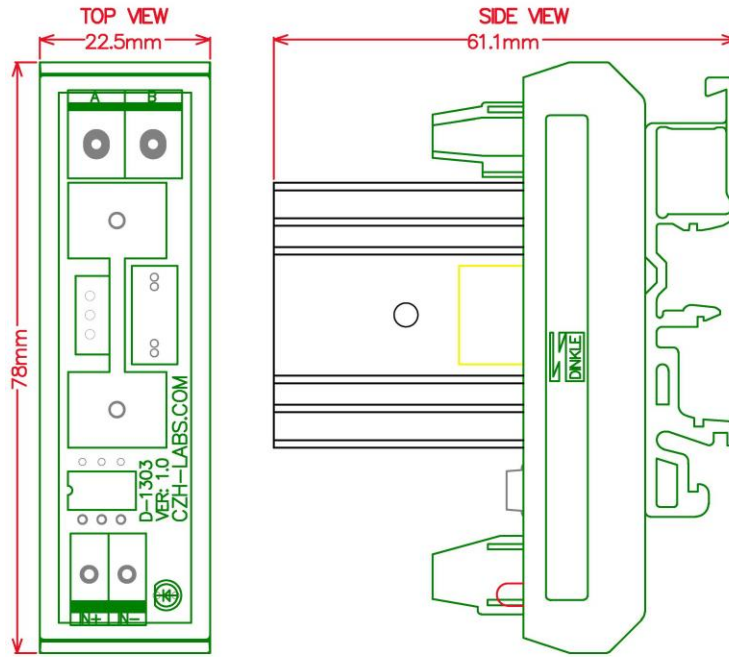
## For 2 3 4 8 Channels

### SCHEMATIC

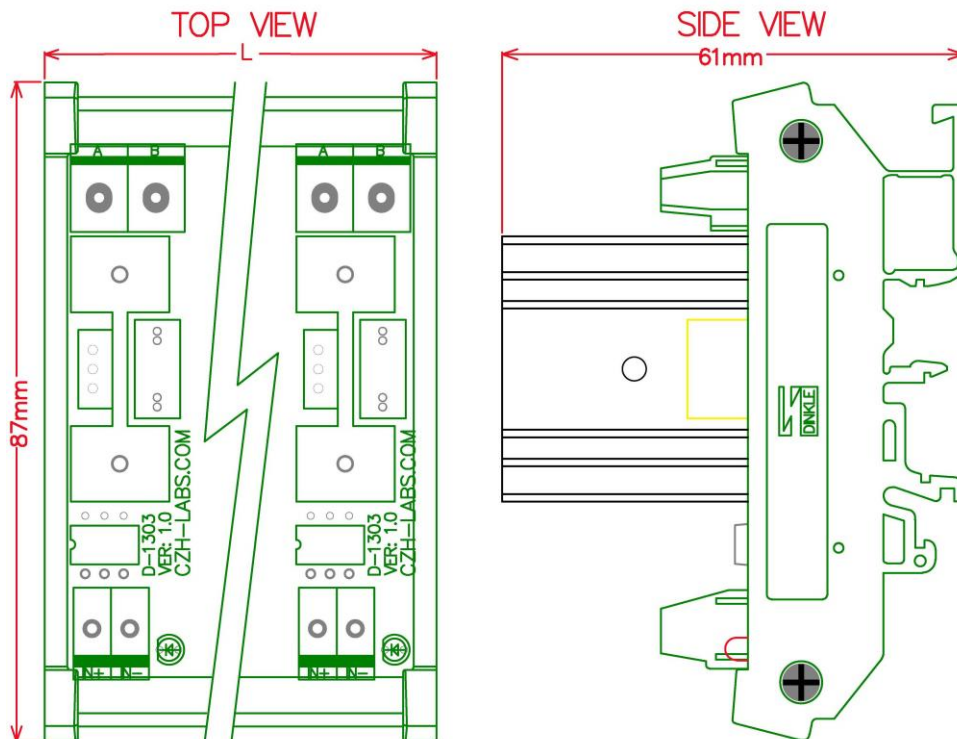


**Dimensions:**

**For 1 Channel**



**For 2 3 4 8 Channels**



CHANNEL NO.	2	3	4	8
L	42mm	62mm	82mm	162mm