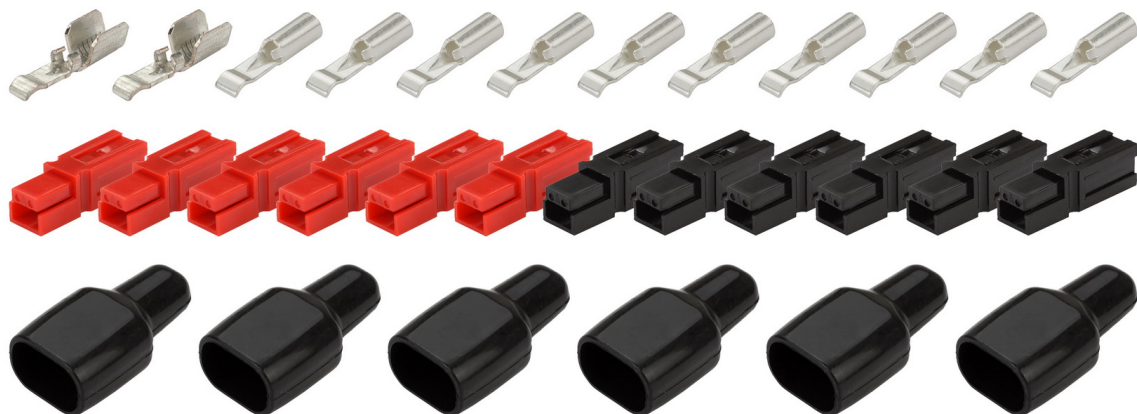
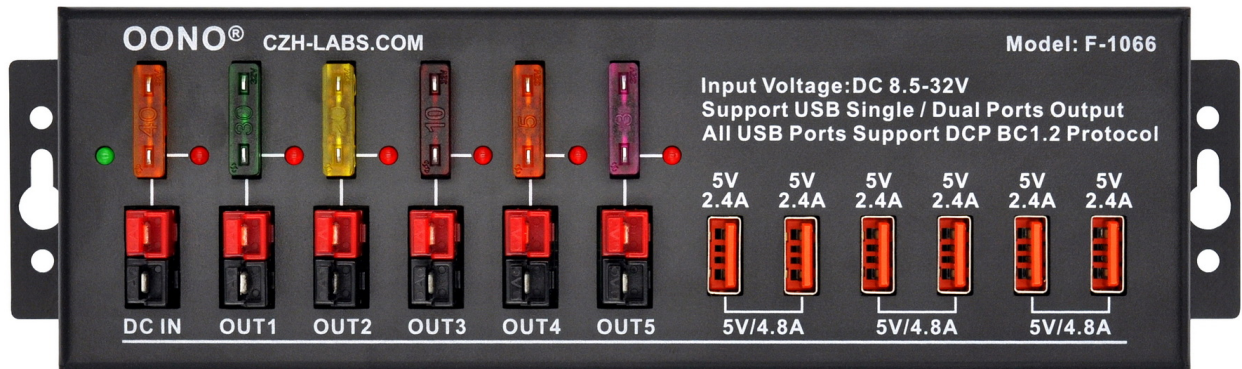


OONO[®]

CZH-LABS.com

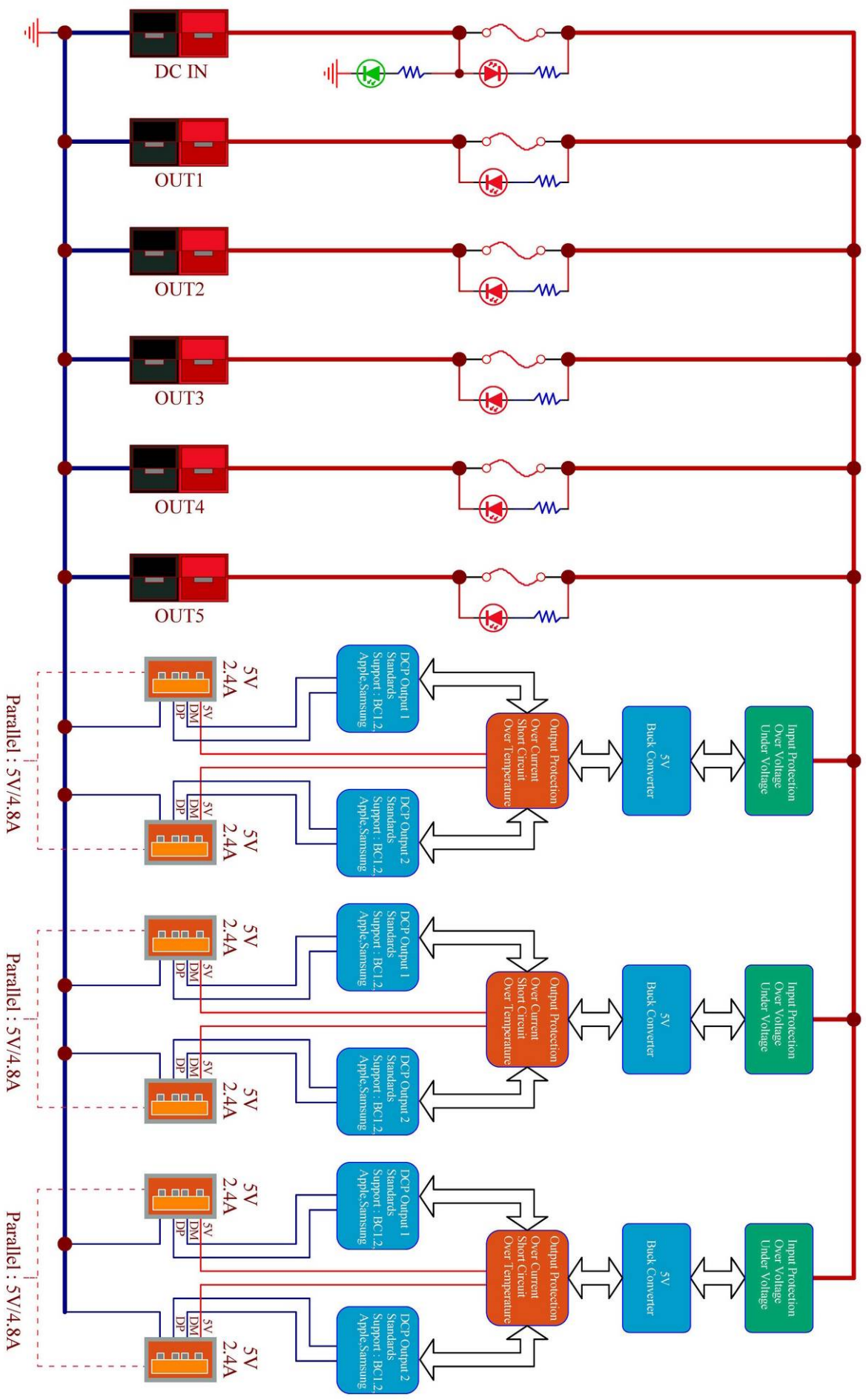
**40Amp DC Power Splitter Distribution Module
with 5 Powerpole Ports and 6 USB Ports Output**

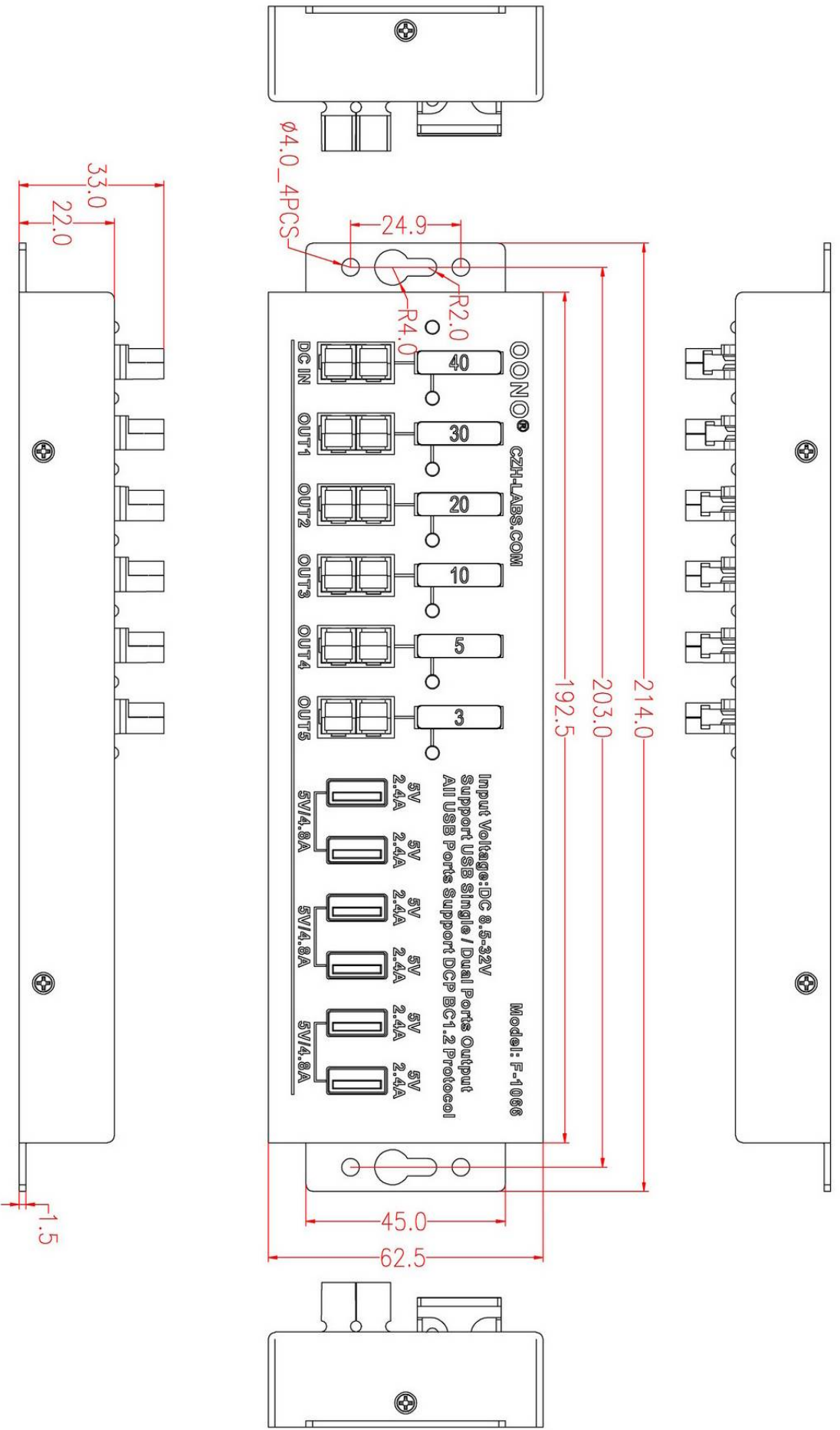
Model: F-1066



Features:

- **Input: Operating voltage 8.5 to 32VDC. Maximum input current 40 Amp, fuse 40 Amp. No-load quiescent current: < 8mA(at 13.8V).**
- **Powerpole output ports: 5 output ports, 1*30Amp 1*20Amp 1*10Amp 1*5Amp 1*3Amp, you can replace these fuses, but the maximum output current of each port is 30Amp, total maximum output current 40Amp.**
- **USB output ports: 6 USB output ports, output voltage 5VDC, output maximum current 2.4Amp for each port. Support dual ports parallel output 4.8Amp. Support USB DCP BC1.2 protocol, support Apple and Samsung protocol. The conversion efficiency of the internal circuit is >90%.**
- **With power indicator LED, with fault indicator LED for each fuse. High-quality fuse holders, you can very easy to replace fuse from the outside, ATC/ATO auto fuses are easy to get and are available in 10 values from 1 to 40 Amp.**
- **Enclosure: High quality aluminum enclosure, thickness 1.5mm / 0.06". Support screw mount, wall mount, of course can also be placed on the desktop. If you purchase together our CASE-015 DIN adapter bracket, it can also be support 35mm, 32mm or 15mm DIN rail mounting.**
- **Packing list: 1x F-1066 distribution module, 6 black powerpole housings, 6 red powerpole housings, 6 PVC cover flame retardant sleeve, 10 silver plated copper 30A 14-12AWG powerpole contacts, 2x tinned copper 45A 12-10AWG powerpole contacts.**
- **Overall dimensions (maximum, w/o cables): L 214mm x W 62.5mm x H 33mm / 8.43" x 2.46" x 1.30". Weight: 260g / 9.2 oz.**





00NO® czh-labs.com	
MODEL NO: F-1066	SKU: MD-F1066-1
PROJECTION:	UNIT: mm